

MODELS

KB301-SS BABY CHANGING TABLES

KB301-01SS

Koala Kare Vertical Baby Change Table | Stainless Veneer | Grey

KB301-05SS

Koala Kare Vertical Baby Change Table | Stainless Veneer | White Granite



*KB301-05SS Shown



Global-Mark.com.au®
Sourced/ Supplied under QMS





KB301-SS

Operations Instructions

Please Note

To assure proper installation, it is suggested that a qualified person or carpenter install the Koala Baby Changing Station. Koala Kare Products will not be responsible if the station is not installed properly. Koala Baby Changing Stations have been tested to hold a substantial static load. The unit must be attached to a permanent wall that is capable of holding a substantial load. The maximum recommended total weight for this baby changing station is 11kg. Excessive weight may cause a hazardous or unstable condition to exist.

Inspection Criteria

A properly maintained baby changing station:

- Opens and closes smoothly.
- Offers parents liners through a fully stocked liner dispenser. (Dispenser built into unit.)
- Provides a clean, convenient place for customers to attend to their children.

EN 12221:2008+A1:2013

 **WARNING:** Do not leave child unattended.

All assembly fittings shall always be correctly tightened and checked regularly.

Be aware of the risk of open fire and other sources of strong heat, such as electric bar fires, gas fires, etc. in the near vicinity of the changing unit.

Do not leave the child unattended. The changing unit is intended for infants age up to 12 months, with a maximum weight of 11kg. Do not use changing unit if any parts are broken or missing.

A changing pad is not required for this product.

Additional or replacement parts shall only be obtained from the manufacturer or distributor.

Unit should be cleaned once or more daily with a clean nylon brush and spray disinfectant.



Replacement Parts

For a list of replacement parts for this product, (such as straps, shocks and labels) please visit www.koalabear.com.

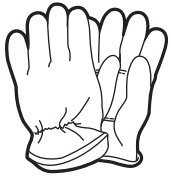
Replacement parts and additional liners can be purchased from your local distributor or direct from Koala at www.koalabear.com.



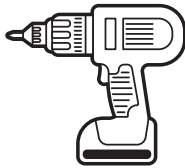
KB301-SS

Installation Instructions

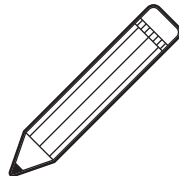
Tools Needed



Safety Gloves



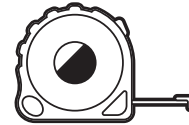
Drill



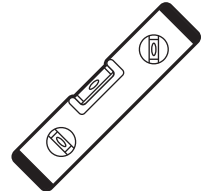
Pencil



Wall Stud Finder



Measuring Tape



Level



Safety Glasses



Phillips Head
Screwdriver

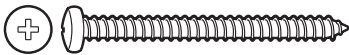


1/8" (3mm)
(regular & masonry)
drill bits

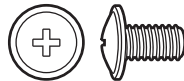


7/32" (6mm)
(regular & masonry)
drill bits

Hardware Provided



1/4" x 3"
Pan Head Wood Screws
Quantity: 6



8-32" x 5/16"
Flange Button Phillips Head Screws
Quantity: 4



9/32" x 7/8"
Flat Head Phillips Screws
Quantity: 3



Scan the QR code to view the installation video and to find product resources. Also available at:

www.koalabear.com/product-catalog/kb301-ss/





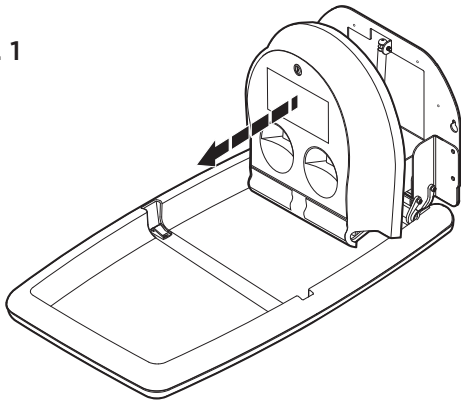
KB301-SS

Installation Instructions

Step 1:

- Inspect contents and remove changing station from the shipping container and check for any freight damage. If damage is found, please call Koala Kare Products' Customer Service at 888.733.3456.
- Identify the best location for installing the unit.

Fig. 1



Step 2:

- Remove the bed and chassis from the box. Open the main unit by pulling up on the frame and remove the plastic liner dispenser. Set it to one side. **Fig. 1**
- Make sure you have taken into consideration the operating clearance of 1 3/4" (45mm) on both sides of the exposed chassis and 36 5/8" (238mm) from wall surface when open.

For Wood Stud Wall

- Measure from the floor 37 7/16" (951mm) on stud center and mark the wall. The mounting holes are designed for 16" (406mm) stud centers. Ensure the locations you have marked for the mounting holes are level before drilling. **Fig. 2** Drill pilot holes for keyhole mounting using a 1/8" regular drill bit.
- If the wall has wooden studs that are not on 16" (406mm) centers, you will need to use toggles to secure one side of the unit. The other side should be secured to the stud using the screws provided. You must allow for space inside the wall for the toggles to turn. This will vary depending on the toggles used.

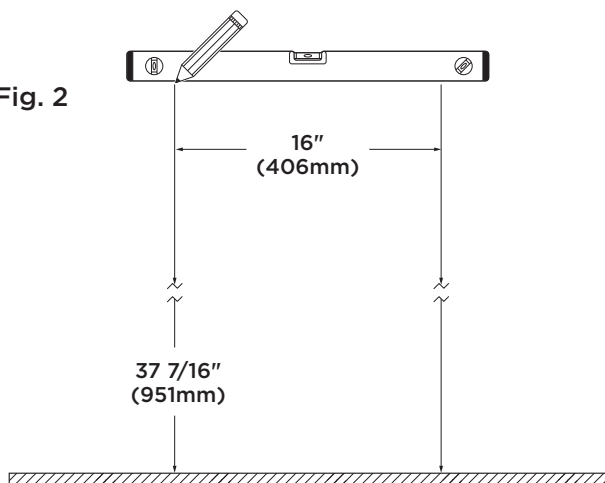
For Masonry or Tile over Stud Wall

- Use a 7/32" (5mm) masonry drill bit for the pilot hole until you hit the stud. Change bit to 1/8" (3mm) regular drill bit.

For Metal Stud or Concrete Block

- If the wall has metal studs or an underlying surface of concrete block, you will need to use toggles to secure one side of the unit. The other side should be secured to the stud using the screws provided. You must allow for space inside the wall for the toggles to turn. This will vary depending on the toggles used.

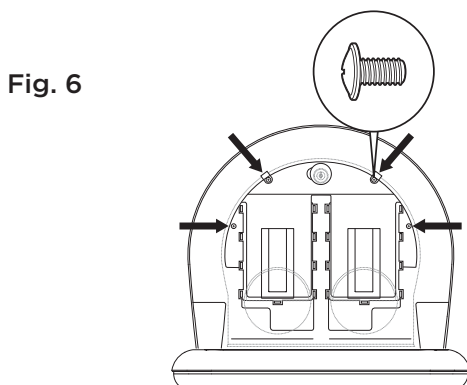
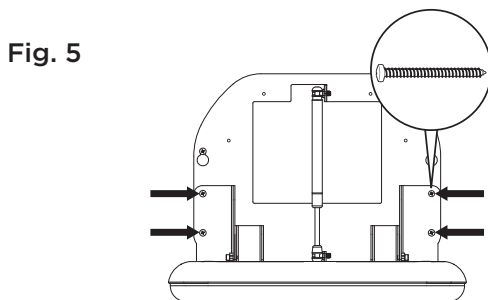
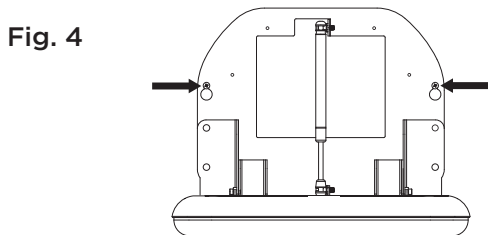
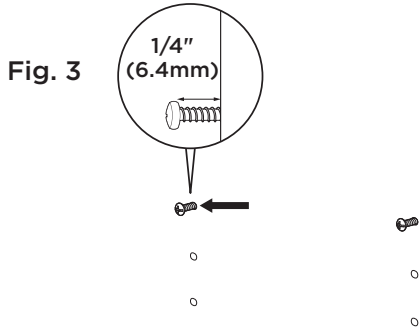
Fig. 2





KB301-SS

Installation Instructions



Step 3:

- Mount bed and chassis by screwing two of the mounting screws into the pilot holes leaving 1/4" (6.4mm) exposed to allow keyhole slots to be easily mounted over the screw heads. **Fig. 3**
- Place chassis over screws. **Fig. 4**
- After securing the unit using the keyhole slots, verify that the unit is level. Tighten top two screws so that they are flush with the wall.
- Use the four lower holes as a guide to mark and drill pilot holes. Use remaining four screws and four washers to complete installation of bed and mounting bracket. Insert washers over lower four screws. **Fig. 5**
- All **six** screws and four washers must be properly mounted to the chassis.

Step 4:

- To install liner dispenser ensure liner dispenser is free from damage. Remove key, unlock, and open liner dispenser lid. This will expose liner dispenser mounting holes.
- Line up dispenser mounting holes onto chassis and secure with the four screws provided. **Fig. 6** Close and lock the liner dispenser door.

Step 5:

- Clean work area and inspect unit to ensure it opens and closes smoothly.

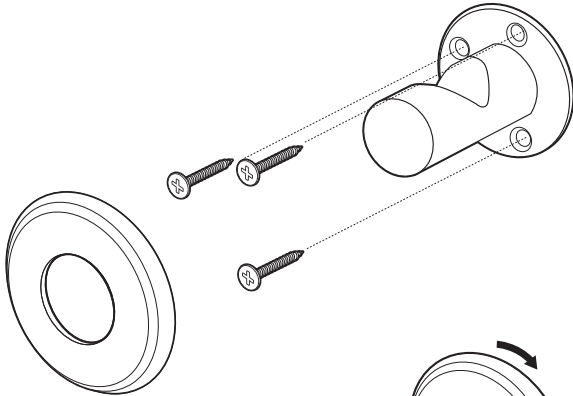


KB301-SS

Installation Instructions

Step 6:

Fig. 7



- To install the bag hook, measure up 44" (1118mm) from finished floor in the desired location and mark the wall.
- Position the bag hook on the wall so that the top of the mounting plate is level with the 44" (1118mm) mark.
- Position the bag hook over a wall stud for optimal strength.
- Mark then predrill the mounting holes. **Fig. 7**
- Use the provided screws to secure the bag hook in position, then take the escutcheon plate and screw it over the mounting plate to cover the mounting screws.

Fig. 8

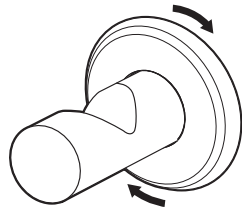


Fig. 8

Koala Kare Products
A Division of Bobrick

6982 South Quentin Street, Centennial, CO 80112-3945

Main: 303.539.8300 | **Toll Free:** 888.733.3456 | **Fax:** 303.539.8399

Website: koalabear.com | **Email:** customerservice@koalabear.com