

## Model RBA4601-061

### Materials & Features

Raffaello Stainless Steel Shower T-Rail is accessible compliant when installed in accordance with AS1428.1 and local building codes. Rails are ambidextrous and vertical rail can be positioned left, right or centre.

### Technical Detail

Rail: 32mm [Dia], 304 Stainless Steel  
 Finish: White Antibacterial  
 Fixings: Included  
 SWL: 150kgs



\*Potential Installation for RH Shown

### Available Models

**RBA4601-061** Raffaello Shower T-Rail | White

### Related Products

**RBA4601-068** Raffaello Shower T-Rail | Matte Black  
**RBA4601-069** Raffaello Shower T-Rail | Chrome  
**RBA4110-999-011** ënda Shower Rail Handset Slider | Chrome

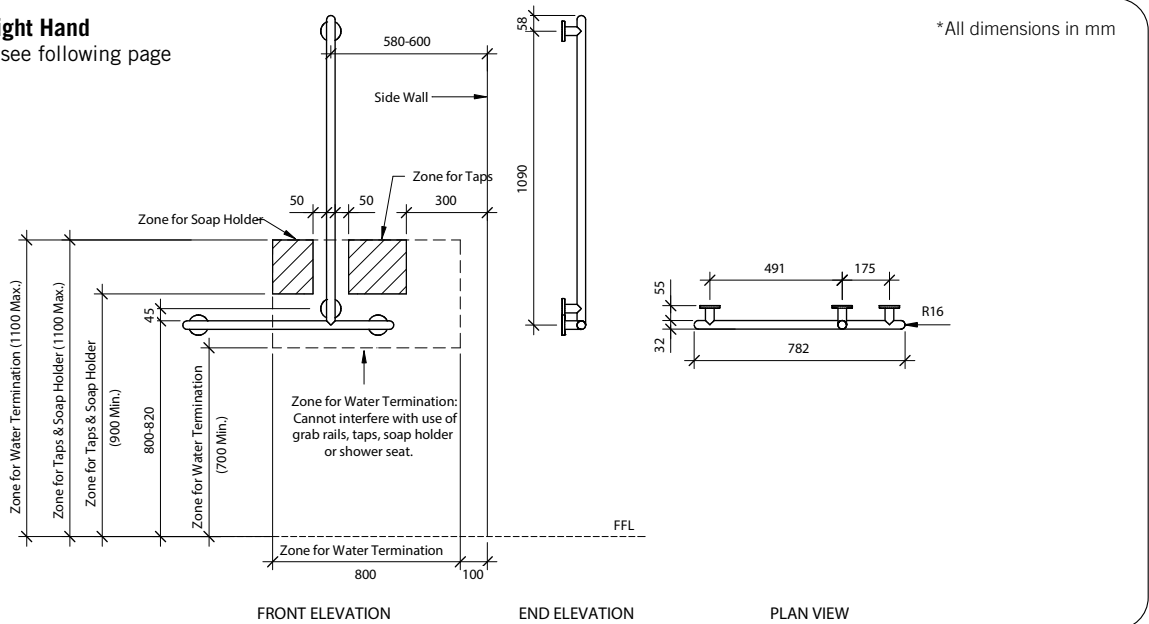
### Installation

Warning: Grab rails are no stronger than the anchors or walls to which they are attached and must be firmly secured in order to support the loads for which they are intended. Refer to local codes and Installation Instructions for location of fixing points, method of attachment, etc.

**Important:** Installation instructions and current rough-in details should be furnished with each fixture. Do not rough in without certified dimensions. Dimensions are subject to manufacturer's tolerance of +/-10mm.

### Potential Installation - Right Hand

For Left Hand installation see following page



As improvements in the design and performance of RBA products are continuous, specifications may be subject to change without notice. The illustrations and descriptions herein are applicable to production as of the date of this Technical Data Sheet. Revised 12/22 © 2022 by RBA Group TD/Model RBA4601-061/1222

## Model RBA4601-061

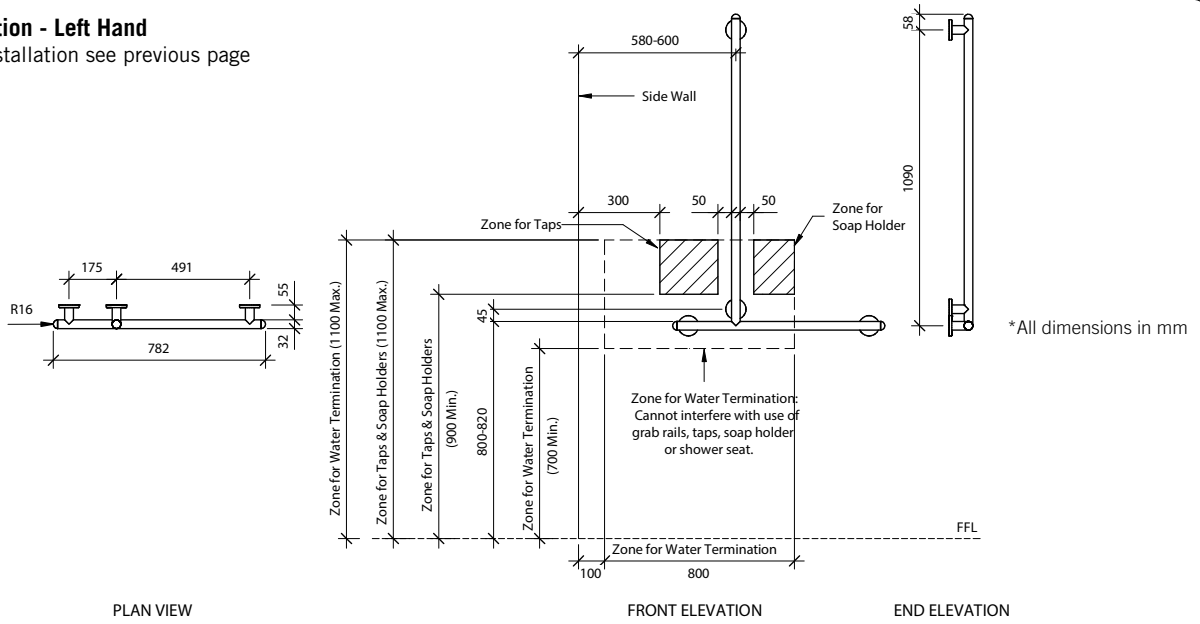


\*Potential Installation for LH Shown

**Important:** Installation instructions and current rough-in details should be furnished with each fixture. Do not rough in without certified dimensions. Dimensions are subject to manufacturer's tolerance of +/-10mm.

### Potential Installation - Left Hand

For Right Hand installation see previous page



PLAN VIEW

FRONT ELEVATION

END ELEVATION



As improvements in the design and performance of RBA products are continuous, specifications may be subject to change without notice. The illustrations and descriptions herein are applicable to production as of the date of this Technical Data Sheet. Revised 12/22 © 2022 by RBA Group TD/Model RBA4601-061/1222