

## Model RBA4600-009 Series

### Materials & Features

Goman stainless steel straight grab rails are available in a range of lengths and meet the requirements of AS1428.1. The snap flange cover conceals the fixings.



### Technical Detail

Rail: 32mm [Dia], 304 Satin Stainless Steel  
 Fixings: Included  
 Finish: Chrome Plated  
 SWL: 150kg

### Available Models

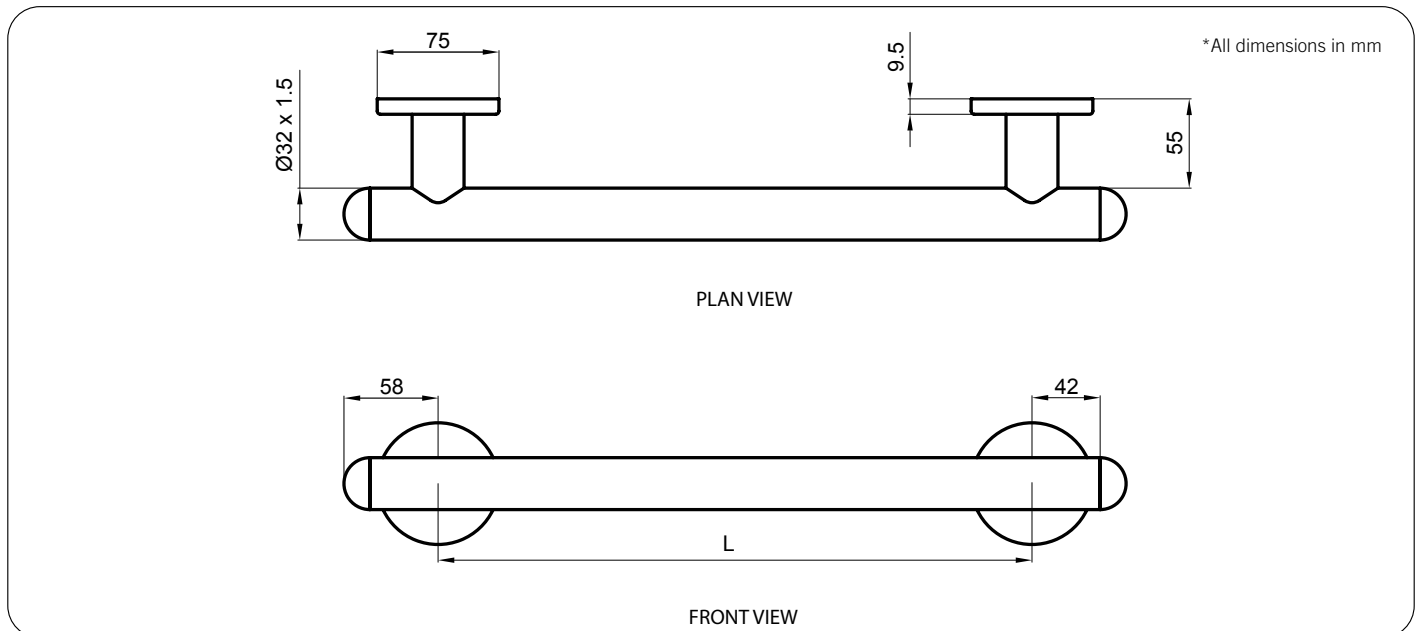
- RBA4600-019** Straight Grab Rail 366mm
- RBA4600-029** Straight Grab Rail 516mm
- RBA4600-039** Straight Grab Rail 666mm
- RBA4600-049** Straight Grab Rail 816mm
- RBA4600-059** Straight Grab Rail 1116mm
- RBA4600-069** Straight Grab Rail 1029mm

\*Additional sizes available upon request

### Installation

Warning: Grab rails are no stronger than the anchors or walls to which they are attached and must be firmly secured in order to support the loads for which they are intended. Refer to local codes and Installation Instructions for location of fixing points, method of attachment, etc.

**Important:** Installation instructions and current rough-in details should be furnished with each fixture. Do not rough in without certified dimensions. Dimensions are subject to manufacturer's tolerance of +/-10mm.



Global-Mark.com.au  
 Sourced/ Supplied under QMS