

## Model RBA4157-777-005



### Materials & Features

Folding shower seat is designed to suit all requirements of Changing Places (2020) when installed correctly. Unit is slip-resistant, self-draining and support legs extend to the floor for increased stability. Seat is secured to frame from underneath to eliminate fixings on the seat top for improved comfort and infection control. Seat folds in an upwards direction.

### Technical Detail

Frame: 1.2mm x 25mm x 25mm, 304 Stainless Steel, Satin Finish  
 Seat: One-piece, 12mm phenolic  
 SWL: 180kgs

### Available Products

**RBA4157-777-005** Changing Places (2020) Folding Shower Seat

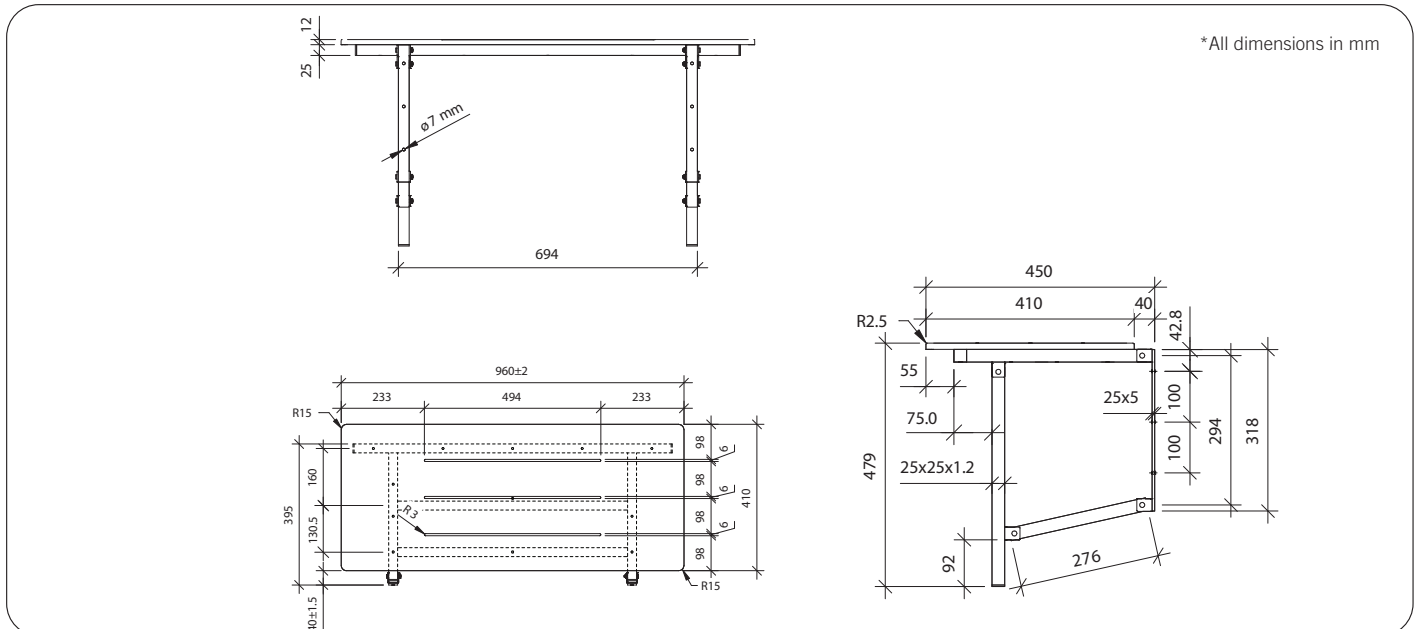
### Related Products

**B819687** Bobrick Accessible Compliant Folding Shower Seat to AS1428.1

### Installation

Warning: Folding Shower Seats are no stronger than the anchors or walls to which they are attached and therefore must be firmly secured in order to support the loads for which they are intended.

**Important:** Installation instructions and current rough-in details should be furnished with each fixture. Do not rough in without certified dimensions. Dimensions are subject to manufacturer's tolerance of +/-10mm.



Global-Mark.com.au®  
Sourced/Supplied under OEMs