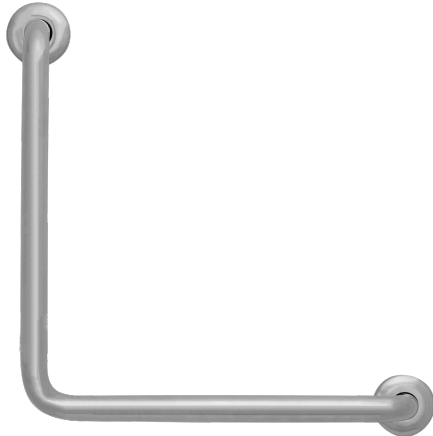


## Model RBA4098-450



### Materials & Features

Stainless Steel 90° angled grab rail meets all requirements of the ambulant section of AS1428.1 when installed correctly. The snap flanges conceal the fixings. Unit is ambidextrous and can be mounted on either Left or Right Hand side.

### Technical Detail

Rail: 32mm [Dia], 304 Bright Polished Stainless Steel  
 Fixings: Included  
 SWL: 1100N

### Available Models

**RBA4098-450** Bright Polished Ambulant Grab Rail 90°, 450 x 450mm

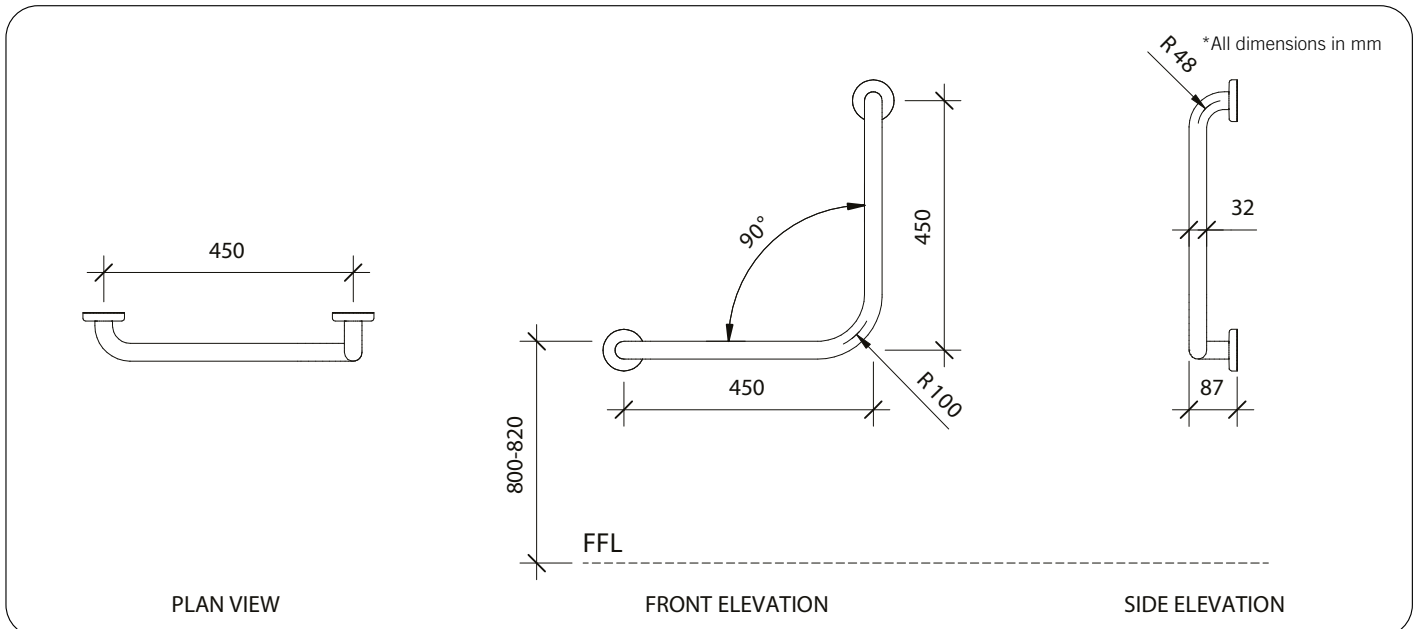
### Related Products

**RBA4090-999-001** Single Dress Plate for panel mounting  
**RBA4330-022** Tactile Sign, Male Ambulant, 316 Stainless Steel  
**RBA4330-023** Tactile Sign, Female Ambulant, 316 Stainless Steel

### Installation

Warning: Grab Rails are no stronger than the anchors or walls to which they are attached and, therefore, must be firmly secured in order to support the loads for which they are intended.

**Important:** Installation instructions and current rough-in details should be furnished with each fixture. Do not rough in without certified dimensions. Dimensions are subject to manufacturer's tolerance of +/-10mm.



As improvements in the design and performance of RBA products are continuous, specifications may be subject to change without notice. The illustrations and descriptions herein are applicable to production as of the date of this Technical Data Sheet. Revised 11/22 © 2022 by RBA Group TD/Model RBA4098-450/1122