

## Model RBA4040-800

### Materials & Features

Stainless steel 40° WC grab rail meets the requirements of AS1428.1 when installed correctly. The snap flange cover conceals the fixings.

### Technical Detail

Rail 32mm [Dia], 304 Satin Stainless Steel  
 Fixings By others



### Available Model

**RBA4040-800** 40° Toilet Grab Rail, Left Hand

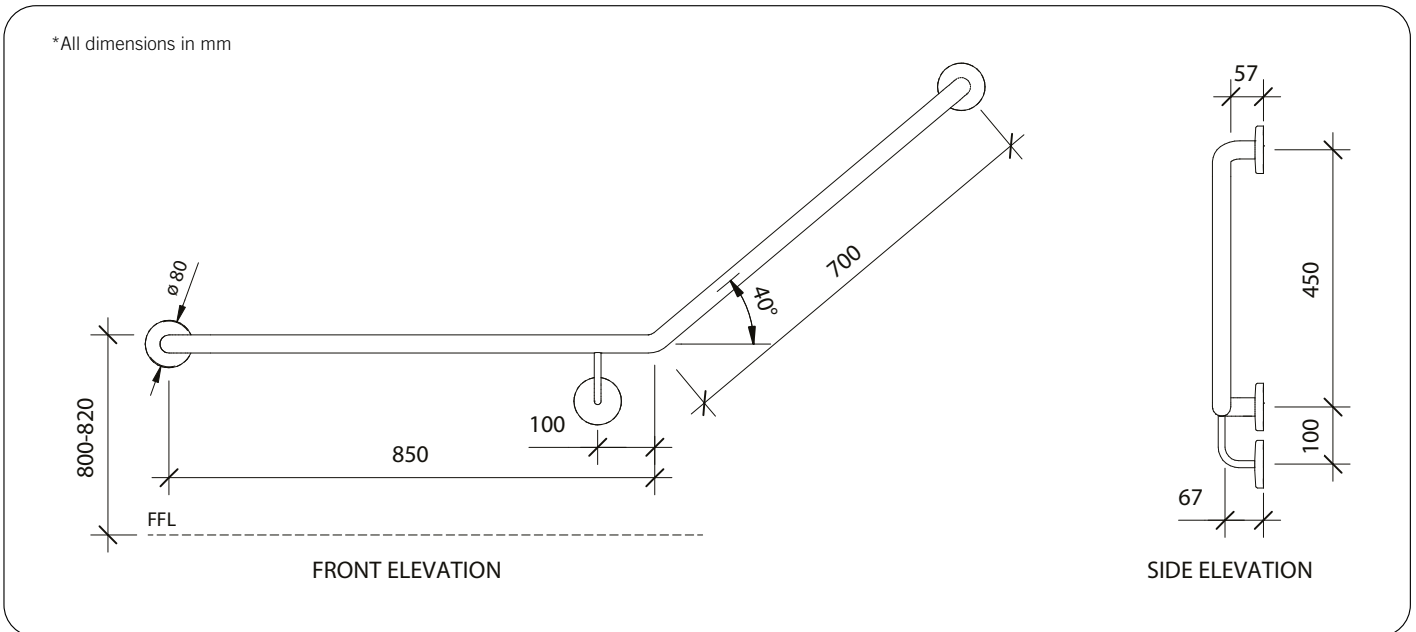
### Related Products

**RBA4000-030** Straight Grab rail, 300mm  
**RBA4040-810** 40° Toilet Grab Rail, Right Hand  
**RBA4150-101** Accessible Compliant Backrest

### Installation

Warning: Grab rails are no stronger than the anchors or walls to which they are attached and must be firmly secured in order to support the loads for which they are intended. Refer to local codes and Installation Instructions for location of fixing points, method of attachment, etc.

**Important:** Installation instructions and current rough-in details should be furnished with each fixture. Do not rough in without certified dimensions. Dimensions are subject to manufacturer's tolerance of +/-10mm.



As improvements in the design and performance of RBA products are continuous, specifications may be subject to change without notice. The illustrations and descriptions herein are applicable to production as of the date of this Technical Data Sheet. Revised 11/22 © 2022 by RBA Group TD/Model RBA4040-800/1122