



RBA2731-502 Shown

Models RBA2731-502 RBA2731-503

Materials & Features

Manufactured from #304 stainless steel with all exposed surfaces in satin finish and antibacterial impact resistant ABS surfaces. Sensor operated valve with strainer to ensure touch-free operation. Suitable for all RBA -UG series water coolers.

Technical Detail

Inlet Connection:	1/4" Push Fit Connection
Water Pressure:	200 – 500 kPa
Water Capacity:	30L/hr drinking water at 10°C [incoming 27°C, ambient 32°C]
Flow Rate:	3.8 LPM
Actuation Type:	Sensor

Available Models

- RBA2731-502
- RBA2731-503

H₂O to Go!™ Bottle Filler add-on, Sensor Operated with Bottle Counter
H₂O to Go!™ Bottle Filler add-on, Sensor Operated

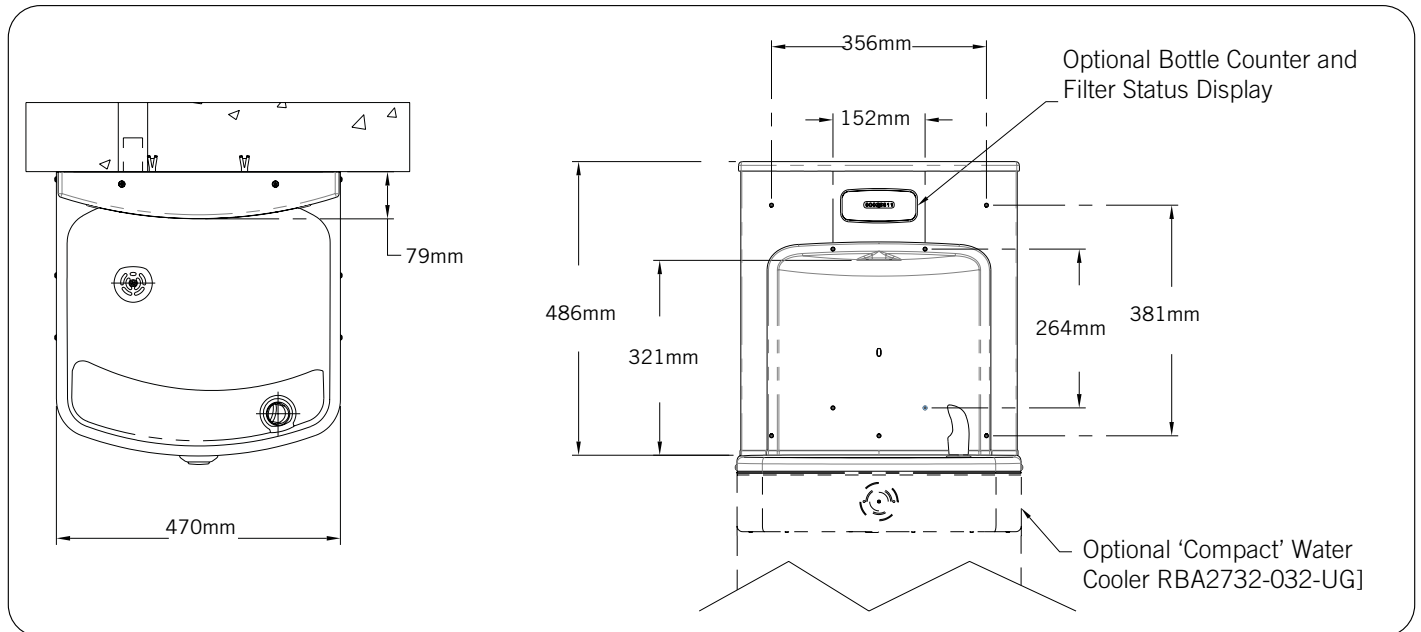
Related Products

- RBA2731-500
- RBA2732-032-UG
- RBA2733-034-UG

H₂O to Go!™ Bottle Filler add-on, Push Button
'Compact' Water Cooler with Flexi Bubbler to suit RBA2731-502 & RBA2731-503
'Compact' Water Cooler with Flexi Bubbler and Vandal Resistant Button to suit RBA2731-502 & RBA2731-503

Important: Installation instructions and current rough-in details should be furnished with each fixture. Do not rough in without certified dimensions. Dimensions are subject to manufacturer's tolerance of +/-10mm.

*All dimensions in mm



As improvements in the design and performance of RBA products are continuous, specifications may be subject to change without notice. The illustrations and descriptions herein are applicable to production as of the date of this Technical Data Sheet. Revised 10/22 © 2022 by RBA Group TD/Model RBA2731-502/RBA2731-503/1022