



Technical Data

**MIRROR WITH
STAINLESS STEEL
CHANNEL FRAME
AND SHELF**

**B-166
SERIES**

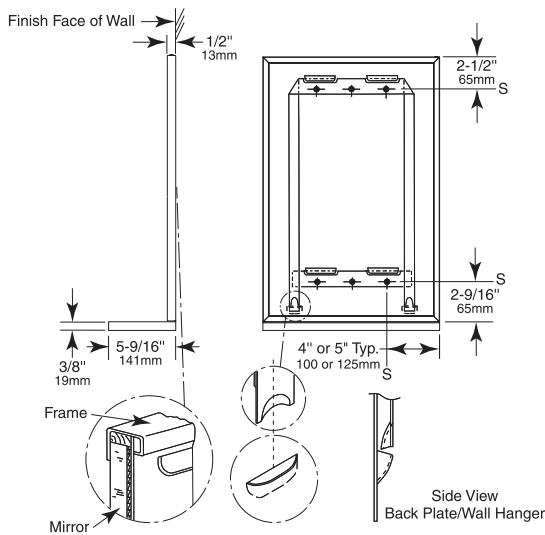


Designer's Notes:

1. Special-order sizes available on request.
2. Maximum size mirror available, 60" x 48" (152 x 122cm) or 48" x 60" (122 x 152cm); minimum size, 12" x 12" (30 x 30cm).
3. All Bobrick framed mirror/shelf models are manufactured to overall width and height dimensions of mirror, not including shelf. EXAMPLE: B-166 2436" (61 x 94cm) mirror will be furnished 24" x 37-1/4" (61 x 94cm) outside-of-frame to outside-of-frame including shelf.
4. To specify special sizes use Series Number followed by width x height in inches. EXAMPLE: B-166 2024 20"x 24" (51 x 61cm).
5. Bobrick framed mirror/shelf models are manufactured to a tolerance $\pm 1/8"$ (3.2mm).
6. For sufficient space to lift mirror onto wall hanger(s), provide 1" (25.4mm) minimum clearance above top of mirror frame.
7. Provide 1" (25mm) minimum clearance at bottom of mirror for unlocking mirror from wall and 1/2" (12.7mm) minimum clearance on each side.

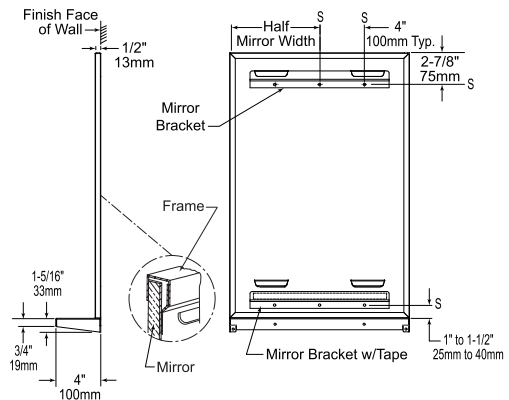
**Snap Locking Design
(Rear View)**

Figure: 1



**"2S" Tab Design
(Rear View)**

Figure: 2



All Other Size Mirrors

STANDARD B-166 SERIES MIRRORS

| MODEL NO. | OVERALL SIZE | |
|------------|--------------|----------------|
| | W | H |
| B-166 1824 | 18" (46cm) | 25-1/4" (64cm) |
| B-166 1830 | 18" (46cm) | 31-1/4" (79cm) |
| B-166 1836 | 18" (46cm) | 37-1/4" (94cm) |
| B-166 2436 | 24" (61cm) | 37-1/4" (94cm) |

Note: Mirrors greater than 36" in width will have multiple hanger brackets with a typical 8" off each edge.

continued . . .

MATERIALS:

Frame — Type 430 stainless steel, 1/2" x 1/2" x 3/8" (13 x 13 x 9.5mm) channel 1/4" (6mm) return at rear. For Snap Locking Design; 1/2" x 1/2" x 1/2" (13 x 13 x 13mm) channel for "2S" Design Tab, with bright polished finish. One-piece frame with 90 degree mitered corners. Galvanized steel back has integral horizontal hanging brackets near the top for hanging the mirror and near the bottom to prevent the bottom of the mirror from pulling away from the wall. Locking devices secure mirror to concealed wall hanger.

Shelf — 18-8, type 304, 18-gauge (1.2mm) stainless steel with satin finish. Return edge on front, hemmed for additional strength and safety. Once mounted properly, mirror shelf meets accessible design by protruding 4" (102mm) from the wall.

Mirror — No. 1 quality, 1/4" (6mm) select float glass: selected for silvering, electrolytically copper-plated by the galvanic process, and guaranteed for 15 years against silver spoilage. Back is protected by full-size, shock-absorbing, water-resistant, nonabrasive, polyethylene padding.

Concealed Wall Hanger — Heavy gauge steel construction. Incorporates upper and lower support members, which engage backplate louvers to keep mirror against wall for Snap-locking design. Double-sided tape secures mirror to concealed wall hanger for "2S" Design Tab design.

INSTALLATION:

Mount wall hanger on wall with screws (not furnished) at points indicated by an S. For plaster or dry wall construction, provide backing to comply with local building codes, then secure wall hanger with screws (not furnished). When providing a concealed backing, allow backing to cover minimum range of mounting hole locations shown on drawing. For other wall surfaces, provide fiber plugs or expansion shields for use with screws (not furnished), or provide 1/8" (3mm) toggle bolts or expansion bolts. Hang mirror on wall hanger with all four backplate louvers engaged behind horizontal wall hanger members. To do this, mirror must be centered in front of the wall hanger horizontally, pressed flat against the wall approximately 1" (25mm) above final position and then lowered into final position.

Place shelf below mirror and install with wall screws (not furnished) at points indicated by S.

Snap Locking Design — Locking devices automatically secure mirror to concealed wall hanger when it is lowered into final position (see figure 3). Locking devices may be unlocked by inserting two flat blade screwdrivers behind each side of mirror near the bottom or under the bottom of the mirror and pulling mirror bottom forward and then up.

"2S" Tab Design — Double-sided tape secures mirror to concealed wall hanger when it is lowered into final position (see figure 4).

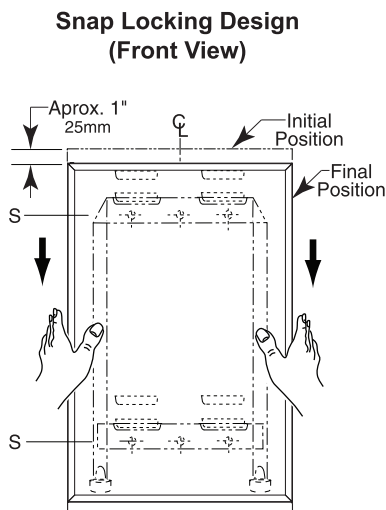


Figure: 3

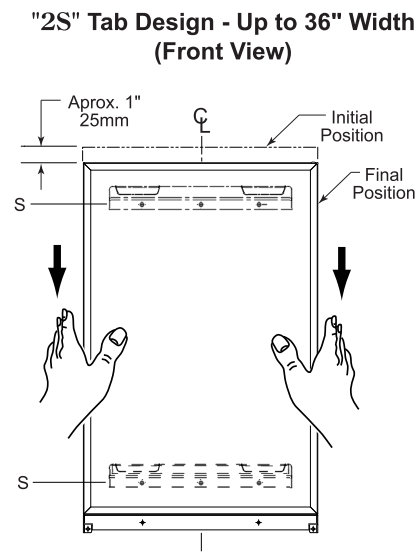


Figure: 4

SPECIFICATION:

Mirror shall have a one-piece type 430 stainless steel channel frame, with 90° mitered corners; all exposed surfaces shall have bright polished finish. Shelf shall be type 304, 18-gauge (0.8mm) stainless steel with satin finish and shall have return edges on front with front return edge hemmed. Select float glass mirror shall be guaranteed for 15 years against silver spoilage. The back shall be protected by full-size, shock-absorbing, water-resistant, nonabrasive, polyethylene padding. Galvanized steel back shall have integral horizontal hanging brackets located at top and bottom for mounting on concealed wall hanger and to prevent the mirror from pulling away from the wall.

Framed Mirror With Shelf shall be Model B-166 _____ (insert width and height) of Bobrick Washroom Equipment, Inc., Clifton Park, New York; Jackson, Tennessee; Los Angeles, California; Bobrick Washroom Equipment Company, Scarborough, Ontario; Bobrick Washroom Equipment Pty. Ltd., Australia; and Bobrick Washroom Equipment Limited, United Kingdom.