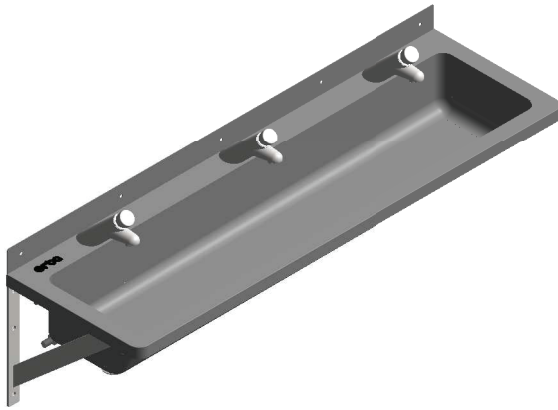


## Model RBA5503-Series



\*RBA5503-120-453 Shown

### Materials & Features

Manufactured from stainless steel with all exposed surfaces in satin finish. Accommodates multiple users and is easy to install with only one water inlet and one waste outlet. Unit is pre-plumbed with Lead-Free waterpath and tapware. Suitable for education, site sheds and any high traffic installation. Tapware can be selected to offer hand wash or bottle filler options. Meets the requirements of VSBA, EFSG, AS1428.1-2009 [15.3 Washbasins] and RAI Design Guide for Drinking Fountains and Water Filling Points, when mounted correctly.

### Technical Detail

Basin and Housing:	1.2mm, type 304 Stainless Steel
Pre-plumbed piping:	Lead-free type 316 Stainless Steel
Tapware:	Lead-free type 304 Stainless Steel, 6 Star WELS
Outlet Connection:	50mm BSP waste, supplied
Brackets:	5.0mm, type 201 Stainless Steel, supplied
Trap:	By others

### Available Models

<b>RBA5503-120-452</b>	Lead-Free Pre-plumbed 1200mm LH Trough with 2 Taps
<b>RBA5503-120-453</b>	Lead-Free Pre-plumbed 1200mm LH Trough with 3 Taps
<b>RBA5503-160-454</b>	Lead-Free Pre-plumbed 1600mm LH Trough with 4 Taps
<b>RBA5503-200-455</b>	Lead-Free Pre-plumbed 2000mm LH Trough with 5 Taps
<b>RBA5503-240-456</b>	Lead-Free Pre-plumbed 2400mm LH Trough with 6 Taps

\* Custom sizes and tap configurations available upon request. Above models based on 400mm tap centres

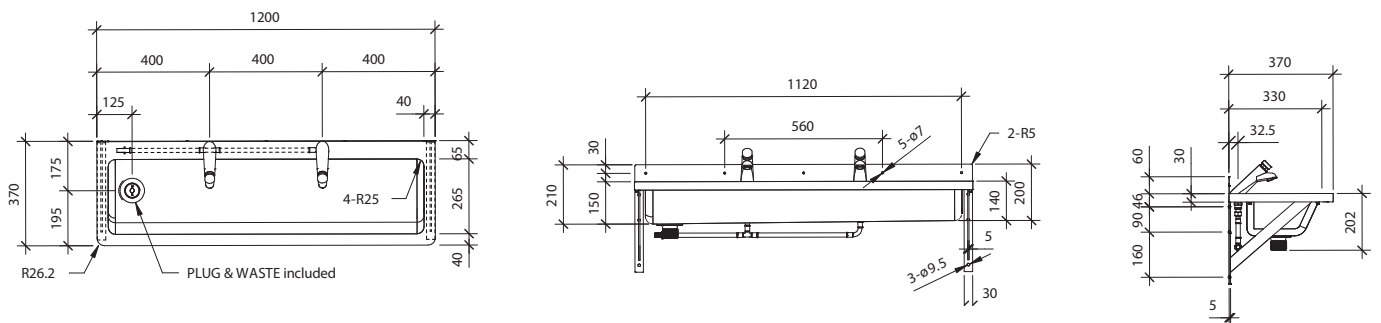
### Related Products

<b>RBA5504-Series</b>	Lead-Free Pre-plumbed Hand Wash & Bottle Filler Trough, RH
-----------------------	--

**Important:** Installation instructions and current rough-in details should be furnished with each fixture. Do not rough in without certified dimensions. Dimensions are subject to manufacturer's tolerance of +/-10mm.

RBA5503-120-452 Shown

\*All dimensions in mm

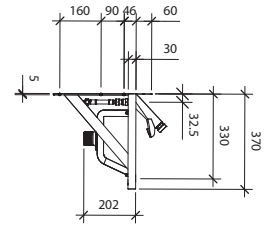
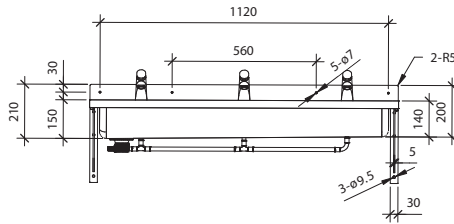
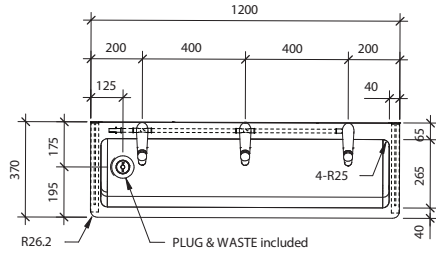


As improvements in the design and performance of RBA products are continuous, specifications may be subject to change without notice. The illustrations and descriptions herein are applicable to production as of the date of this Technical Data Sheet. Revised 08/21 © 2021 by RBA Group TD/Model RBA5503-Series/0821

## Model RBA5503-Series

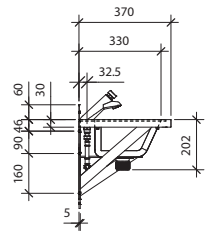
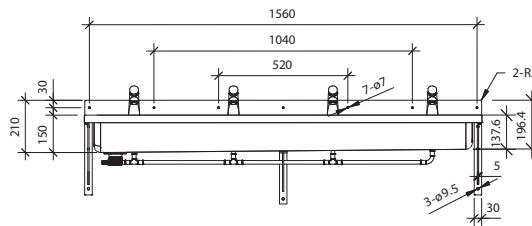
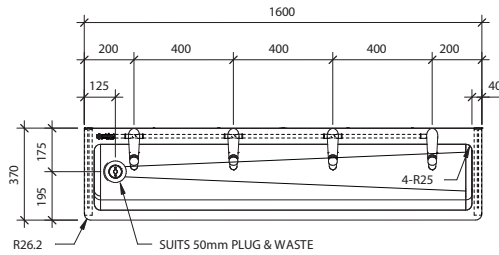
RBA5503-160-453 Shown

\*All dimensions in mm



RBA5503-160-454 Shown

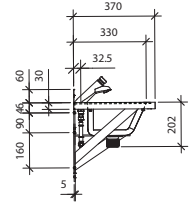
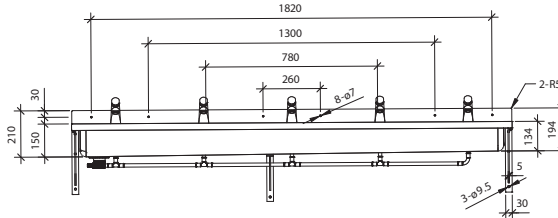
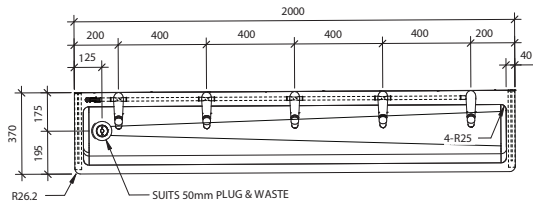
\*All dimensions in mm



## Model RBA5503-Series

RBA5503-200-455 Shown

\*All dimensions in mm



RBA5503-240-456 Shown

\*All dimensions in mm

