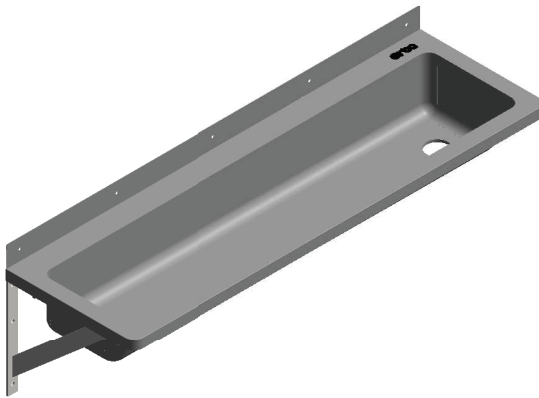


Model RBA5502-Series



*RBA5502-120 Shown

Materials & Features

Manufactured from stainless steel with all exposed surfaces in satin finish. Accommodates multiple users and is easy to install with only one waste outlet. Can be site drilled to suit either wall or basin mounted tapware.

Technical Detail

Basin and Housing:	1.2mm, type 304 Stainless Steel
Outlet Connection:	50mm BSP waste, supplied
Brackets:	5.0mm, type 201 Stainless Steel, supplied
Trap:	By others

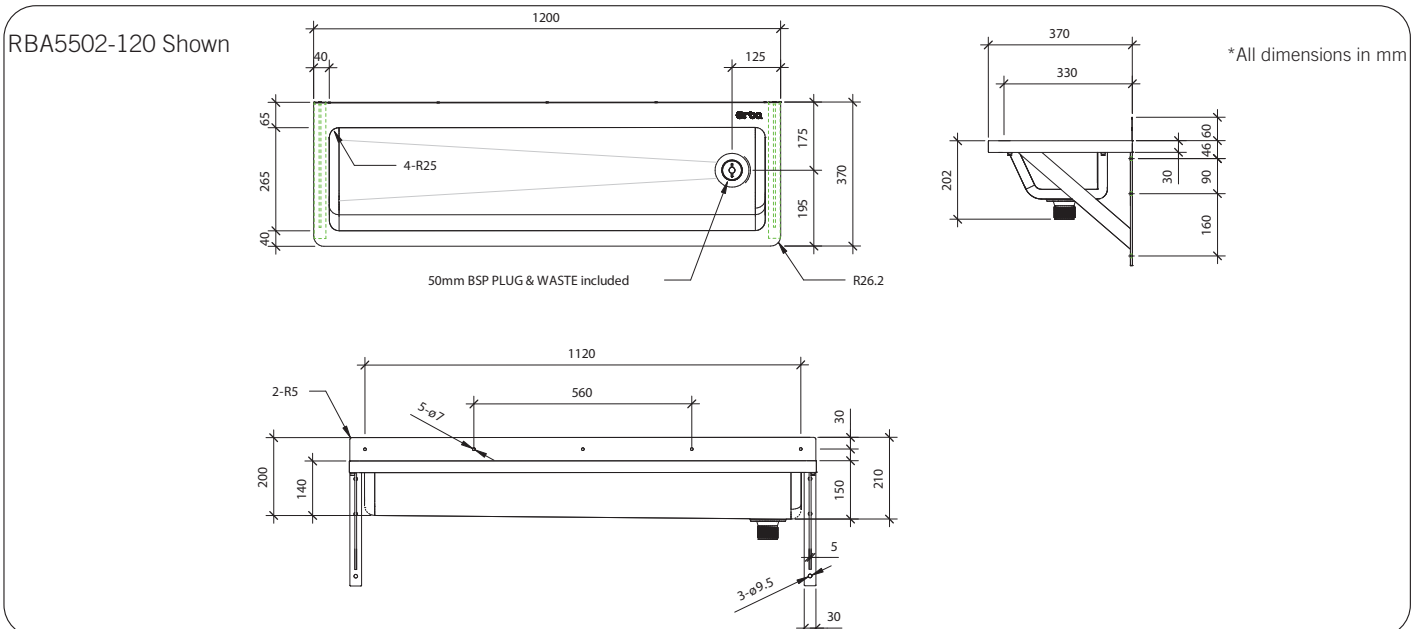
Available Models

- RBA5502-120** 1200mm Hand Wash & Bottle Filler Trough, RH
- RBA5502-160** 1600mm Hand Wash & Bottle Filler Trough, RH
- RBA5502-200** 2000mm Hand Wash & Bottle Filler Trough, RH
- RBA5502-240** 2400mm Hand Wash & Bottle Filler Trough, RH

Related Products

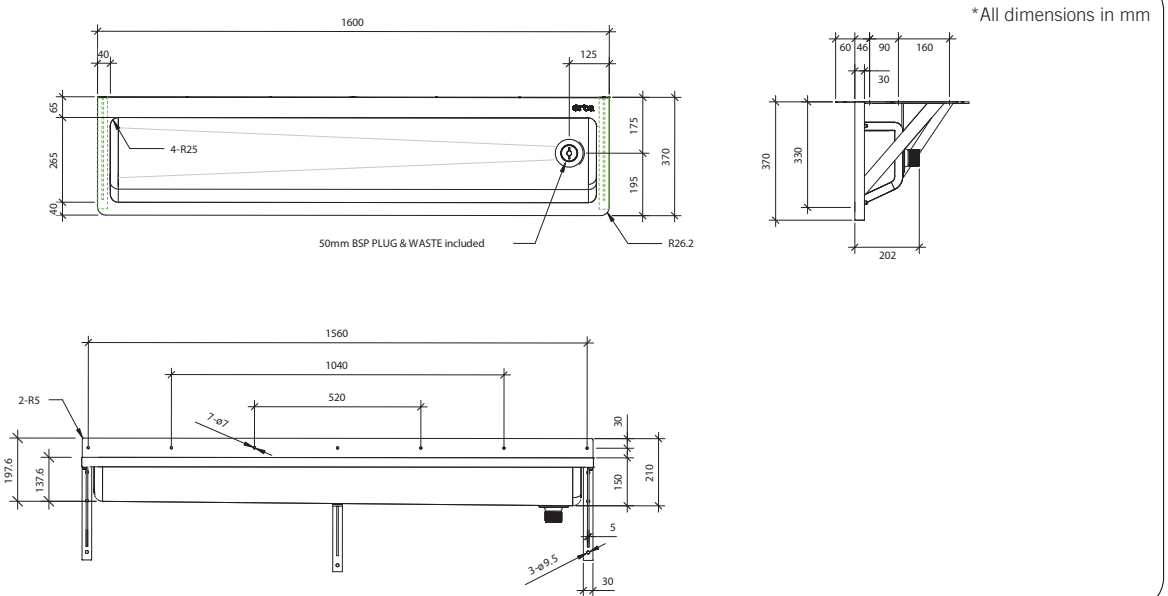
- RBA5501-Series** Hand Wash & Bottle Filler Troughs, LH
- RBA5503-Series** Lead-Free Pre-plumbed Hand Wash & Bottle Filler Trough, LH
- RBA5504-Series** Lead-Free Pre-plumbed Hand Wash & Bottle Filler Trough, RH

Important: Installation instructions and current rough-in details should be furnished with each fixture. Do not rough in without certified dimensions. Dimensions are subject to manufacturer's tolerance of +/-10mm.

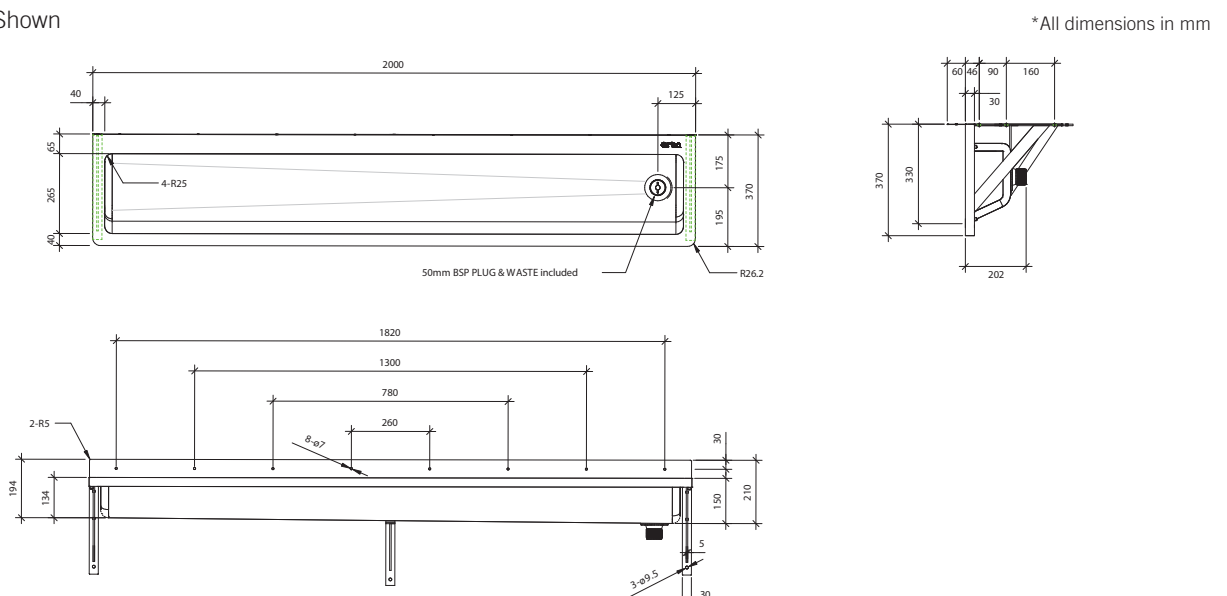


Model RBA5502-Series

RBA5502-160 Shown



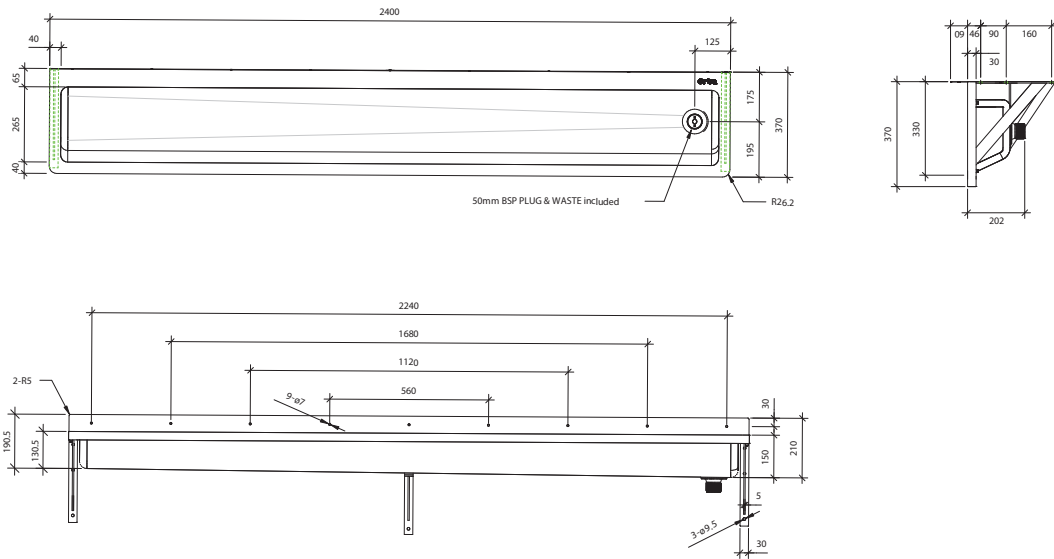
RBA5502-200 Shown



Model RBA5502-Series

RBA5502-240 Shown

*All dimensions in mm



As improvements in the design and performance of RBA products are continuous, specifications may be subject to change without notice. The illustrations and descriptions herein are applicable to production as of the date of this Technical Data Sheet. Revised 08/21 © 2021 by RBA Group TD/Model RBA5502-Series/0821