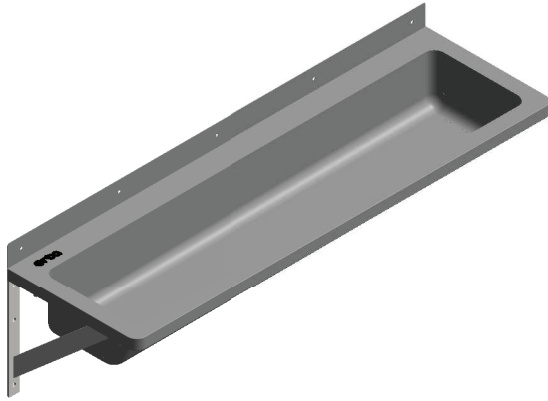


Model RBA5501-Series



*RBA5501-120 Shown

Materials & Features

Manufactured from stainless steel with all exposed surfaces in satin finish. Accommodates multiple users and is easy to install with only one waste outlet. Can be site drilled to suit either wall or basin mounted tapware.

Technical Detail

Basin and Housing:	1.2mm, type 304 Stainless Steel
Outlet Connection:	50mm BSP waste, supplied
Brackets:	5.0mm, type 201 Stainless Steel, supplied
Trap:	By others

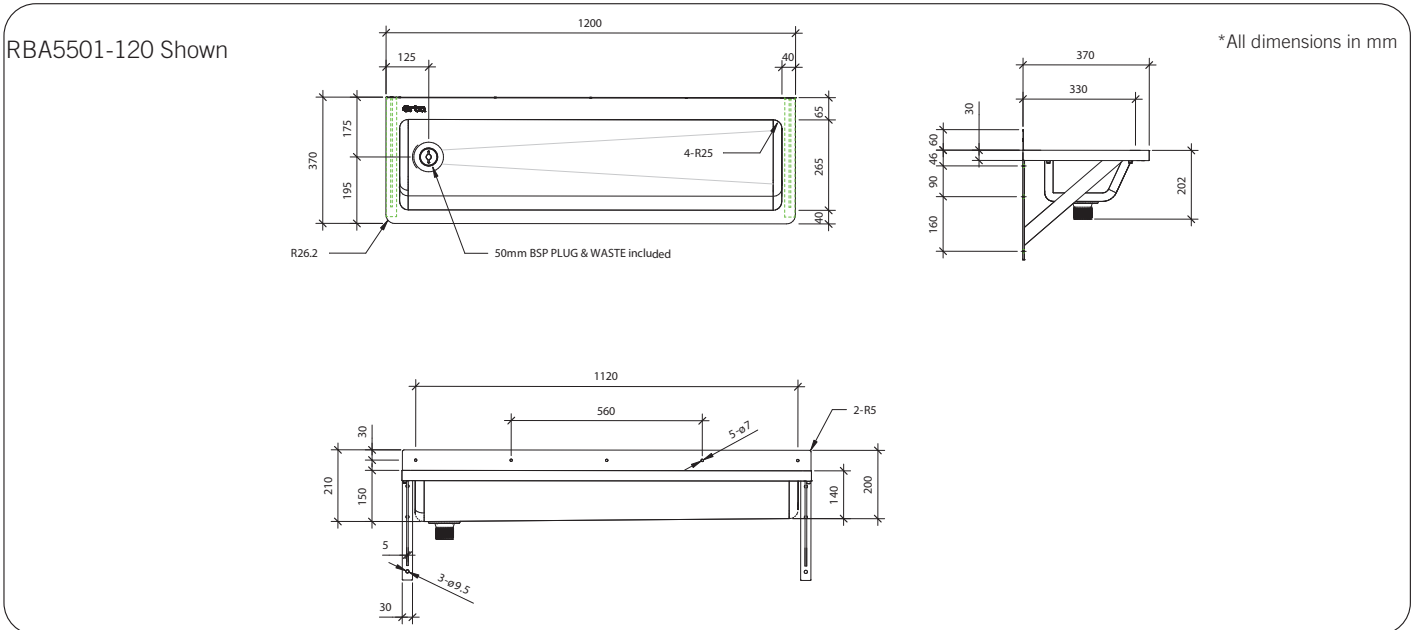
Available Models

RBA5501-120	1200mm Hand Wash & Bottle Filler Trough, LH
RBA5501-160	1600mm Hand Wash & Bottle Filler Trough, LH
RBA5501-200	2000mm Hand Wash & Bottle Filler Trough, LH
RBA5501-240	2400mm Hand Wash & Bottle Filler Trough, LH

Related Products

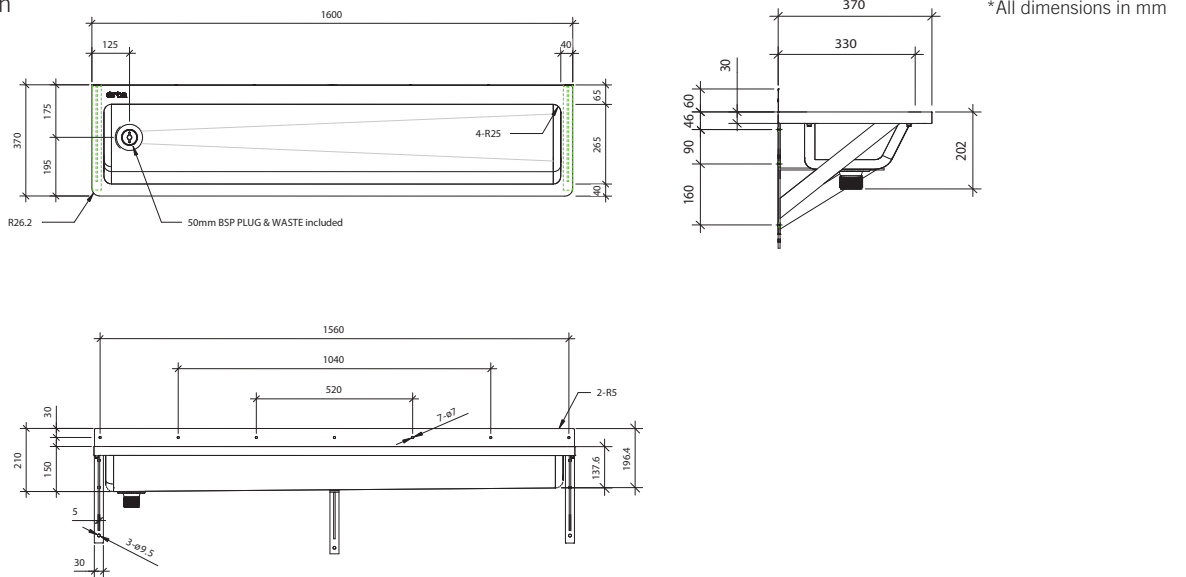
RBA5502-Series	Hand Wash & Bottle Filler Troughs, RH
RBA5503-Series	Lead-Free Pre-plumbed Hand Wash & Bottle Filler Trough, LH
RBA5504-Series	Lead-Free Pre-plumbed Hand Wash & Bottle Filler Trough, RH

Important: Installation instructions and current rough-in details should be furnished with each fixture. Do not rough in without certified dimensions. Dimensions are subject to manufacturer's tolerance of +/-10mm.

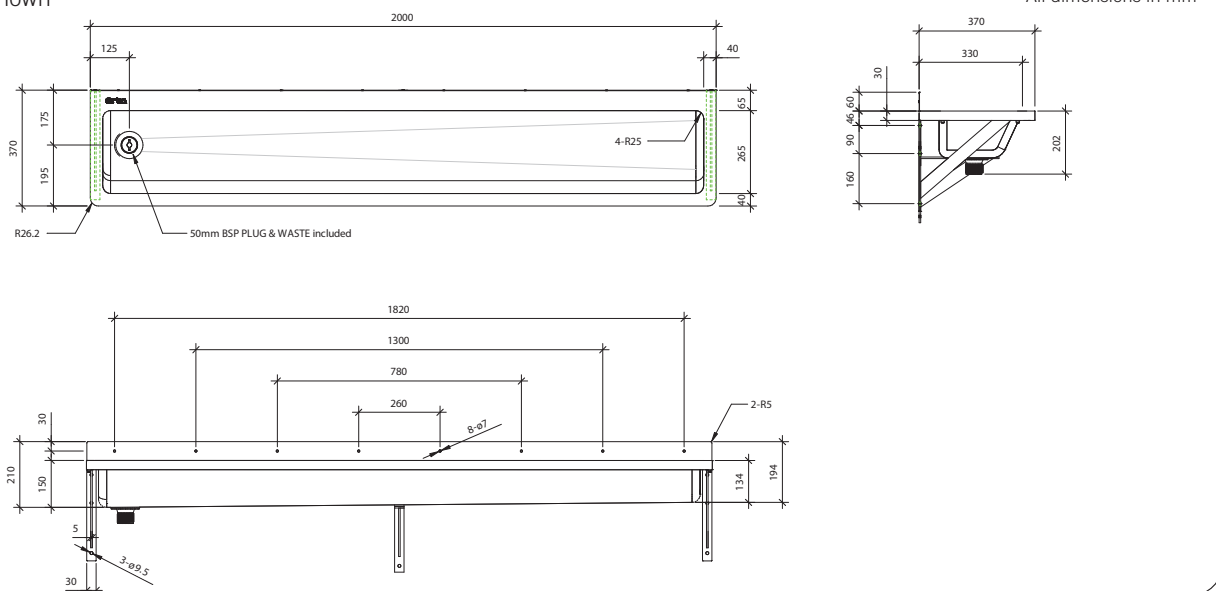


Model RBA5501-Series

RBA5501-160 Shown



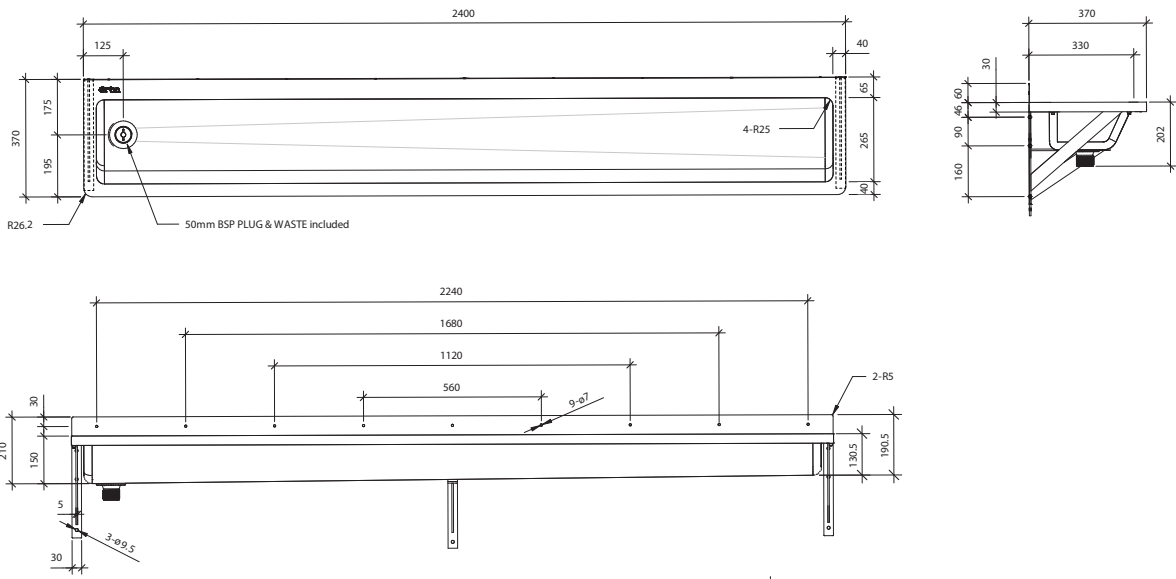
RBA5501-200 Shown



Model RBA5501-Series

RBA5501-240 Shown

*All dimensions in mm



As improvements in the design and performance of RBA products are continuous, specifications may be subject to change without notice. The illustrations and descriptions herein are applicable to production as of the date of this Technical Data Sheet. Revised 08/21 © 2021 by RBA Group TD/Model RBA5501-Series/0821