



# Commercial Toilet Seat | Open Front

Model RBA8186-777-003



### Materials & Features

Seat is open front and designed to fit elongated toilet pans in commercial applications. The unit is heavy duty for vandal resistance and incorporates stainless steel hinges to increase stability. Unit does not include a lid.

### Technical Detail

Seat: Injection moulded solid plastic  
Hinges: Type 304 Stainless Steel

### Compliance

ANSI Z124.5-2013

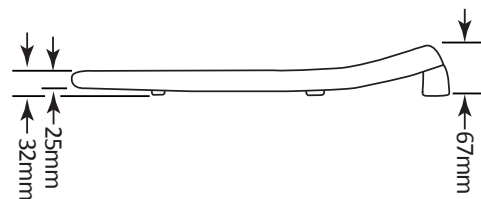
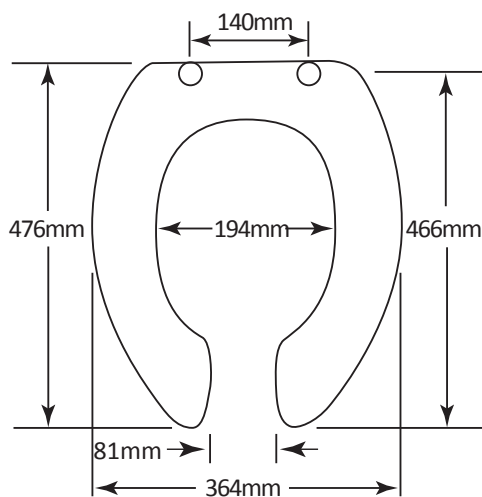
### Available Model

RBA8186-777-003 Open Front Commercial Toilet Seat, Black

### Related Products

RBA8186-102 Closed Front Commercial Toilet Seat, White  
RBA8847-100 Stainless Steel Toilet Suite  
RBA8851-100 Stainless Steel Toilet

**Important:** Installation instructions and current rough-in details should be furnished with each fixture. Do not rough in without certified dimensions. Dimensions are subject to manufacturer's tolerance of +/-10mm.



As improvements in the design and performance of RBA products are continuous, specifications may be subject to change without notice. The illustrations and descriptions herein are applicable to production as of the date of this Technical Data Sheet. Revised 10/15 © 2015 by RBA Group TD/Model RBA8186-777-003/1015