



Ligature Resistant Toilet Roll Holder

Models RBA8141-Series



Materials & Features

Recessed unit is designed to support the weight of a single toilet paper roll but snap down if excessively loaded. Rear fixed & surface mounted options available on request. Bevelled face plate for ligature resistance. Countersunk drill-holes to accommodate fixings.

Technical Detail

Material: 1.5mm, 304 Stainless Steel
 Max. load: 15 kgs
 Fixings: Tamper Resistant screws (supplied)
 Compliance: AusHFG-2018. Each unit is 100% tested in Australia for compliance

Model shown is RBA8141-100

Available Models

RBA8141-100 Ligature Resistant Toilet Roll Holder, Satin Stainless Steel (interior bead blasted)

RBA8141-117 Ligature Resistant Toilet Roll Holder, EnviroGlaze® White

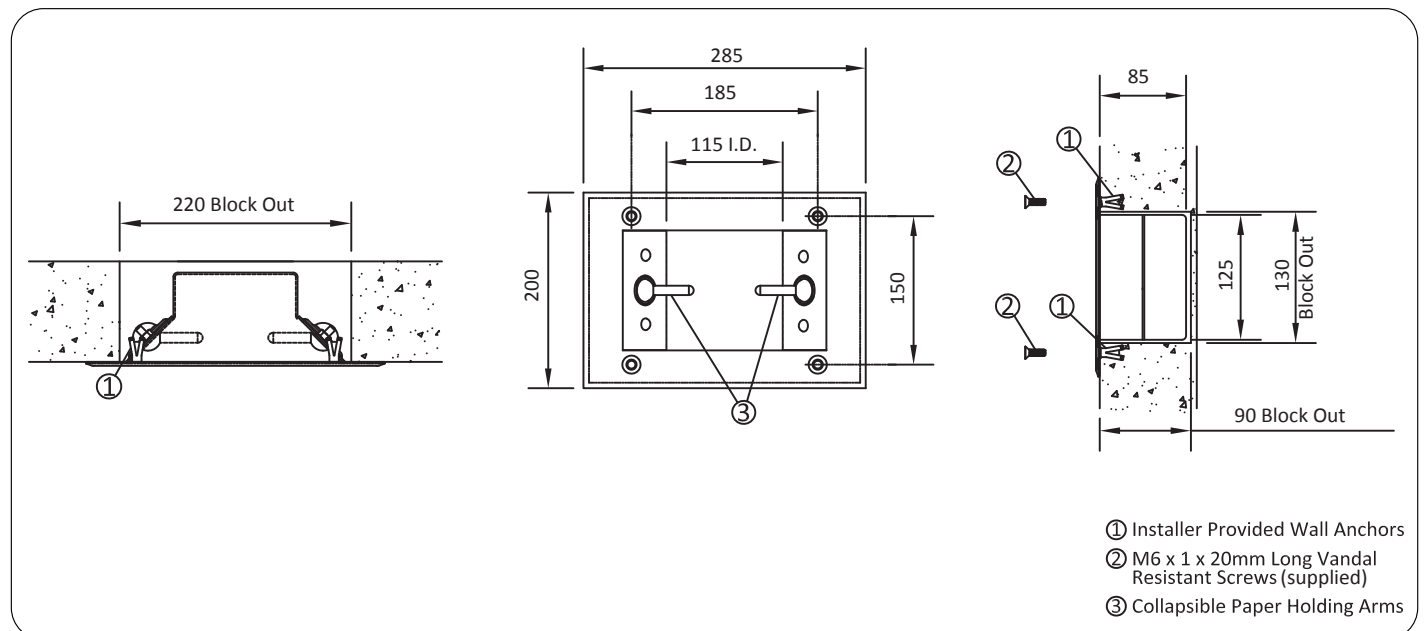
Related Products

RBA8130-102 Ligature Resistant Hook

RBA8140-100 Ligature Resistant Toilet Roll Holder

RBA8519-100 Ligature Resistant Shower Set

Important: Installation instructions and current rough-in details should be furnished with each fixture. Do not rough in without certified dimensions. Dimensions are subject to manufacturer's tolerance of +/-10mm.



As improvements in the design and performance of RBA products are continuous, specifications may be subject to change without notice. The illustrations and descriptions herein are applicable to production as of the date of this Technical Data Sheet. Revised 08/19 © 2020 by RBA Group TD/Model RBA8141-100,117/0820