



äska Toilet Roll Holder #1 Matte Black

Model RBA1643-302



Materials & Features

Manufactured from heavy duty brass with all exposed surfaces in a matte black finish. äska is a suite of attractive commercial grade accessories with radiused corners and edges to increase comfort and minimise catch.

Technical Detail

Material: Heavy Duty Brass
Finish: Matte Black
Bracket: Heavy Duty Brass Lug
Fixings: Included

Available Model

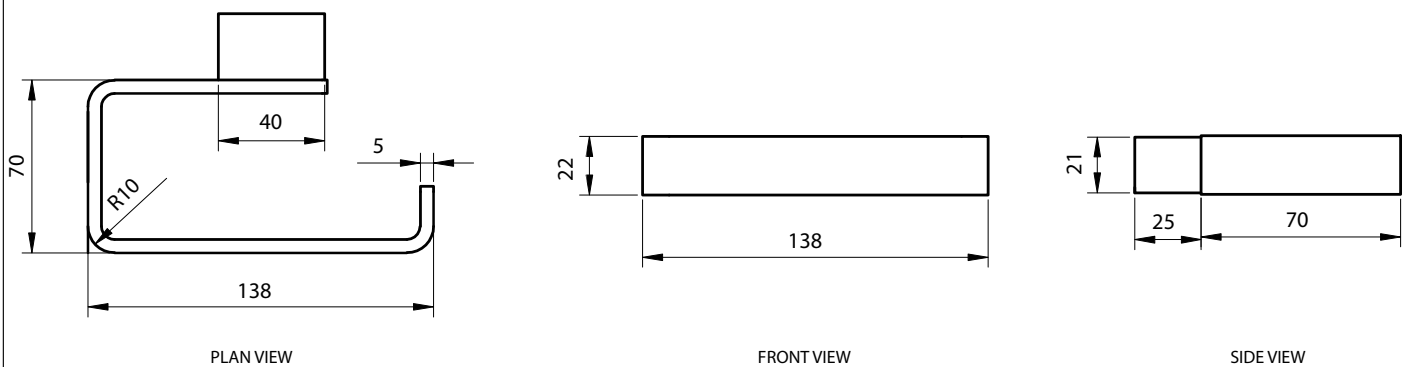
RBA1643-302 äska Toilet Roll Holder #1, Matte Black

Related Products

RBA1643-300 äska Robe Hook, Matte Black

Important: Installation instructions and current rough-in details should be furnished with each fixture. Do not rough in without certified dimensions. Dimensions are subject to manufacturer's tolerance of +/-10mm.

* All dimensions in mm



As improvements in the design and performance of RBA products are continuous, specifications may be subject to change without notice. The illustrations and descriptions herein are applicable to production as of the date of this Technical Data Sheet. Revised 12/19 © 2019 by RBA Group TD/Model RBA1643-302/1219