

INSTALLATION, OPERATION AND MAINTENANCE INSTRUCTIONS



RBA8867-100 Benefit Basin Wall Mounted



Model	Benefit Basin
Date	19/06/19

Supersedes all previous

Description

Wall mounted vandal resistant basin, fabricated from 1.2mm type 304 stainless steel. All exposed surfaces polished to a satin finish, and corners ground to a rounded surface.

Basin is supplied with integral fixing brackets, access panel, single 35mm diam tap hole and 55mm hole to accept 40mm waste outlet.

Components Supplied

Basin complete with integral brackets
40mm Waste Outlet
Torx 25 driver

Components Supplied by Others

Tapware [Tapware supplied with RBA8867-186]
Wall Anchors & fixings
40mm Low Level 'P' trap

Pre-Installation

This product should be installed, by suitably qualified persons, in a fit for purpose application, to suitable materials, using suitable fixings and comply with any relevant codes. It should be inspected periodically for signs of wear and tear that may affect performance or safety.

Installation

Basin is vandal resistant and should be mounted on a suitably constructed wall to support the unit, using suitable wall anchors provided by others. Ensure that the basin is mounted level, and at the correct height.

Typically the basin should be mounted with the rim at 870mm above FFL, when not installed in an accessible area, or at a height suitable for the application.

If mounted in an accessible area, reference should be made to AS1428.1, with regard to location, mounting height, and tapware.

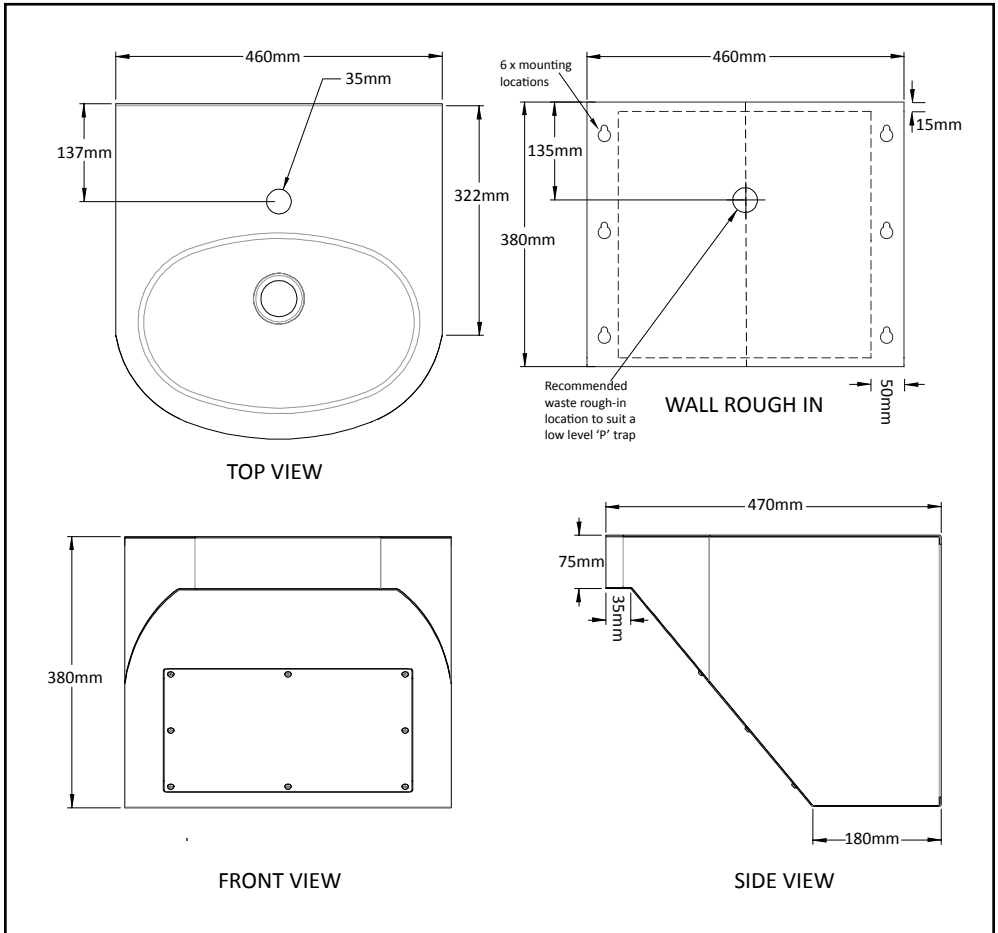
Notes

For RBA8867-186 Benefit Basin with Compliant Tapware, please refer to RBA1083-607 tapware installation instructions on requirements for installing the tapware.

Installation Instructions are subject to change without notice. Please visit www.rba.com.au for latest revision.

INSTALLATION, OPERATION AND MAINTENANCE INSTRUCTIONS

Dimensions & Rough In



Important: Dimensions are subject to manufacturer's tolerance of +/-10mm. Rough-in should be completed with each fixture.

Stainless Steel Cleaning Instructions

Warning:

- Do Not mix different cleaning solutions
- Always read cleaning products label for proper use

Normal Cleaning:

Clean weekly or more often as needed. For best results always rinse well with fresh water and wipe dry with clean soft cloth.

Recommended Cleaning Materials:

- Sponge - natural or artificial
- Nylon or other soft bristle brush
- Micro-fiber Cloth

Recommended Cleaning Solutions:

- Hand dishwashing liquid / soft water solution
- Mild soap / soft water solution
- CRES Clean™ - cleaner / polish
- 3M ® Stainless Steel Cleaner - cleaner / polish
- White vinegar / soft water solution (for brightening, removing hard water deposits)
- Club soda

To Remove Stubborn Spots or to Treat a Scratch:

Use a synthetic, abrasive general purpose pad such as Scotch Brite® is recommended. Apply the stainless steel cleaner/polish to the synthetic abrasive pad and CAREFULLY rub out spot with cleaner/polish. Be sure to rub in the direction of the grain. Do not allow steel wool to come in contact with the stainless steel. Steel particles can become embedded into the stainless steel surface and create rust.

Special Note

After cleaning for serious problems, let dry and expose to air for at least 24 hours to allow “healing” (restoring of the chromium oxide layer) of stainless steel surfaces.

