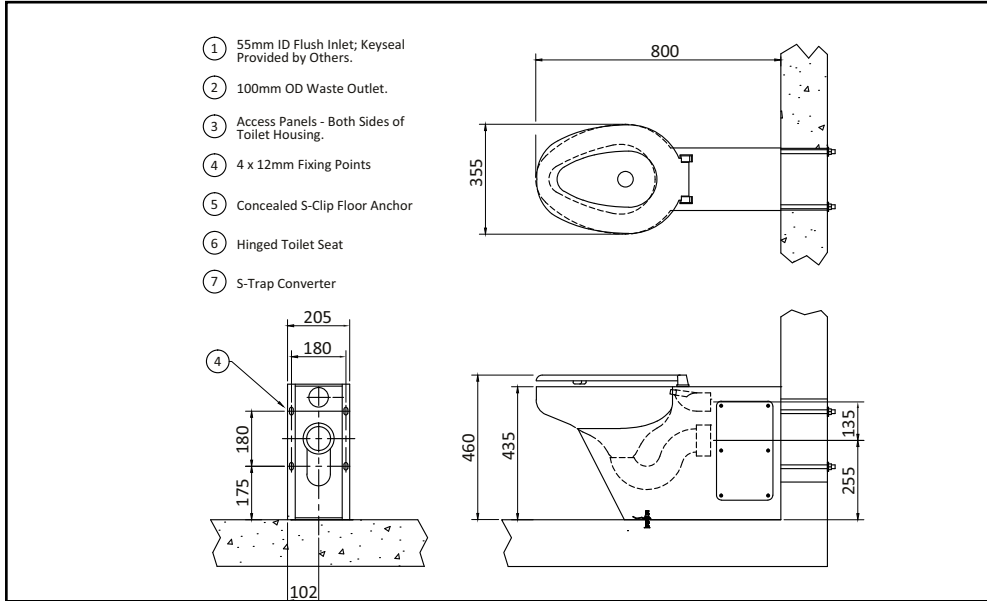


Dimensions & Rough In



RBA8851-428 Rear Fixed

**Note:** This product should be installed, by suitably qualified persons, in a fit for purpose application, to suitable materials, using suitable fixings and comply with any relevant codes. It should be inspected periodically for signs of wear and tear that may affect performance or safety.

Dimensions are subject to manufacturer's tolerance of +/-10mm. Rough-in should be completed with each fixture.

**Important:** Installation Instructions are subject to change without notice.

Please visit [www.rba.com.au](http://www.rba.com.au) for latest revision.



RBA8851-428 FRONT OR REAR MOUNT



Model	RBA8851-428
Date	18/09/19
Doc#	ii/rba8851-series/0919

Supersedes all previous

## Technical Data

### Components:

"P" Trap Stainless Steel Pan	M12 fixing rods with nuts & washers
"S" Clip	"S" Trap converter
Security bit	Plastic Seat (no lid)

### PRE-INSTALLATION

Installation should be in accordance with local authority and statutory requirements, and as per these installation instructions.

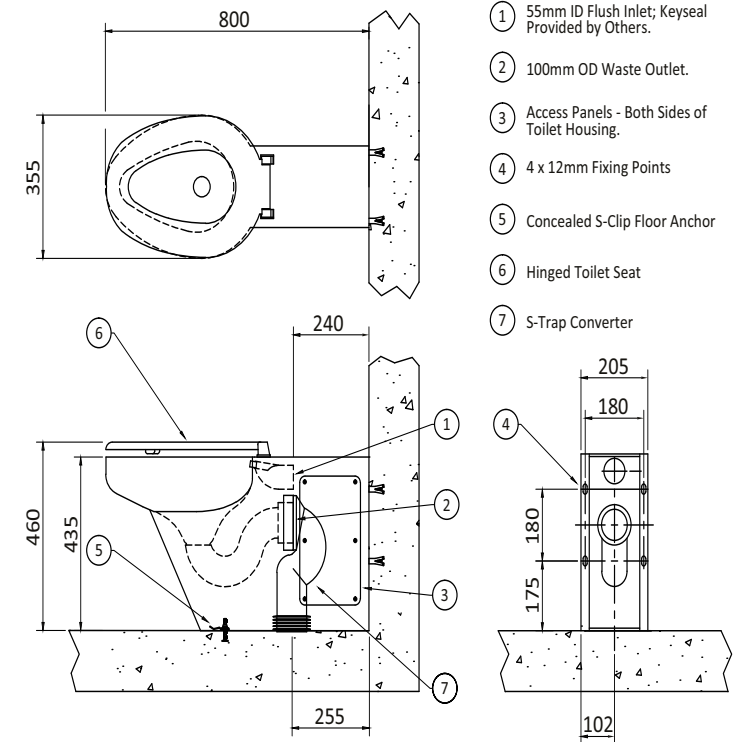
Pan is "wall faced" and should preferably be fixed to a masonry wall with suitable wall anchors provided by others. Supplied with "S" trap converter to allow either "S" or "P" configuration.

Flushing device should be –  
 Fowler Tasman Mk 2(or Stylus Symphony) cistern  
 Caroma Invisi II (Inceiling mount recommended)

### Installation

1. If not pre-formed, make sufficient penetrations through the wall, as determined from the drawing, to allow the 100 mm waste pipe, 50 mm flush pipe, and, if necessary, 12 mm fixing rods to pass through. If front fixed, suitable wall anchors supplied by others.
2. Fix the "S" clip to the floor in a location determined from the drawing.
3. Fit a 100 mm pan collar to the outlet with sufficient 100 mm pipe to extend through the wall. (Alternately the waste and flush pipes may be pre-Plumbed and the pan pushed onto the pipework.) If "S" trap configuration is required, location of floor penetration should be determined from the drawing.
4. Similarly fit a 50 mm keeseal to the pan inlet with sufficient pipe, as provided by the cistern manufacture, to extend through the wall.
5. Push the pan into position, ensuring that the "S" clip on the floor is engaged, and secure the pan to the wall.

6. Make the necessary connections to the waste, and install the cistern and connect according to the manufacturers instructions.
7. Check for leaks and correct flush volumes, 6 litres full flush and 3 litres half flush.
8. Fit the seat to pre-drilled holes and replace the access panels.



**RBA8851-428 Front Fixed**