

INSTALLATION, OPERATION AND MAINTENANCE INSTRUCTIONS



Bariatric Toilet

RBA8851-137-PP
RBA8851-137-SS



Model	Bariatric Toilet
Date	07/11/18

Supersedes all previous

Components

“P” Trap Stainless Steel Pan “S” Trap converter
Security bit

Pre-installation

Installation should be in accordance with local authority and statutory requirements, and as per these installation instructions.

Pan is “wall faced” and should preferably be fixed to a masonry wall with suitable wall anchors provided by others. Supplied with “S” trap converter to allow either “S” or “P” configuration.

Flushing device should be –

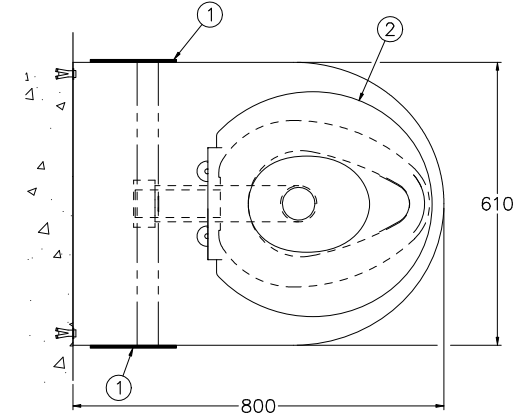
Fowler Tasman Mk 2 (or Stylus Symphony) cistern
Caroma Invisi II (Inceiling mount recommended)
Sloan Dual Flush Valve

Installation

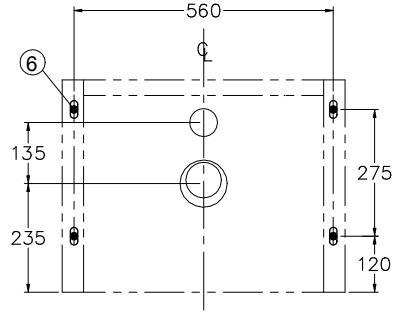
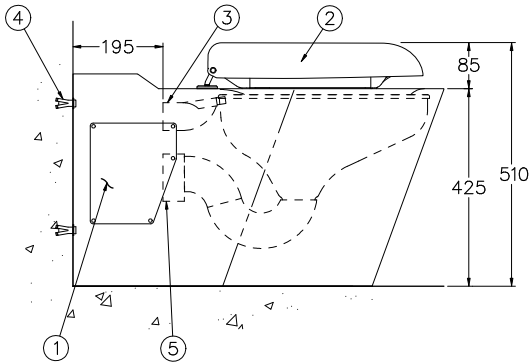
1. If not pre-formed, make sufficient penetrations through the wall, as determined from the drawing, to allow the 100 mm waste pipe, 50 mm flush pipe, and, if necessary, 12 mm fixing rods to pass through. If front fixed, suitable wall anchors supplied by others.
2. Determine floor mounting location by mocking up.
3. Fit a 100 mm pan collar to the outlet with sufficient 100 mm pipe to extend through the wall. (Alternately the waste and flush pipes may be preplumbed and the pan pushed onto the pipework.) If “S” trap configuration is required, location of floor penetration should be centred 220mm from finished wall.
4. Similarly fit a 50 mm keeseal to the pan inlet with sufficient pipe, as provided by the cistern manufacturer, to extend through the wall.
5. Push the pan into position and secure the pan to the wall & floor (fixings by others).
6. Make the necessary connections to the waste, and install the cistern and connect according to the manufacturers instructions.
7. Check for leaks and correct flush volumes, 6 litres full flush and 3 litres half flush.

INSTALLATION, OPERATION AND MAINTENANCE INSTRUCTIONS

Installation



- ① Access Panels
- ② Optional - RBA8186-853 Big John Hinged Seat Rated 545kg
- ③ 55mm ID Flushing Inlet: Keyseal (By Others)
- ④ Wall Anchors and Anchoring Hardware (By Others)
- ⑤ 100mm OD Waste Outlet
- ⑥ Mounting Slots $\varnothing 15\text{mm} \times 38\text{mm}$



View From Rear of Fixture

Front Fixed Shown

Cleaning & Care

Warning

Do not mix different cleaning solutions. Always read cleaning products label for proper use and admonishments.

Recommended Cleaning Materials:

- Sponge - natural or artificial
- Nylon or other soft-bristle brush
- Microfiber Cloth

Recommended Cleaning Solutions:

- Hand dishwashing liquid / soft water solution
- Mild soap / soft water solution
- Soft-Scrub ®
- Comet Soft Cleanser ®
- Clorox ®
- Scrubbing Bubbles ® Gel

Normal Cleaning:

For everyday cleaning use a sponge or cotton cloth soaked in mild soap and wipe-down surface. In industrial or marine locations close attention should be paid to regular care due to harsher atmosphere.

To remove dirt and debris:

Fixture should be periodically washed with a diluted solution of a mild non-abrasive detergent (e.g. Dawn ®) in cold or ambient temperature water using a soft non-abrasive cloth or chamois.

Toilet Fixtures with Enviro-Glaze/ Powder Coating

Never use a plumber's snake to clear severe clogs. The use of the tool will damage the finish, scratch the paint and cause corrosion voiding the warranty. Fixture must be dismantled from the structure sewer connection (floor/wall) and the snake used from the connection into the sewer. Any clog in the fixture trap can be accessed from the outlet of the trap after dismantling.

Cleaning Solutions NOT to be used:

- Kaboom ®
- Lysol ® Gel
- Lysol ® Cling
- The Works
- Petrol products
- Acetates
- Abrasive powders
- Scouring pads
- Toilet cleaners
- Ceramic tile cleaners
- Cleaners containing more than 1% ammonia
- Cleaners containing acids or lye
- Cleaners containing enzymes

Things to Avoid:

- Excessively hot solutions
- Cleaning with a metal brush can scratch or mark the finish which can cause corrosion voiding the warranty
- Using any solvent based solution or abrasive type cleaners
- Applying excessive force during the cleaning process