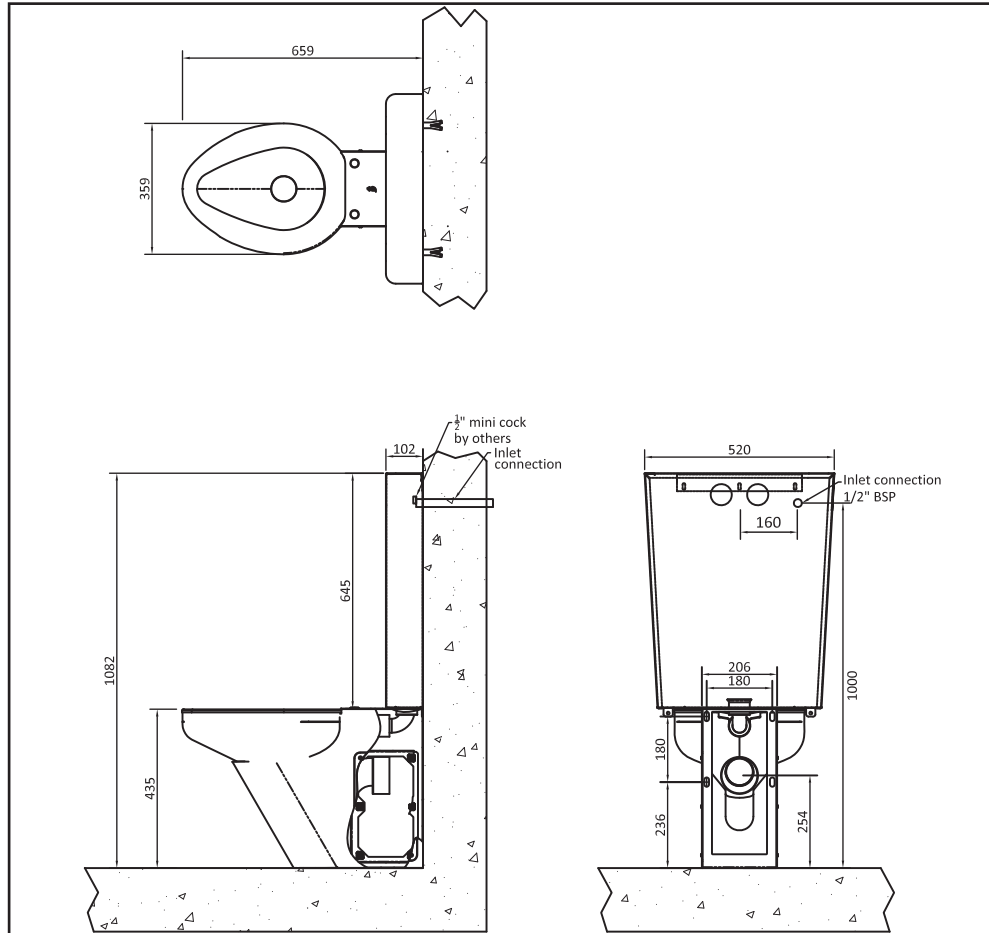


Dimensions & Rough In RBA8847-157



**Note:** This product should be installed, by suitably qualified persons, in a fit for purpose application, to suitable materials, using suitable fixings and comply with any relevant codes. It should be inspected periodically for signs of wear and tear that may affect performance or safety.

Dimensions are subject to manufacturer's tolerance of +/-10mm. Rough-in should be completed with each fixture.

**Important:** Installation Instructions are subject to change without notice. Please visit [www.rba.com.au](http://www.rba.com.au) for latest revision.



RBA8847-156  
RBA8847-157

Ambulant Toilet Suite S-Trap with Seat  
Ambulant Toilet Suite P-Trap with Seat



Model	Ambulant Toilet Suite
Date	07/11/18

Supersedes all previous

## Description

Unit is highly vandal resistant, front fixed and is manufactured from stainless steel. External surface is satin finish. Internal bowl is matt finish for hygiene, easy cleaning and scale resistance. The integrated seat is bright polished for hygiene and comfort. Laser-cut, flush-fitting access panels on both sides are fixed with security screws. Suitable for installations as follows:

RBA8847-156 S Trap - where waste connection is through the floor;

RBA8847-157 P Trap - where waste connection is through the wall.

## Components Supplied

WC Pan  
Cistern  
Cistern Cover  
Buttons  
Toilet Seat with Lid

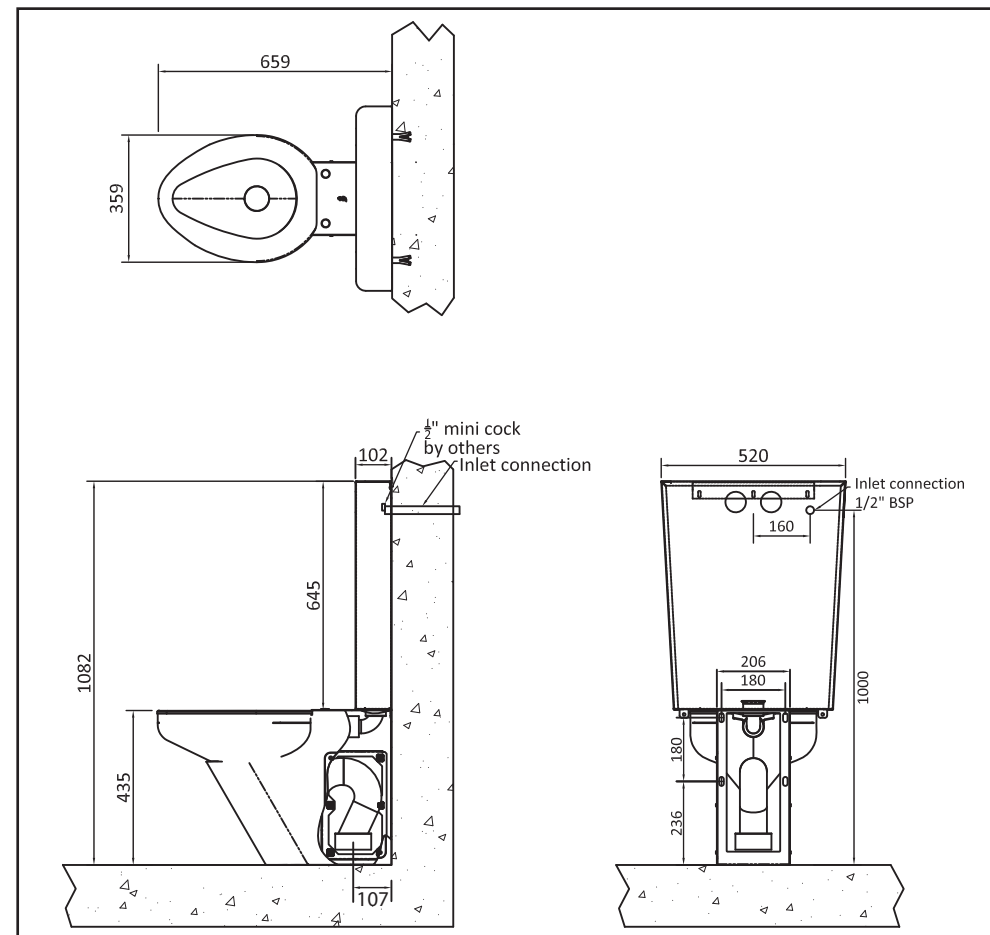
## Components Supplied by Others

Wall/floor anchors  
Key Seal  
½" Mini Cock

## Installation

1. Installation to be in accordance with the AS/NZS3500 series of Standards plus all local and statutory requirements.
2. Remove the access panels in the sides of the pan, using the security bit provided. Install the pan using the 'S' clip provided to secure the pan to the floor. Secure the pan to the wall, with suitable anchors provided by others.
3. Connect the waste.
4. Mount the cistern, secure to the wall and make the necessary water connections. Cistern flush volume has been modified to 6/3L in accordance with the manufacturer's instructions.
5. Install the cistern cover over the cistern and secure.
6. Check for correct operation and leaks.
7. Fit the seat and replace the access panels.
8. Suite should be installed only with the cistern Invisi II (by Caroma)

## Dimensions & Rough In RBA8847-156



**Note:** This product should be installed, by suitably qualified persons, in a fit for purpose application, to suitable materials, using suitable fixings and comply with any relevant codes. It should be inspected periodically for signs of wear and tear that may affect performance or safety.

Dimensions are subject to manufacturer's tolerance of +/-10mm. Rough-in should be completed with each fixture.

**Important:** Installation Instructions are subject to change without notice. Please visit [www.rba.com.au](http://www.rba.com.au) for latest revision.

Acorn Engineering supply the Stainless Steel Toilet and cistern cover. They do not warrant the components supplied by Caroma. These should be covered by Caroma through the supplier.