

INSTALLATION, OPERATION AND MAINTENANCE INSTRUCTIONS



RBA8847-100 Close Coupled Suite
RBA8847-428 Close Coupled Suite Disabled Code



Model	RBA8847-100 RBA8847-428
Date	01/11/18
Doc#	ii/rba8847-100 -428/1118

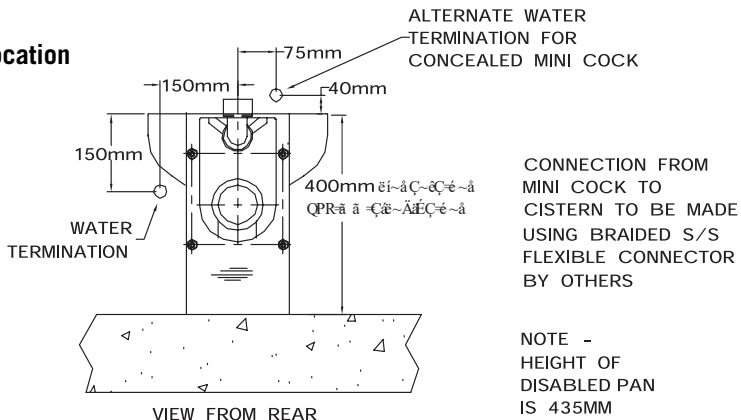
Supersedes all previous

INSTALLATION, OPERATION AND MAINTENANCE INSTRUCTIONS

Installation

1. Installation to be in accordance with the AS/NZ3500 series of Standards plus all local and statutory requirements. For Australia, Installation shall be in accordance with the PCA [Plumbing Code of Australia] and any relevant local authority requirements.
2. Installation to be in accordance with all local and statutory requirements.
3. Remove the access panels in the sides of the pan, using the security bit provided. Install the pan using the 'S' clip provided to secure the pan to the floor. Secure the pan to the wall, with suitable anchors provided by others.
4. If 'S' trap, make connection using the fitting supplied.
5. Cut the flush pipe such that it extends 40mm beyond the inlet socket. Fit the 'O' ring provided as close as possible to the end of the pipe and push the pipe, allowing the ring to roll into the socket.
6. Mount the cistern, secure to the wall using the fixings provided, and make the necessary water connections. Cistern flush volume has been modified to 6/3L in accordance with the manufacturer's instructions. Ensure that the outlet compression nut is tightened.
7. Sit the cistern cover in position on top of the pan, mark the top of the cover, and the location of the holes in fixing lugs on the bottom of the cover. Remove the cover and fix the 'S' clip provided to the wall, such that it engages the return edge of the cover. Drill and plug the holes for the bottom of the cover.
8. While holding the domed cistern push buttons in position in the cover, slide the cover into position, ensuring that the 'S' clip is engaged. Secure the bottom of the cover with screws provided by others.
9. Check for correct operation and leaks.
10. If supplied, fit the seat and replace the access panels.
11. Suite should be installed only with the cistern provided: Stylus Symphony

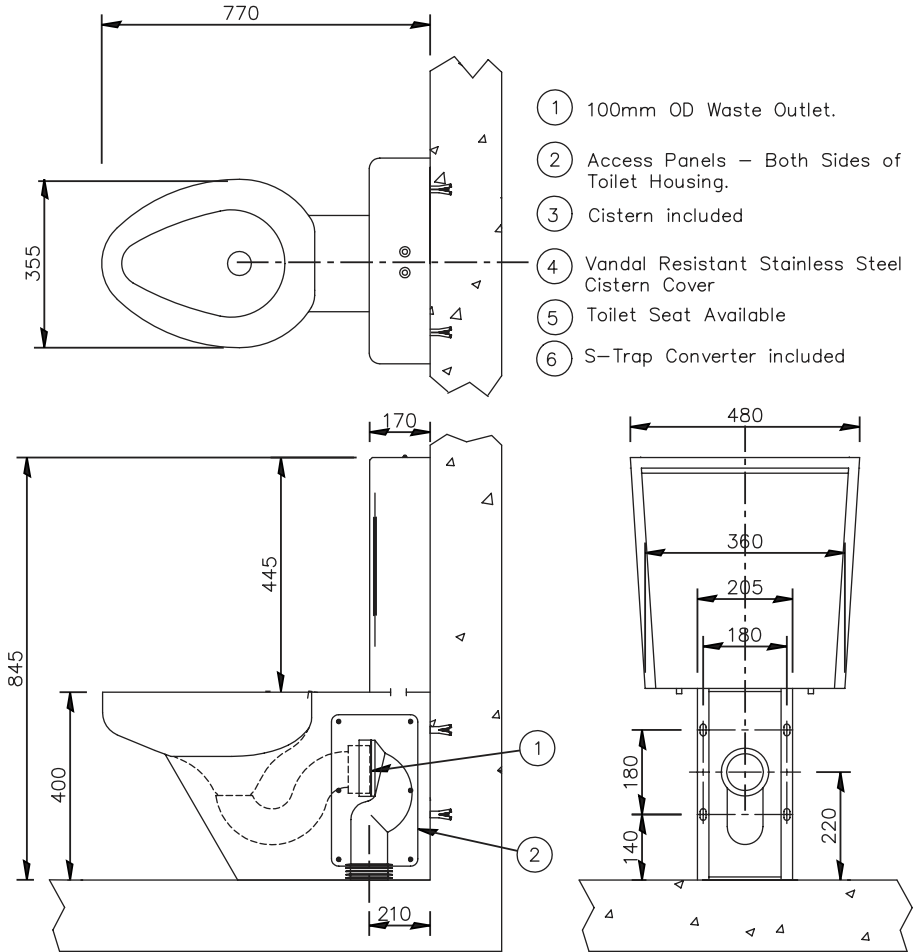
Water Point Location



INSTALLATION, OPERATION AND MAINTENANCE INSTRUCTIONS

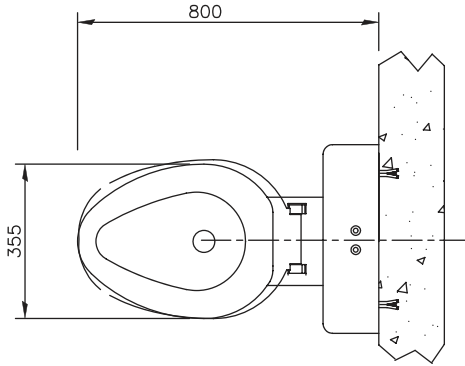
Installation

RBA8847-100 Close Coupled Suite

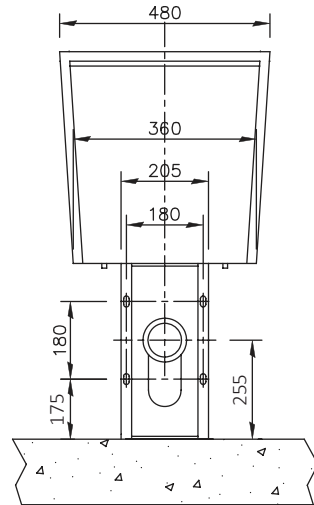
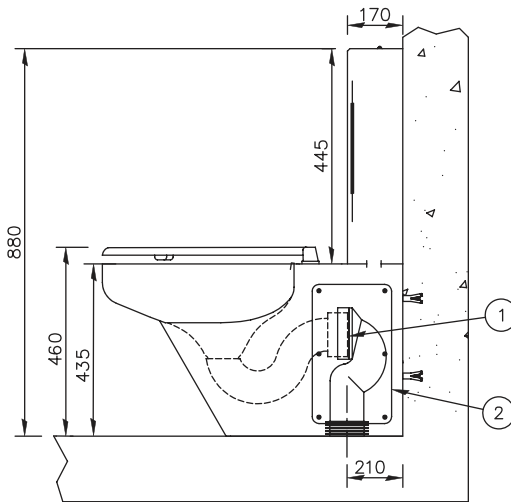


INSTALLATION, OPERATION AND MAINTENANCE INSTRUCTIONS

RBA8847-428 Close Coupled Suite To Suit Disabled Code



- ① 100mm OD Waste Outlet.
- ② Access Panels – Both Sides of Toilet Housing.
- ③ Cistern included
- ④ Vandal Resistant Stainless Steel Cistern Cover
- ⑤ Toilet Seat
- ⑥ S-Trap Converter Included



ii/rba8847-100-428/1118