

NOTES

WARRANTY

This product is subject to a 12 month warranty. Claims should be made by contacting RBA on 1300 788 778 in the first instance. All legislative required warranty provisions will be met by RBA Group. Failure to install, maintain and use the product for its intended purpose may void warranty. Third party or consequential damages are expressly excluded from our warranty. Our standard full warranty conditions and method for claim are on our web site www.rba.com.au



For further information,
contact the nearest RBA Group office:
SYDNEY • MELBOURNE • BRISBANE • PERTH • AUCKLAND
Australia 1300 788 778 | www.rba.com.au
New Zealand 0800 722 111 | www.rbagroup.co.nz



RBA II - RBA8519-SwrRs-Series/0313



INSTALLATION INSTRUCTIONS

SHOWER ROSES

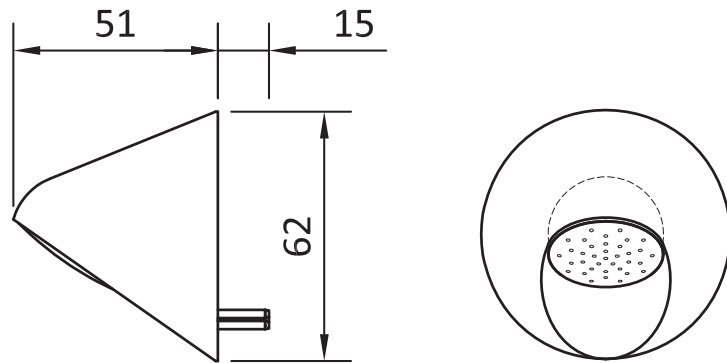


Conical Rose
7 Lpm RBA8519-107
9 Lpm RBA8519-108

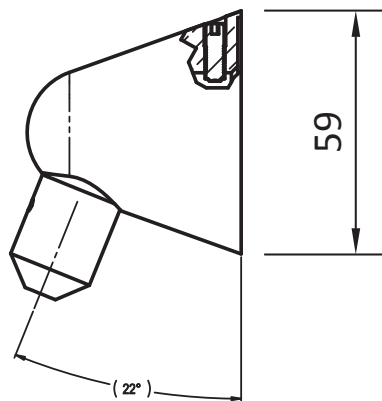


22 Degree Rose
7 Lpm RBA8519-109
9 Lpm RBA8519-110

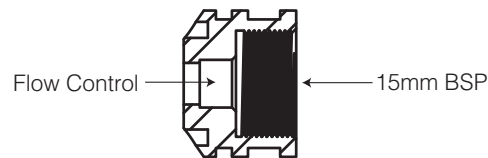
DIMENSIONS



Conical Rose



22 Degree Rose



Adapter

INSTALLATION

Products must be installed as per manufacturers installation instruction and as per AS/NZS 3500.

The security shower rose is manufactured in two parts, the rose and a 15mm female threaded adaptor.

If installing into a masonry wall, a 15mm BSP male thread should be left, 15mm beyond the finished wall.

The threaded adaptor can then be screwed to the thread. Ensure not to damage flow control on installation

The rose can then be fitted, after drilling the surface to accommodate the locating pin. The rose should be locked on using the grub screw located at the top, with a 2.5mm allen key.

The unit is also supplied with a further adaptor and nylon elbow when fitting to a metal panel.

HYDRAULIC REQUIREMENTS

Pressure	150-500 kPa	
Flow Rate	Refer model flow rates or flow control	
Connection	15mm BSP female	
Flow Control	5 Lpm Red	RBA8519-999-001
	7 Lpm Beige	RBA8519-999-002
	9 Lpm Orange	RBA8519-999-003