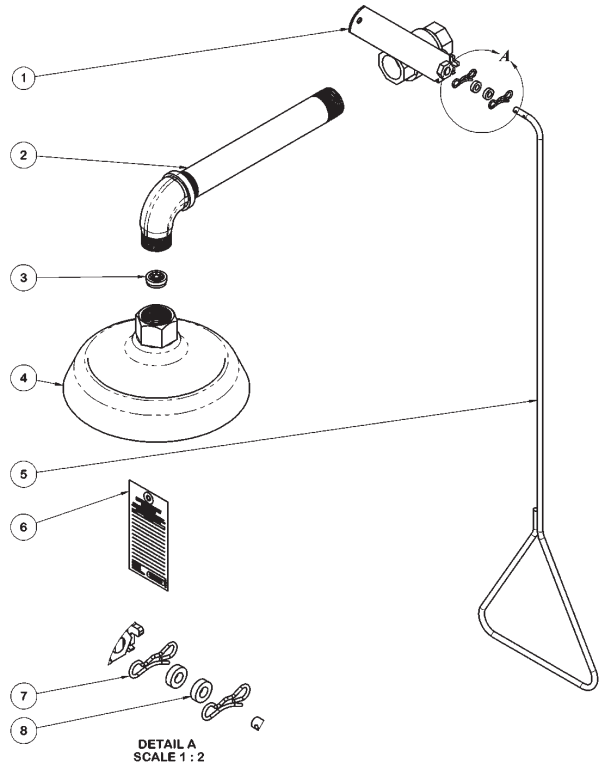


PARTS LIST



ITEM #	PART NUMBER	DESCRIPTION
1	7102-414-002	VALVE ASSEMBLY, STAINLESS
2	7102-414-001	PIPE NIPPLE W/ STREET ELBOW, STAINLESS
3	7102-351-000	FLOW REGULATOR
4	7102-305-001	STN. STL. SHOWER HEAD ASSY
5	7102-345-000	PULL HANDLE 1510mm
	7102-350-000	PULL HANDLE 735mm
6	7100-401-000	SERVICE TAG
7	7100-211-000	BOW-TIE COTTER PIN
8	7100-219-000	NYLON WASHER



For further information,
contact the nearest RBA Group office:
SYDNEY • MELBOURNE • BRISBANE • PERTH
Phone: 1300 788 778 • Fax: 1300 788 878
info@rba.com.au • www.rba.com.au

II/Model RBA8302-200 Series/0810



INSTALLATION INSTRUCTIONS

MODEL RBA8302-200 SERIES HORIZONTALLY MOUNTED ALL STAINLESS SHOWER HEAD



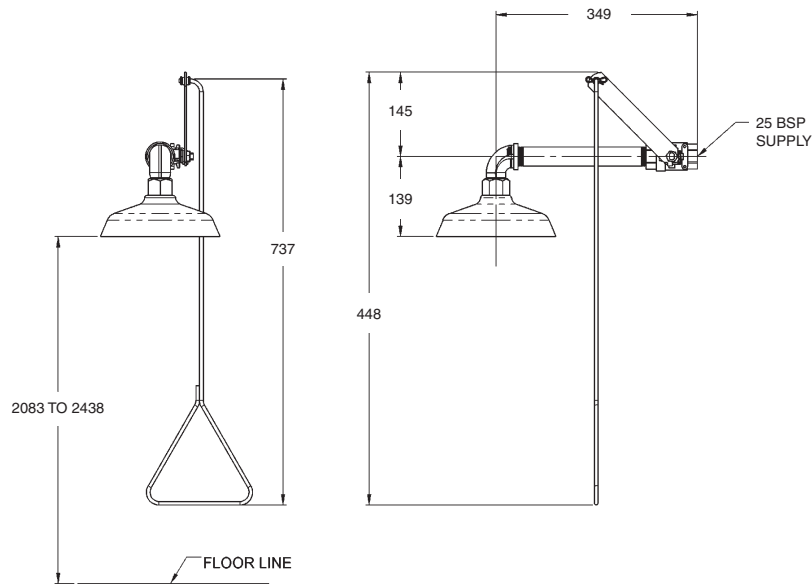
NOTES TO INSTALLER:

- 1) Please leave this documentation with the owner of the fixture when finished
- 2) Please read this entire booklet before beginning the installation
- 3) Check your installation for compliance with plumbing, electrical, AS 4775, and other applicable codes.

INSTALLATION – PRELIMINARY STEPS

- 1) Read the installation instructions prior to beginning the installation
- 2) Separate parts from packaging and verify all necessary parts are accounted for and undamaged. Obtain missing or damaged parts from Acorn Safety prior to beginning installation.
- 3) Flush water supply lines prior to installation. This will remove unwanted debris from the lines and prevent unwanted blockages in the safety equipment.
- 4) In order to comply with AS 4775, the safety equipment must be inspected periodically. An inspection tag has been provided for documentation purposes.
- 5) All employees at risk of contamination should be informed and trained in the use of this and any other safety equipment. The signage provided should be posted appropriately in close proximity to this equipment.

ROUGH-IN



GENERAL NOTES:

1. ALL DIMENSIONS ARE IN MM.
2. AS 4775 REQUIRES THE SHOWER HEAD TO BE MOUNTED BETWEEN 2083mm AND 2438mm ABOVE THE FLOOR.

INSTALLATION

SUPPLIES REQUIRED: (not provided by RBA)

- 1) Wall fasteners for signage mounting.
- 2) Pipe sealant or Teflon tape for sealing water connections.

IMPORTANT: flush water supply lines prior to connection to safety equipment.

Notes:

- Bottom of shower head (shower head rim) must be between 2083 and 2438mm from finished floor in order to meet AS 4775.
- Use hand tools and wrenches in a manner which will prevent marring finished surfaces. Strap wrenches or tools with plastic jaw linings are highly recommended.
- Fragments of Teflon tape or pipe sealant residue can interfere with the proper operation of this unit. Ensure pipe sealant methods do not cause contamination in the equipment.

STEP ONE: MOUNTING

- 1) Locate existing 25mm uninterrupted source of potable water supply (supplied by others) and flush to clear line of contamination.
- 2) Install the unit to the water supply using Pipe sealant or Teflon tape.
- 3) Pipe wrench the unit as required to ensure there are no leaks.
- 4) Open water supply.
- 5) Test for leaks, proper operation and flow.

STEP TWO: SIGNAGE & INSPECTION

- 1) Position sign with clear visibility, in close proximity to safety equipment and mark mounting hole locations.
- 2) Select appropriate 6mm anchors, screws and washers (supplied by others) to install signage.
- 3) Attach inspection tag supplied, with plastic zip tie.