

NOTES



For further information,
contact the nearest RBA Group office:
SYDNEY • MELBOURNE • BRISBANE • PERTH • AUCKLAND
Australia 1300 788 778 | www.rba.com.au
New Zealand 0800 722 111 | www.rbagroup.co.nz

II/Model RBA8300-440 Series/0212



INSTALLATION INSTRUCTIONS

MODEL RBA8300-440 SERIES EYEWASH/FACEWASH



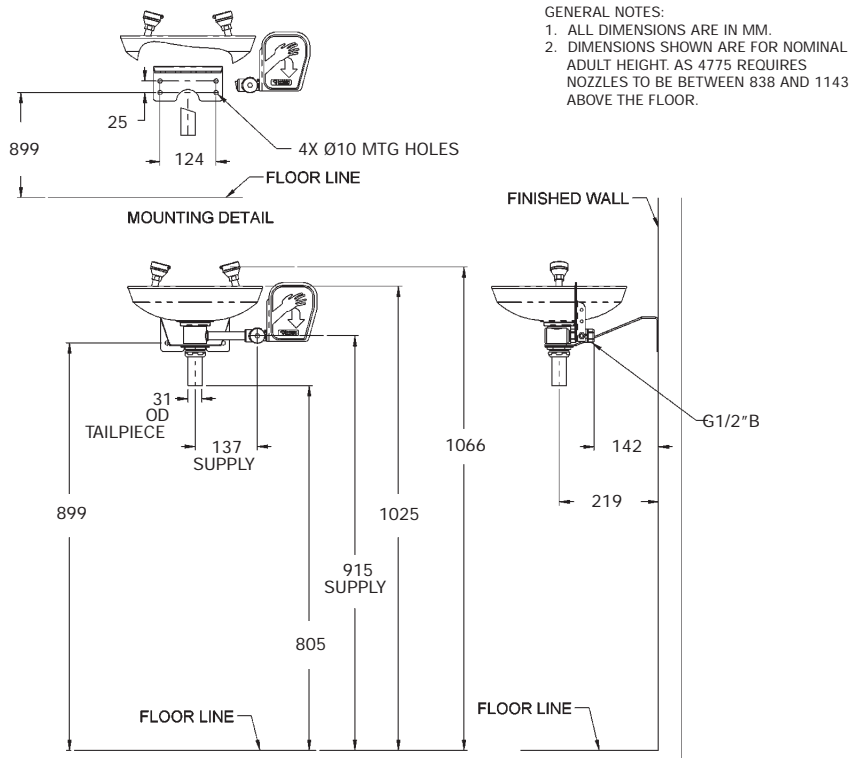
NOTES TO INSTALLER:

- 1) Please leave this documentation with the owner of the fixture when finished
- 2) Please read this entire booklet before beginning the installation
- 3) Check your installation for compliance with plumbing, electrical, AS 4775, and other applicable codes.

INSTALLATION — PRELIMINARY STEPS

- 1) Read the installation instructions prior to beginning the installation
- 2) Separate parts from packaging and verify all necessary parts are accounted for and undamaged. Obtain missing or damaged parts from Acorn Safety prior to beginning installation.
- 3) Flush water supply lines prior to installation. This will remove unwanted debris from the lines and prevent unwanted blockages in the safety equipment.
- 4) In order to comply with AS 4775, the safety equipment must be inspected periodically. An inspection tag has been provided for documentation purposes.
- 5) All employees at risk of contamination should be informed and trained in the use of this and any other safety equipment. The signage provided should be posted appropriately in close proximity to this equipment.

ROUGH-IN



INSTALLATION

- SUPPLIES REQUIRED:** (not provided by RBA)
- 1) Wall fastener anchors, washers and bolts for eyewash assembly. (Machine threads or lag bolts based on construction.)
 - 2) Wall fasteners.
 - 3) Pipe sealant or Teflon tape for sealing water connections.
 - 4) 40mm p-trap/drain connection.

IMPORTANT: flush water supply lines prior to connection to safety equipment.

Notes:

- Top of spray nozzles must be between 838 - 1143mm from finished floor in order to meet AS 4775
- Use hand tools and wrenches in a manner which will prevent marring finished surfaces. Strap wrenches or tools with plastic jaw linings are highly recommended.
- Refer to Rough-in for location of supply and drain lines.
- Fragments of Teflon tape or pipe sealant residue can interfere with the proper operation of this unit. Ensure pipe sealant methods do not cause contamination in the system.

Step One: MOUNTING

- 1) Position assembly on wall at appropriate height and in proximity to the supply and drain lines.
- 2) While holding the assembly level against the wall, mark position of mounting bolt holes.
- 3) Remove assembly and install appropriate anchors into wall to receive 10mm diameter bolts (supplied by others).
- 4) Re-position assembly against wall and install 10mm bolts to secure the assembly to the wall.

Step Two: DRAIN LINE

- 1) Install sanitary drain line (supplied by others), if not already done, in a position which will align with eyewash assembly as shown in rough in.
- 2) Install 40mm waste
- 3) Connect Assembly drain with 40mm waste p-trap or elbow connection. (Supplied by others) to the sanitary drain previously mentioned.

INSTALLATION

Step Three: SUPPLY LINE

1) Install water line (Supplied by others), in a position, to align with ½" ball valve as shown in Rough- in.

2) Make connection to ½" adapter with appropriate fittings (Supplied by others).

Note: Large fittings need to be avoided in the area as shown in the figure to the right, to avoid interference with valve paddle activation.

3) Open water supply.

4) Test for leaks, proper operation and flow.

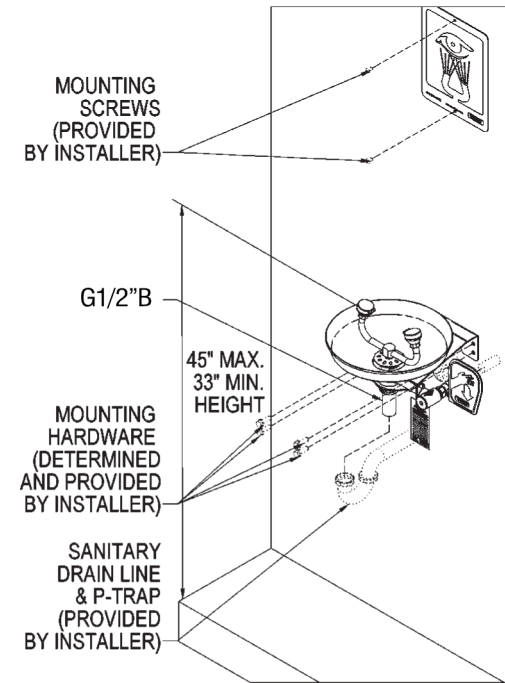
Step Four: SIGNAGE & INSPECTION

1) Position sign with clear visibility, in close proximity to safety equipment and mark mounting hole locations.

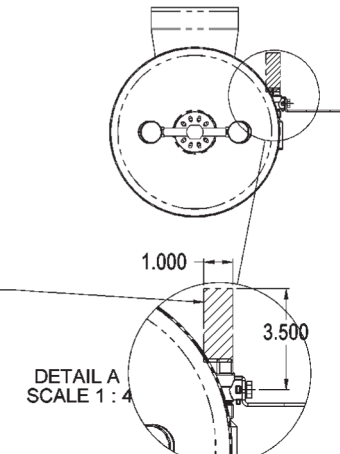
2) Select appropriate 6mm anchors, screws and washers (Supplied by others) to install signage.

3.) Attach inspection tag supplied, with plastic zip tie.

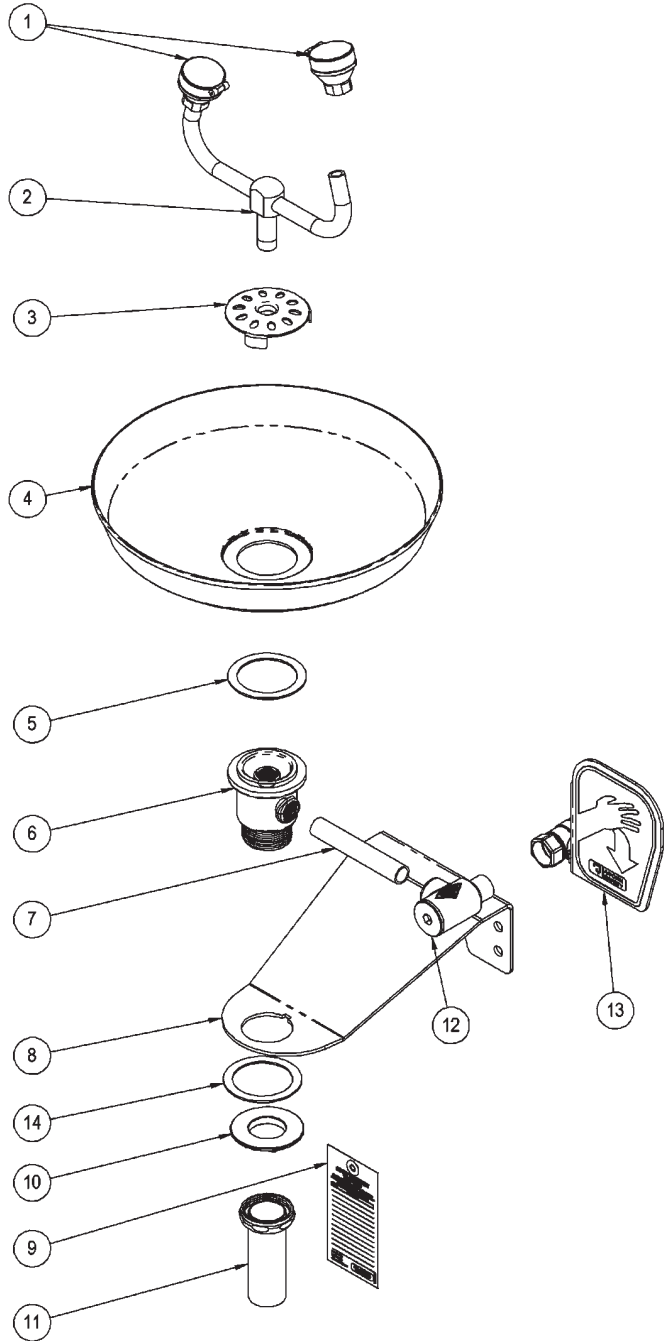
INSTALLATION



AVOID INSTALLATION OF PIPE OR FITTINGS OVER 1" DIA. IN THIS ZONE TO PREVENT INTERFERENCE WITH PADDLE ACTIVATION.



PARTS LIST



PARTS LIST

ITEM #	PART NUMBER	DESCRIPTION
1	7101-100-001	EYEWASH NOZZLE
	7101-104-001	FACEWASH NOZZLE
	7101-112-001	S/S EYEWASH NOZZLE
	7101-057-001	EYEWASH NOZZLE W/ S/S LID
	7101-058-001	FACEWASH NOZZLE W S/S LID
2	7101-404-001	S/S YOKE STEM ASSEMBLY
3	7100-108-000	BOWL STRAINER
4	7100-008-000	S/S BOWL
5	7101-048-000	S/S BOWL GASKET
6	7101-073-001	S/S BASIN FLANGE
7	7101-045-000	S/S SUPPLY TUBE
8	7101-012-199	S/S WALL MOUNTING BRACKET
9	7100-401-000	INSPECTION TAG
10	7100-144-199	S/S JAM NUT
11	7100-113-001	1 1/4ODx2.75 CHROME TAILPIECE ASSY
12	7101-075-001	S/S WATER SUPPLY STRAINER
13	7101-210-001	S/S BALL VALVE PADDLE ASSY
14	7100-227-000	S/S WASHER