

INSTALLATION, OPERATION AND MAINTENANCE INSTRUCTIONS



RBA2765-000 **Sensor Activated Semi Recessed Bottle Filler**
RBA2765-001 **Push Button Semi Recessed Bottle Filler**



Model	Semi-Recessed Bottle Filler
Date	17/06/14

Supersedes all previous

INSTALLATION, OPERATION AND MAINTENANCE INSTRUCTIONS

Note to Installer

- Please leave this documentation with the owner of the fixture when finished.
- Please read this entire booklet before beginning the installation.
- Check your installation for compliance with plumbing, electrical and other applicable codes.
- Unit to be installed in accordance with AS3500.1 & AS 3500.2 and other local codes.

Prior to Installation

IMPORTANT

1. Read all installation instructions carefully, before proceeding.
2. Carefully remove all fixture components from packaging, preventing scratching or damage.
3. Provide mounting surface, sufficient to support the fixture and loads on the fixture.
4. Provide rough-ins as shown on the roughing-in and dimensional drawing, including water supply, drain pipe and gravel drain well. (See pages 2 or 3 for rough-in details)
5. On the semi-recessed bottle filler assembly, unlock and swing open the hinged door assembly to expose internal components. Disconnect 1/4" O.D. polyethylene tube connection from the hinged door assembly. Then remove the hinged door assembly from mounting frame by unlatching insert clip hinges.
6. Completely flush water supply lines of all foreign debris, before connecting to the fixture.

IMPORTANT Some options may slightly alter installation. To ensure proper installation review the manual thoroughly and verify rough-ins before beginning any work. File this manual with the owner or maintenance personnel upon completion of installation.

- Fixture mounting requirements: industry standard wall construction, adequate to support the fixture and installer provided wall anchors sufficient to secure the fixture.
- Where applicable, receptacle(s) must be wired to a GPO protected circuit. Fixture must be grounded to earth as per relevant Australian Standards.
- Inspect fixture and all parts from damages and all parts are bolted on.

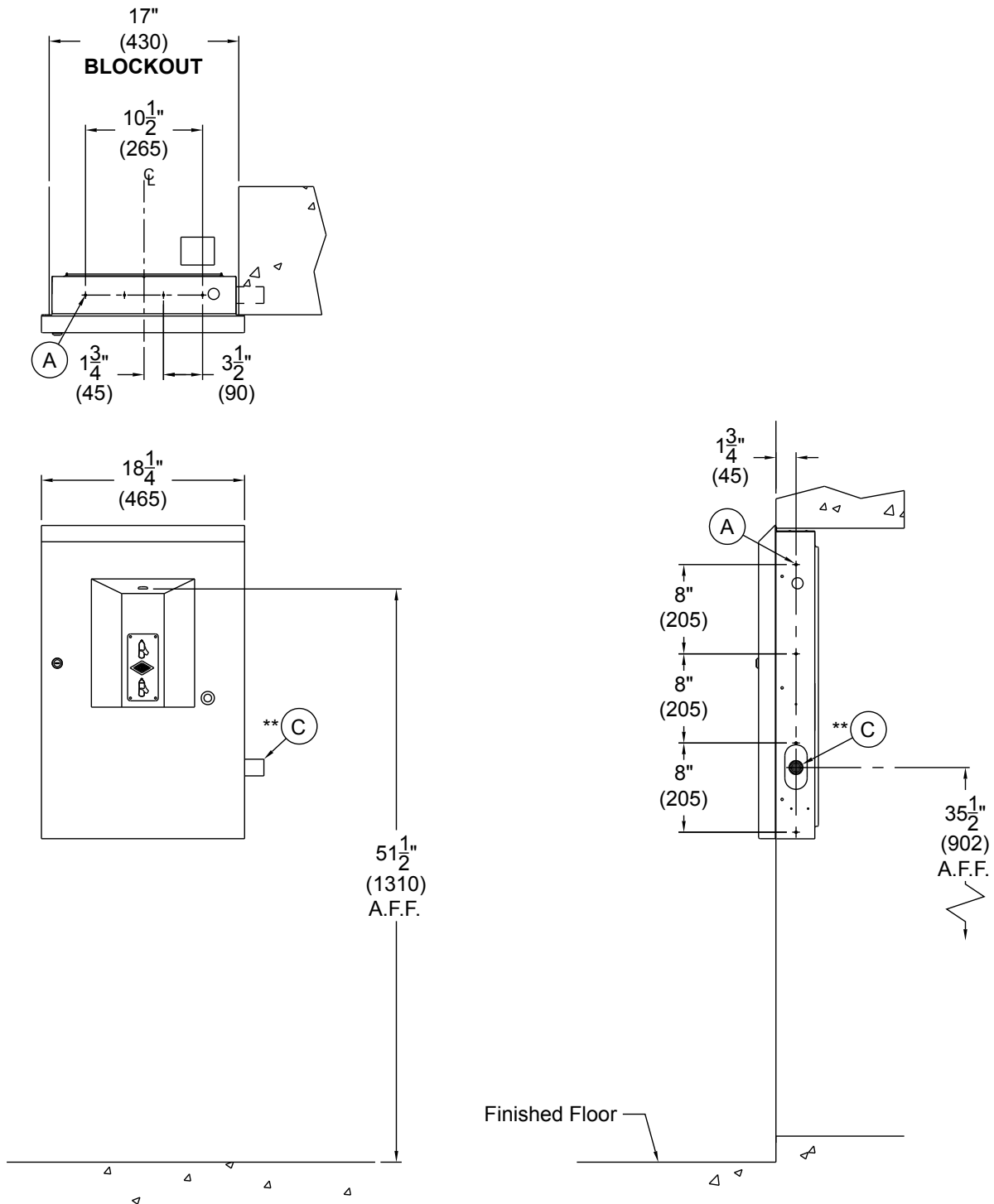
Rough-in and Dimensional Drawing

GENERAL NOTES

1. All dimensions are in inches [mm].
2. Dimensions shown are for recommended adult height. Adjust vertical dimensions as necessary to comply with federal, state, & local codes.
3. Water lines from chiller to foundation should be covered with sponge foam rubber or ice water type insulation of adequate thickness.

INSTALLATION, OPERATION AND MAINTENANCE INSTRUCTIONS

ROUGH-IN AND DIMENSIONAL DRAWING



GENERAL DIMENSIONS:

1. ALL DIMENSIONS ARE IN INCHES (MM)
2. STOP VALVE NOT PROVIDED

NOTE: RIGHT, LEFT, AND REAR WASTE ORIENTATION ARE OPTIONAL IF NEEDED FOR CALLOUTS INDICATED **.

- (A) ANCHORING HARDWARE BY OTHERS
- (B) 3/8" OD COPPER SUPPLY INLET
- (C) WASTE OUTLET LOCATION

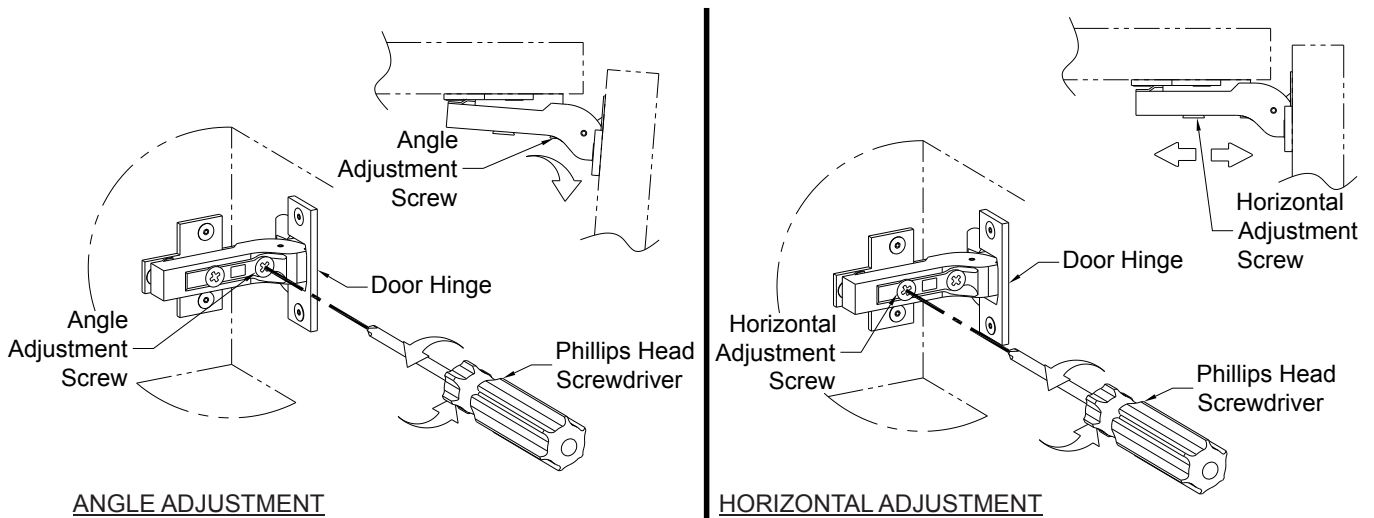
INSTALLATION, OPERATION AND MAINTENANCE INSTRUCTIONS

Installation

INSTALLATION

1. Insert frame assembly into the rough-in block out and secure using mounting hardware (Provided by others)
2. Using #10-32 x 1/2" Hex Btn Screws provided mount bottle filler mounting frame.
3. Make up the inlet supply connection to Bottle Filler.
4. Make up waste connection to unit through side or rear waste connection location.
5. Attach hinged door assembly to mounting frame by latching insert clip hinges. Make necessary adjustments to hinges with the adjustment screw to prevent door from rubbing on wall when opening. Refer to door hinge adjustment detail below.
6. Make up all power connections where applicable.
7. Test for leaks and proper operation, and then install the door using the hinges provided.

HINGE ADJUSTMENT



Start Up Procedure

START UP

Air within the bottle filler system or the structure supply piping will cause an irregular spout outlet stream until purged out by incoming water. Press and hold pushbutton until steady water stream is achieved.

SENSOR OPERATION INSTRUCTIONS

Hold container to be filled just below the sensor in the center of the filler spout and then move the container upward and water flow will start automatically. When the container is almost filled, lower the container below the sensor until the water stops flowing. (see label on the bottle filler).

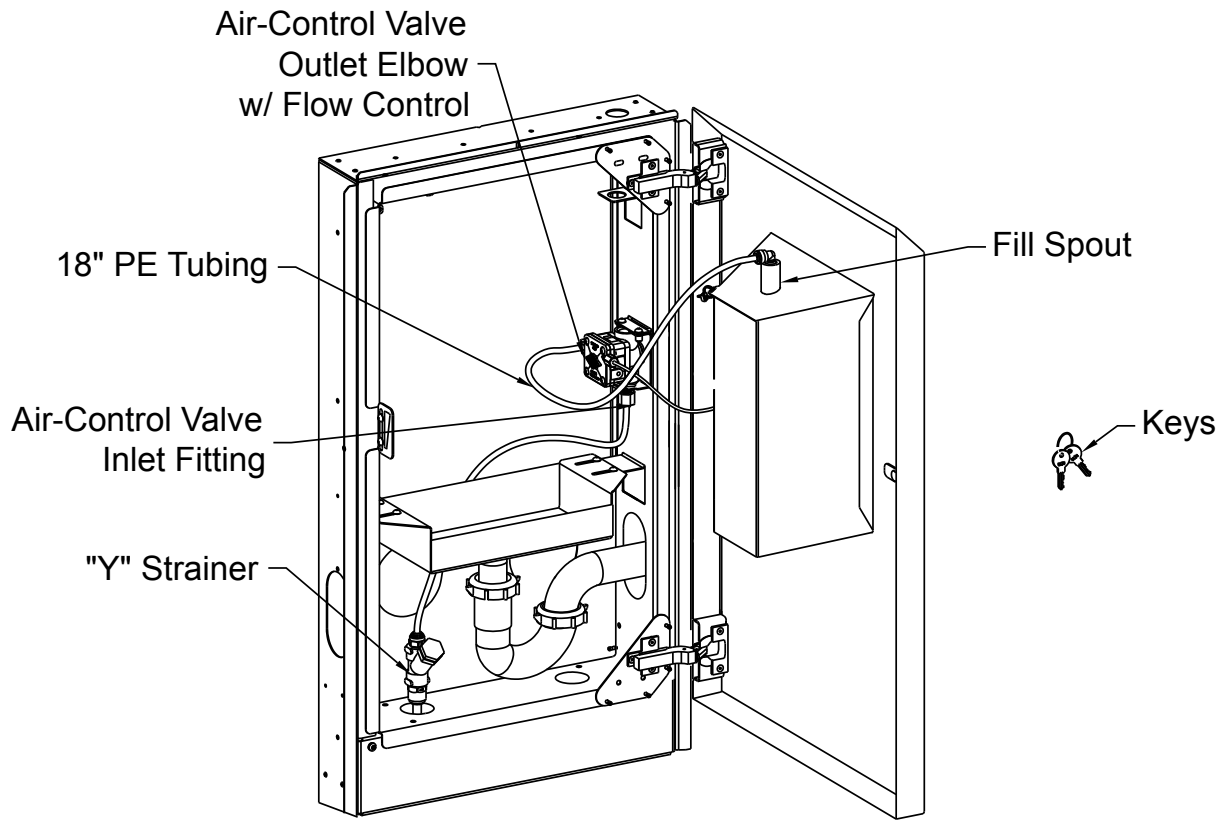
HAND OPERATION INSTRUCTIONS

Hold container to be filled just below the filler tube in the center of the unit, then push pushbutton. When the container is almost filled, release the pushbutton.

INSTALLATION, OPERATION AND MAINTENANCE INSTRUCTIONS

Water Tubing Connections

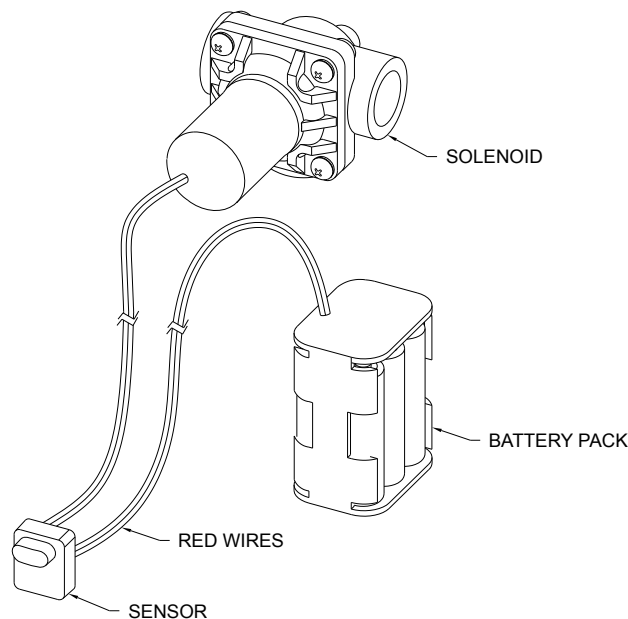
NOTE: Insulation on all water tubes not shown.



Sensor Bottle Filler

FOR BATTERY OPERATION

1. Peel off paper backing from hook & loop pads then press battery holder firmly in place. (See Ref. Below). Connect the battery holder wires to the red sensor wires. Unit requires six AA, alkaline or lithium batteries (not included). **Note: When the battery holder is connected, the unit active.**
2. Connect the blue sensor wires to the solenoid valve wires.(See Below)



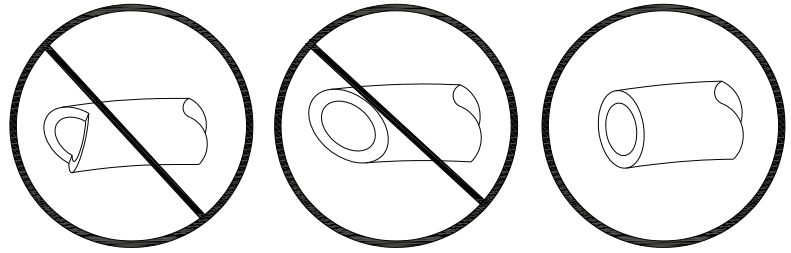
INSTALLATION, OPERATION AND MAINTENANCE INSTRUCTIONS

Push-in Fitting Installation

Note: Fittings and tube should be kept clean, bagged and undamaged prior to installation.

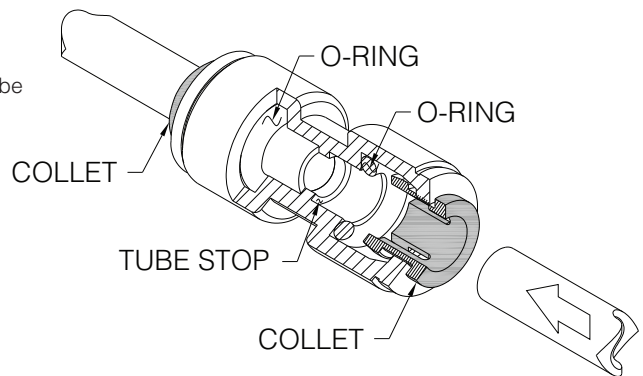
TO CUT TUBE

Cut to fit length of 1/4" PE tubing and remove any burrs or sharp edges. Ensure that the outside diameter is free from score marks. Tube ends should be square.

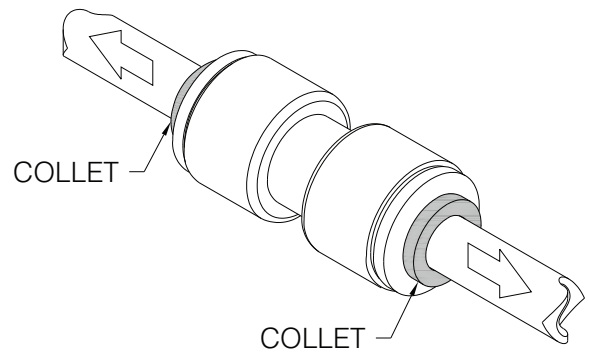


INSERTING THE TUBE

1. Firmly and fully insert the tubing end into the push-in fitting up to the tube stop located approximately 1/2" deep.

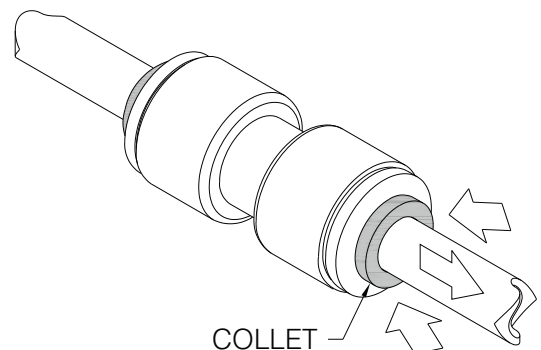


2. Pull on the fitted tubing to ensure it is secure. Tube should not come free from the fitting. Water test the connection assembly prior to leaving the site to ensure there are no leaks.



DISCONNECTING THE TUBE

To disconnect the tube from the fitting ensure that the water line is depressurized. Push collet square towards the push-in fitting body and hold. While holding the collet in, pull on the PE tubing to remove from the push-in fitting.



INSTALLATION, OPERATION AND MAINTENANCE INSTRUCTIONS

Trouble Shooting

IMPORTANT: Before making any of the repairs listed, make sure the waterchiller is disconnected from the electrical supply and the water supply valve is shut off.

1. Restricted Or No Water Flow
 - a. Ensure Water Supply service stop valve is fully open.
 - b. Verify minimum 200-500kpa supply line flow pressure.
 - c. Check for twist or kinks in spout tubing.
 - d. Check the water inlet "Y" strainer. Sediment from the main supply can get trapped in the screen along with installation materials such as pipe dope and flux. The screen should be cleaned and checked on a regular basis and replaced if needed.
 - e. Flow control in solenoid valve outlet elbow clogged remove & clean.
 - f. Refer Airtrol trouble shooting guide for issues with push button valve.

SENSOR TROUBLE SHOOTING:

1. If Light Within Sensor Does Not Flash Once When User Is Within Range
 - a. Verify 9VDC output of battery pack.
 - b. Replace defective batteries.
 - c. Sensor in "Security Mode" after 30 seconds of constant detection. Remove source of detection and wait 30 seconds before checking.
 - d. Sensor is picking up a highly reflective surface. Eliminate cause of reflection and wait 30 seconds before checking.
2. If Light Within Sensor Lens Flashes Once When The User Is Within Range
 - a. Repair bad connection from sensor to solenoid.
 - b. There is debris or scale in the solenoid assembly. Remove solenoid, pull out plunger and spring. Clean with scale remover solution.
 - c. There is debris or scale in center or two holes in convolution of the water diaphragm.
 - d. Remove and clean.

Cleaning & Maintenance Guide

For Powder coated units:

Units should be cleaned using a mild soap solution with a sponge or cotton cloth. Wipe down surfaces then rinse with clean water.

For Stainless steel units:

1. To remove water spots or rust spots, stainless steel cleaner/polish on a cloth is recommended.
2. If there are stubborn spots or if you wish to treat a scratch, synthetic abrasive general purpose pads such as scotch brite are recommended.
3. Apply stainless steel cleaner/ polish to the synthetic abrasive pads and carefully rub the panel with the grain.
4. **DO NOT** use harsh chemicals, abrasive or petroleum based cleaners. Use of these will void the Acorn warranty. **DO NOT** use abrasives on powder coated units.
5. Stainless steel should be kept clean at all times. If a coating of stainless steel cleaner/polish is maintained, stainless steel surfaces will retain their new, clean, polished appearance indefinitely.
6. Periodically remove access panel of cooler and clean out inline "Y" strainer.

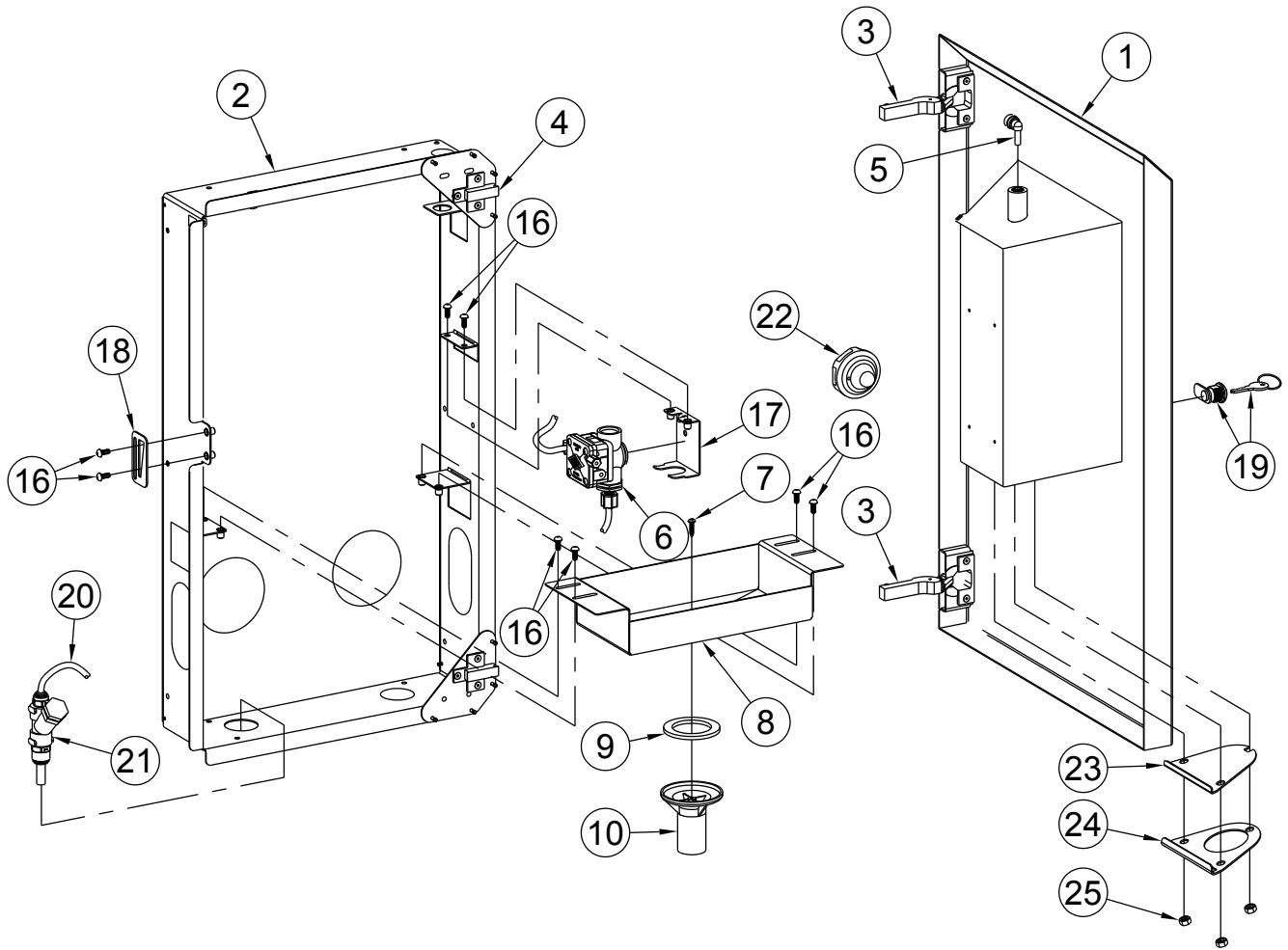
Replacement Parts

OPTIONAL BATTERY REPLACEMENT:

1. Unlock and swing open bottle filler door and remove battery pack from placed location. Do not disconnect the wires from the battery pack unless necessary.
2. Replace the six alkaline AA batteries while observing polarity.
3. Place the battery pack back to mounted location and test for proper operation. Then close bottle filler door and lock.

INSTALLATION, OPERATION AND MAINTENANCE INSTRUCTIONS

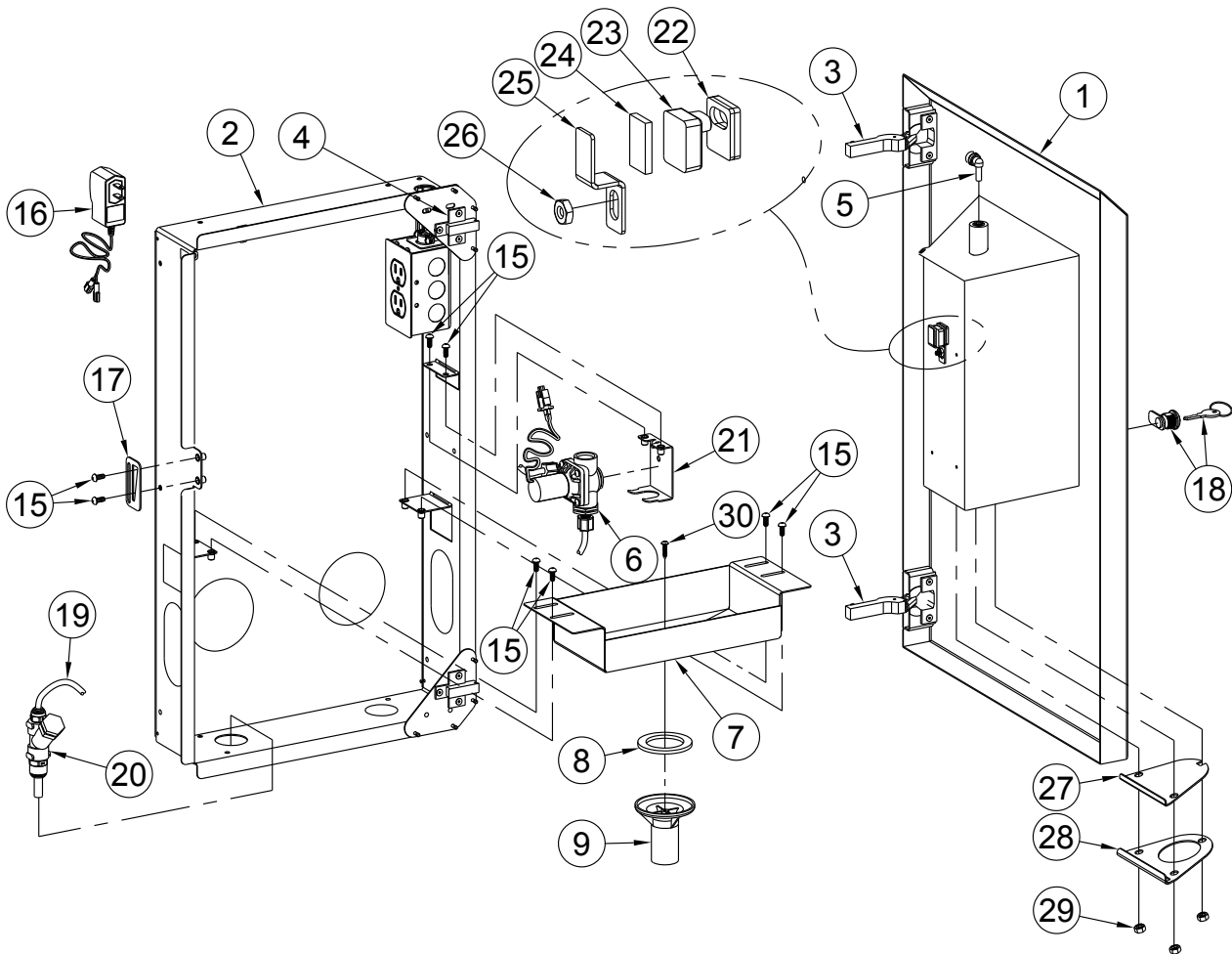
Push Button Bottle Filler Parts List



ITEM #	PART NUMBER	DESCRIPTION	ITEM #	PART NUMBER	DESCRIPTION
1	7013-139-001	Front Panel Assembly	16	0116-003-000	#10-32 X 1/2" S/S Phil Hd Screw
2	7013-109-001	Mounting Frame Assembly	17	7013-125-001	Air-Control Valve Bracket
3	6354-012-000	Insert Clip Hinge	18	7013-118-199	Latch Adjustment Bracket
4	6354-020-000	0Mm Clip Base Plate	19	7013-108-003	Cylinder Lock And Key Assembly
5	1895-709-000	1/4" Push-In Elbow	20	2169-000-000	1/4" O.D. Blue Tubing
6	7013-137-001	Air Control Valve Assembly	21	7000-021-001	"Y" Strainer Assembly
7	0110-003-000	#8-3/4" Pan Head Screw	22	2566-150-001	Hemispherical Pushbutton
8	7013-102-002	Drain Tray	23	7013-103-199	Mesh Screen
9	7000-006-000	Drain Adapter Gasket	24	7013-114-199	Screen Ring
10	7003-186-199	1-1/4" X 2-3/4" Plastic Drain Tube	25	0302-005-000	1/4-20 Unc Strn. Stl. Hex Nut

INSTALLATION, OPERATION AND MAINTENANCE INSTRUCTIONS

Sensor Bottle Filler Parts List



ITEM #	PART NUMBER	DESCRIPTION	ITEM #	PART NUMBER	DESCRIPTION
1	7013-108-001	Front Panel Assembly	19	2169-000-000	1/4" O.D. Blue Tubing
2	7013-109-001	Mounting Frame Assembly	20	7000-021-001	Y Strainer Assembly
3	6354-012-000	Insert Clip Hinge	21	7013-125-001	Solenoid Bracket Assembly
4	6354-020-000	0Mm Clip Base Plate	22	7013-009-001	Nano Sensor Spacer
5	1895-709-000	1/4" Push-In Elbow	23	7013-057-002	Nano Sensor Assy
6	7013-133-001	Valve Assembly	24	7013-019-199	Foam Tape
7	7013-102-002	Drain Tray	25	7013-010-199	Nano Sensor Bracket
8	7000-006-000	Drain Adapter Gasket	26	0302-003-000	#8-32 Hex Nut
9	7003-186-199	1-1/4" X 2-3/4" Lastic Drain Tube	27	7013-103-199	Mesh Screen
15	0116-003-000	#10-32 X 1/2" S/S Phil Hd Screw	28	7013-114-199	Screen Ring
16	0710-730-001	9V Plug-In Transformer	29	0302-005-000	1/4-20 Unc Strn. Stl. Hex Nut
17	7013-125-001	Valve Bracket Assembly	30	0110-003-000	#8-3/4" Pan Head Screw
18	7013-108-003	Cylinder Lock Assembly			

INSTALLATION, OPERATION AND MAINTENANCE INSTRUCTIONS



Notes

Contact Us

1300 788 778

www.rba.com.au
sales@rba.com.au

SYDNEY

Level 1, 32 Frederick St
Oatley, 2223

MELBOURNE

Unit 9, 56 Norcal Rd
Nunawading, 3131

BRISBANE

Unit 13, 54 Nealdon Dr
Meadowbrook, 4131

0800 722 111

www.rbagroup.co.nz
sales@rbagroup.co.nz

AUCKLAND

300 Richmond Road
Grey Lynn 1021