

## SPARE PARTS

FIGURE 2

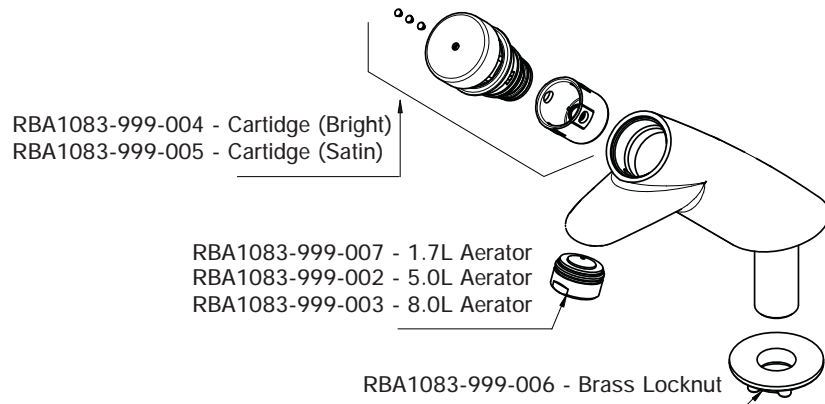


FIGURE 3



Model Number	Part Description
RBA1083-999-001	Spanner Key
RBA1083-999-007	Aerator 1.7L
RBA1083-999-002	Aerator 5.0L
RBA1083-999-003	Aerator 8.0L
RBA1083-999-004	Cartridge with Coloured Plugs (Bright)
RBA1083-999-005	Cartridge with Coloured Plugs (Satin)
RBA1083-999-006	Brass Locknut
RBA1083-999-009	Heavy Duty Brass Locknut (57mm Dia)
RBA1083-999-010	Heavy Duty Brass Locknut (45mm Dia)



For further information,  
contact the nearest RBA Group office:  
**SYDNEY • MELBOURNE • BRISBANE • PERTH • AUCKLAND**  
Australia 1300 788 778 | [www.rba.com.au](http://www.rba.com.au)  
New Zealand 0800 722 111 | [www.rbagroup.co.nz](http://www.rbagroup.co.nz)



RBA II - RBA1083-Series/0513



## INSTALLATION INSTRUCTIONS

### RBA1083-Series



### SELF CLOSING PILLAR COCK

- RBA1083-400
- RBA1083-407
- RBA1083-600
- RBA1083-607
- RBA1083-650
- RBA1083-657

## TECHNICAL DATA

Inlet	½" BSP (G1/2")
Operating pressure	200 – 500 kPa
Flow Time	3-10 seconds* (not adjustable)
Maximum Temp.	40°C
Flow Rate	1.7L per minute, 5.0L per minute, 8.0L per minute
Warranty	2 Years

\* Variances may occur due to site conditions

## DIMENSIONS

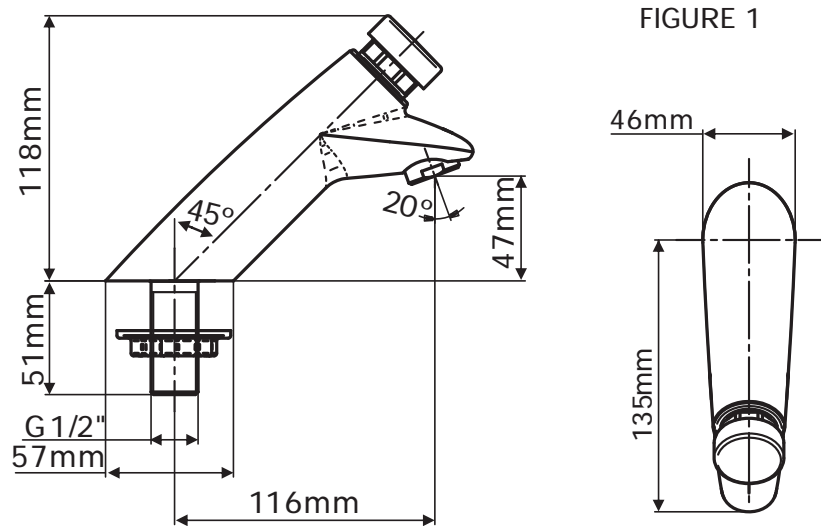


FIGURE 1

## DESCRIPTION

Self closing pillar cock is designed for vandal prone areas, cast from 300 series stainless steel, with either polished or satin finish. Single connection, valve will deliver cold or pre mixed water, single temperature only.

<b>RBA1083-650</b>	Bright Polished Stainless Steel, 6 Star WELS, 1.7Lpm
<b>RBA1083-657</b>	Satin Stainless Steel, 6 Star WELS, 1.7Lpm
<b>RBA1083-600</b>	Bright Polished Stainless Steel, 6 Star WELS, 5.0Lpm
<b>RBA1083-607</b>	Satin Stainless Steel, 6 Star WELS, 5.0Lpm
<b>RBA1083-400</b>	Bright Polished Stainless Steel, 4 Star WELS, 8.0Lpm
<b>RBA1083-407</b>	Satin Stainless Steel, 4 Star WELS, 8.0Lpm

## INSTALLATION

1. Installation must be carried out in accordance with local authority requirements.
2. Flush the line thoroughly, and remove all dirt and grit from the line before connecting the valve.
3. Install the tap in the basin, tightening with basin spanner or suitable tool.
4. Connection may be made with either flexible s/s braided hose, or copper tube and compression fittings.
5. Before turning on the water remove the aerator and flush the valve.
6. Replace the aerator and check for leaks.
7. Fit appropriate coloured indicator to the handle.

## TROUBLE SHOOTING

PROBLEM	POSSIBLE CAUSES	SOLUTION
No flow or low volume	Water turned off Aerator blocked	Turn on Remove and clean*
Water flows Continuously or short/long flow times	Cartridge blocked with dirt Cartridge damaged	Remove and clean* Replace the cartridge*
Leak under knob	Cartridge damage	Replace the cartridge*

\* To remove the aerator and cartridge, use the Spanner Key (fig. 3)  
(Not supplied with the pillar cock)

## NOTES

---



---



---



---