

# INSTALLATION, OPERATION AND MAINTENANCE INSTRUCTIONS



**RBA2764-Series**  
**RBA2760-Series**

Sensor Operated Series  
Push Button Series



**RBA2760-032** Recessed Water Cooler  
Push Button with  
Flexible Bubbler



Model	AquaRecessed Wall Mounted Water Coolers
Date	17/03/14

Supersedes all previous

# INSTALLATION, OPERATION AND MAINTENANCE INSTRUCTIONS

## Note to Installer

- Please leave this documentation with the owner of the fixture when finished.
- Please read this entire booklet before beginning the installation.
- Check your installation for compliance with plumbing, electrical and other applicable codes.
- Unit to be installed in accordance with AS3500.1 & AS 3500.2 and other local codes.

### IMPORTANT

This fixture is intended to dispense water that has been lowered in temperature, but otherwise remains unchanged by the materials in the water cooler. It is common for electrical equipment to be grounded to water lines either within a structure or away from it. Every attempt should be made to prevent this kind of grounding from generating electrical feedback into the water cooler creating electrolysis. Electrolysis will cause a metallic taste or cause water metal content to increase.

### NOTICE

A dielectric coupling must be used to connect the water chiller to the water supply. A nonmetallic coupler is furnished with this water cooler to meet this requirement.

## Prior to Installation

### IMPORTANT

1. Waste P-Trap and Water Supply Service Stop Valve to be supplied by others in accordance with local codes.
2. Water supply is 1/2" BSP connection. Waste is 40mm BSP connection.
3. Completely flush supply lines of all foreign debris before connecting to fixture. Optional water filter is available should there be problems from the water supply with taste, odor, color, or sediment.
4. **WARNING:** Warranty is voided if installation is not made following current Acorn Aqua installation instructions and if components are assembled to the fixture that are not approved by Acorn Aqua.
5. Fixture operates within water pressure range of 200 to 600 kpa. Acorn Aqua will not warranty fixtures damaged when connected to supply lines with flow pressure lower than 200 kpa or higher than 600 kpa. A pressure regulator must be furnished by others on supply line if inlet pressure is greater than 200 kpa.

## Installation Instructions

### INSTALLATION

1. Install the Mounting Frame Assembly for the Chilled Fountain. Center the Frame Assembly and securely install per Rough-In number 7020-000-001.
2. Place the Chiller Unit onto the basepan of the Fountain Frame Assembly.
3. Securely hang the Fountain Assembly on the top flange of the Frame Assembly making sure that the flanges engage.
4. Secure the Fountain to the Frame Assembly using the supplied #10-32 screws and washers. The screws need to pass through the tab and into the frame containing the captive nut. Tighten the screws to pull the Fountain flush with the wall.
5. Install water supply and drain as required per Figure A rough-in dimensions.
6. Make up 40mm p-trap waste connection.
7. Thoroughly flush the supply line, connect water supply to the Fountain.

# INSTALLATION, OPERATION AND MAINTENANCE INSTRUCTIONS

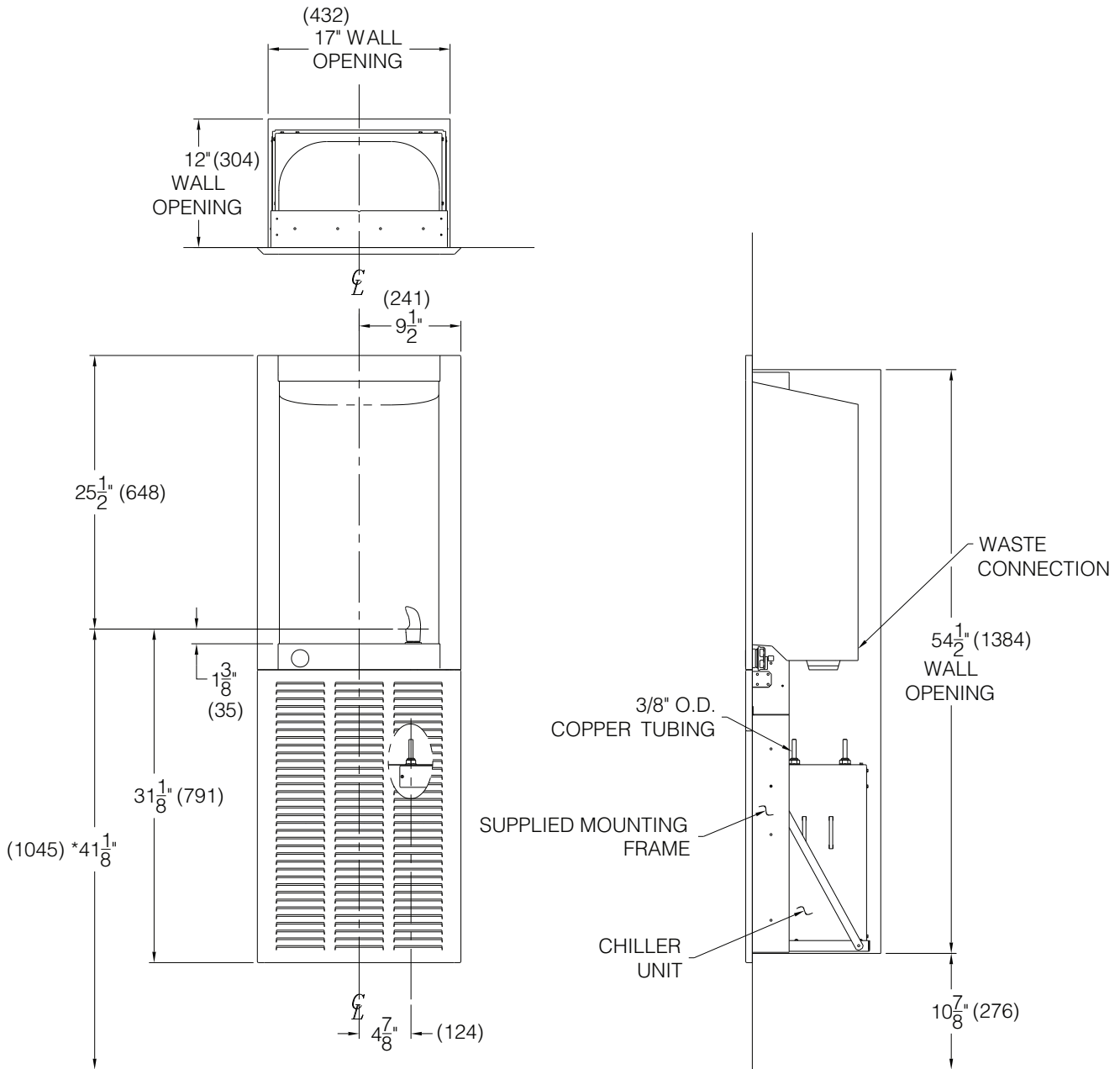
## Rough-in and Dimensional Drawing

### GENERAL NOTES

1. All dimensions are in inches [mm].
2. Dimensions shown are for recommended adult height. Adjust vertical dimensions as necessary to comply with federal, state, & local codes.
3. Water lines from chiller to foundation should be covered with sponge foam rubber or ice water type insulation of adequate thickness.

### NOTES

Dimensions shown for Adult ADA compliant installation. For Child ADA compliant parallel approach installation, decrease height of installation by 3 inches. Provide clear floor space as required. Adjust vertical dimensions as required to comply with federal, state, and local codes.



## Start Up Procedure

1. Before assembling bottom covers to the Fountain, but after thoroughly flushing the supply line and connecting it to the fixture, turn on building water supply and check all connections for leaks.
2. Air within the Fountain or the structure supply piping will cause an irregular outlet stream until purged out by incoming water.
3. Recheck all water and drain connections with water flowing through system.
4. Install Removable Access Covers to the Fountain bottom Mounting Bracket, install the supplied #8-32 screws & washers from the bottom of the Removable Access Covers.

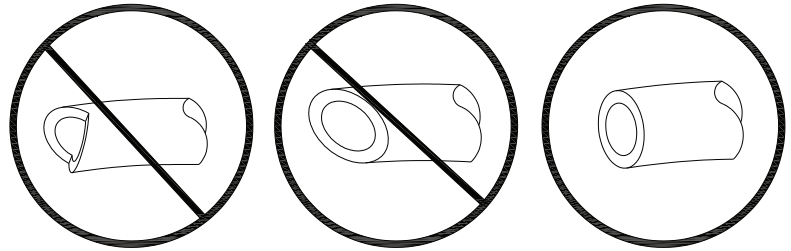
# INSTALLATION, OPERATION AND MAINTENANCE INSTRUCTIONS

## Push-in Fitting Installation

**Note:** Fittings and tube should be kept clean, bagged and undamaged prior to installation.

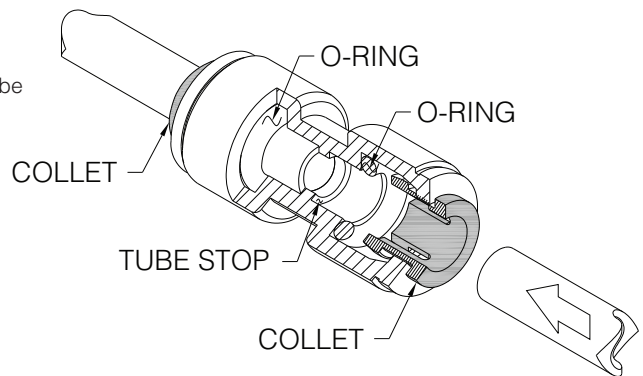
### TO CUT TUBE

Cut to fit length of 1/4" PE tubing and remove any burrs or sharp edges. Ensure that the outside diameter is free from score marks. Tube ends should be square.

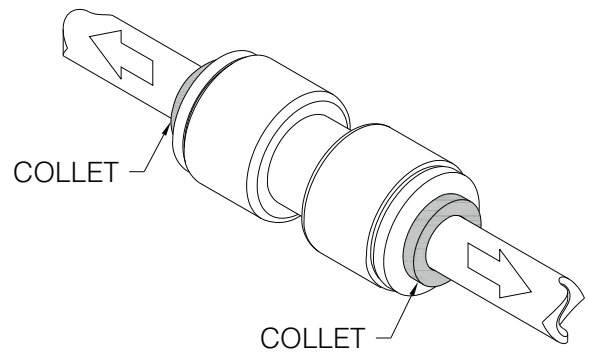


### INSERTING THE TUBE

1. Firmly and fully insert the tubing end into the push-in fitting up to the tube stop located approximately 1/2" deep.

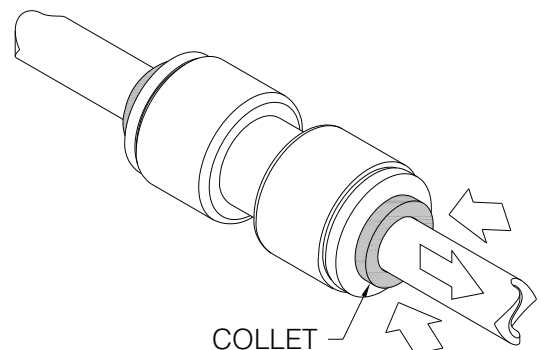


2. Pull on the fitted tubing to ensure it is secure. Tube should not come free from the fitting. Water test the connection assembly prior to leaving the site to ensure there are no leaks.



### DISCONNECTING THE TUBE

To disconnect the tube from the fitting ensure that the water line is depressurized. Push collet square towards the push-in fitting body and hold. While holding the collet in, pull on the PE tubing to remove from the push-in fitting.



# INSTALLATION, OPERATION AND MAINTENANCE INSTRUCTIONS

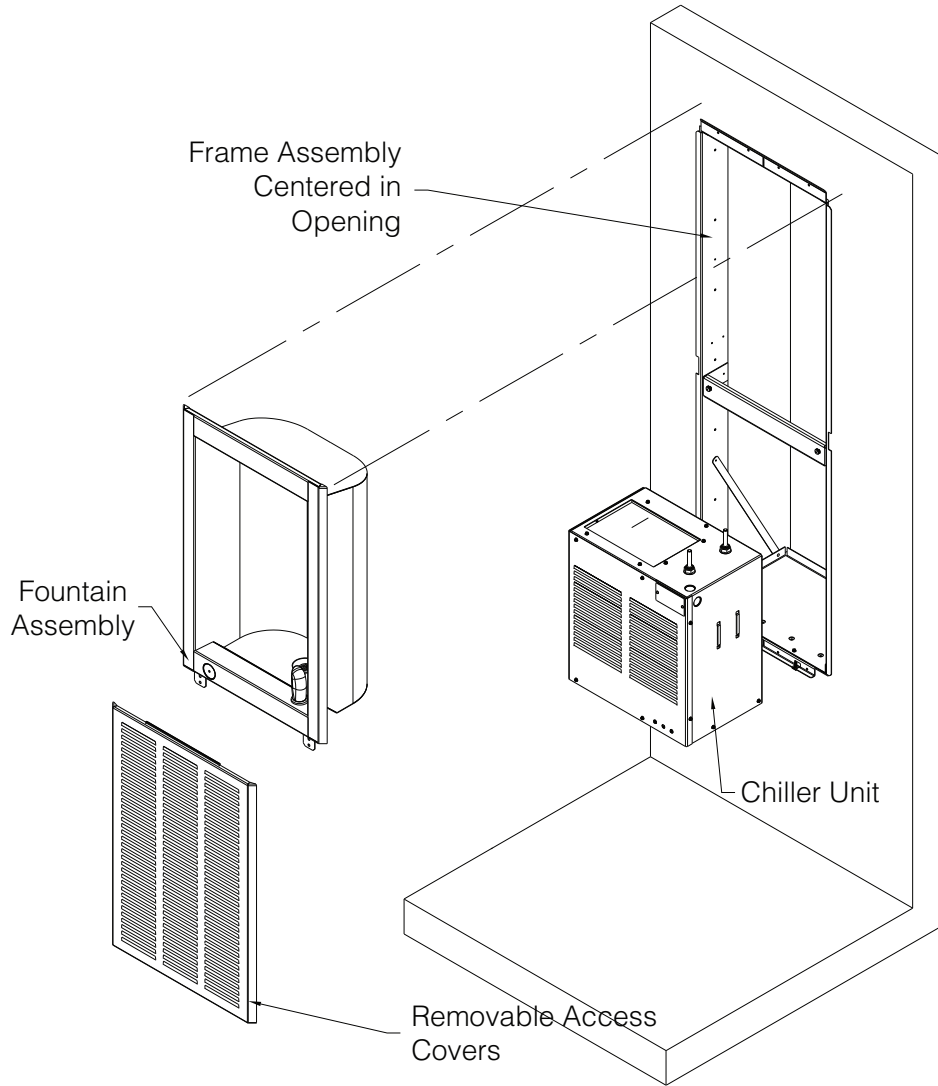


FIGURE B

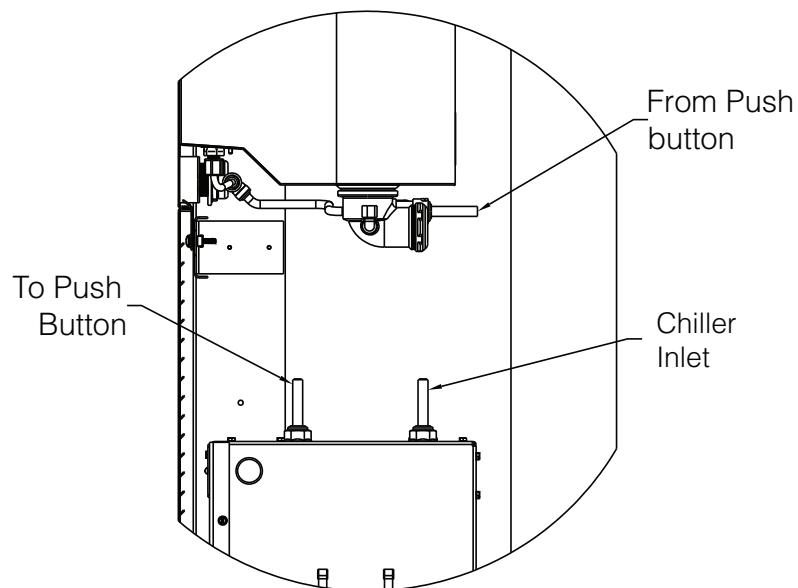
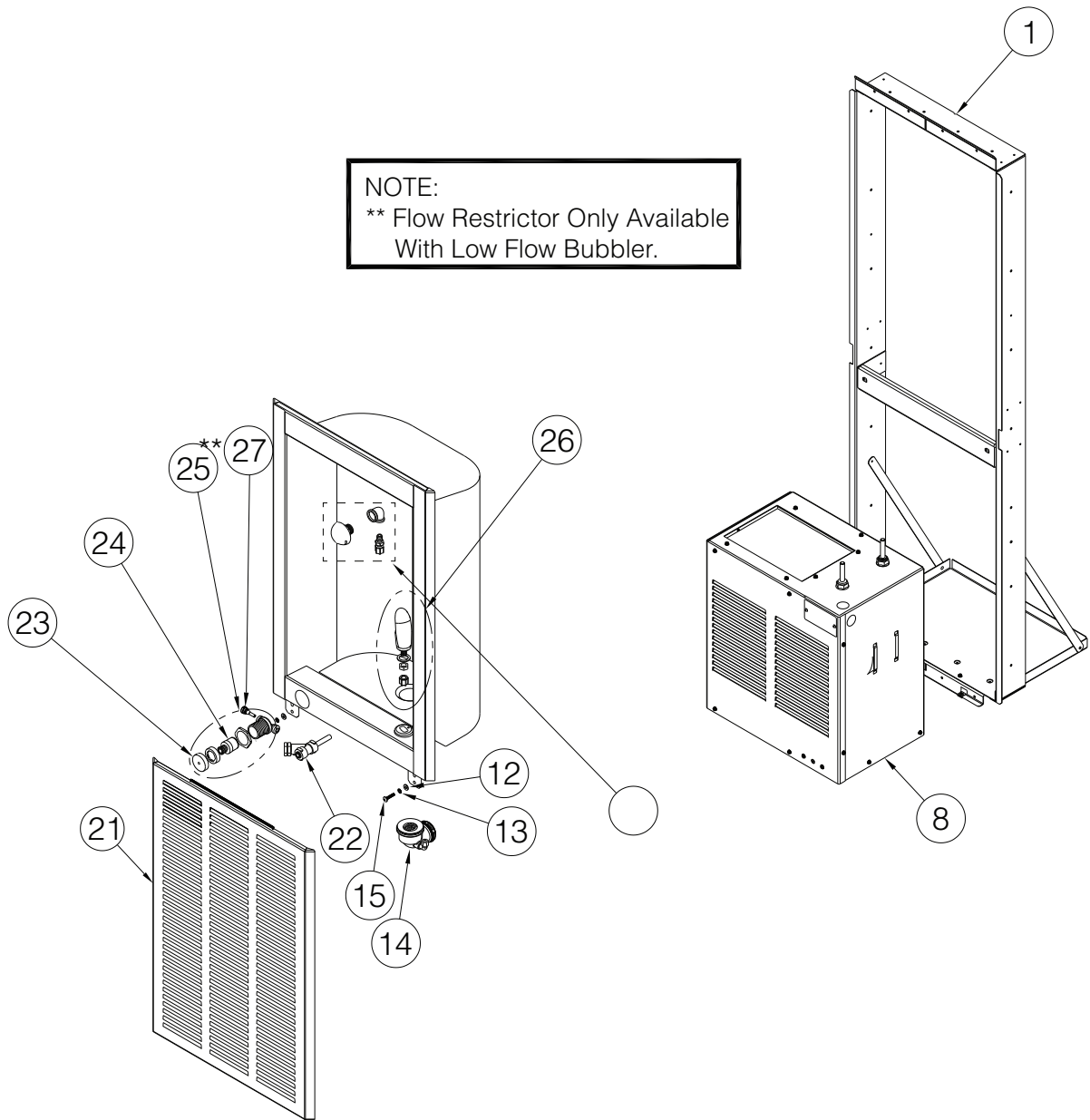


FIGURE D

# INSTALLATION, OPERATION AND MAINTENANCE INSTRUCTIONS

## Parts Breakdown



**NOTE:**  
 \*\* Flow Restrictor Only Available  
 With Low Flow Bubbler.

ITEM #	PART NUMBER	DESCRIPTION	ITEM #	PART NUMBER	DESCRIPTION
1	A0000000-MF6	Chilled fountain frame assembly	15	0116-006-000	#10-32 Phillips screws
2			16	7002-125-001	Welded pushbutton/airtroil valve assy
3			17		
4			18		
5			19		
6			20		
7			21	7035-108-199	Vented panel
8	7008-050-001	Chiller unit	22	7000-021-001	Y' strainer assembly
9			23	7000-091-001	Push button w/hex assy
10			24	7000-060-000	Flow regulator cartridge (0.5 Gpm)
11			25	7000-050-001	Valve assembly
12	0331-004-000	#10 Flat washer	26A	7000-002-001	Chrome plated brass bubbler
13	0321-011-000	#10 Star washer	26B	7000-410-002	Flex bubbler gray
14	4926-055-001	Grid strainer w/ close ell assy.	27	7003-093-001	Flow restrictor - low-flow bubbler only

# INSTALLATION, OPERATION AND MAINTENANCE INSTRUCTIONS



## Notes

---

---

---

---

---

---

---

---

---

---

---

---

---

---

---

---

---

---

---

---

---

---

---

## Contact Us

### 1300 788 778

[www.rba.com.au](http://www.rba.com.au)  
[sales@rba.com.au](mailto:sales@rba.com.au)

### SYDNEY

Level 1, 32 Frederick St  
Oatley, 2223

### MELBOURNE

Unit 9, 56 Norcal Rd  
Nunawading, 3131

### BRISBANE

Unit 13, 54 Nealdon Dr  
Meadowbrook, 4131

### 0800 722 111

[www.rbagroup.co.nz](http://www.rbagroup.co.nz)  
[sales@rbagroup.co.nz](mailto:sales@rbagroup.co.nz)

### AUCKLAND

300 Richmond Road  
Grey Lynn 1021