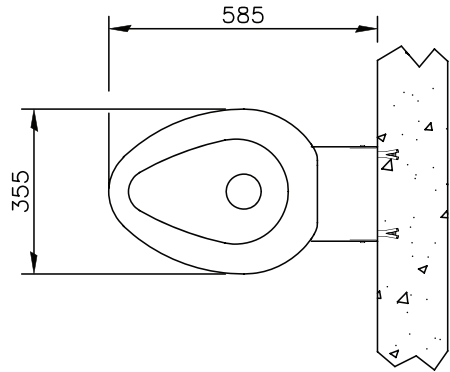
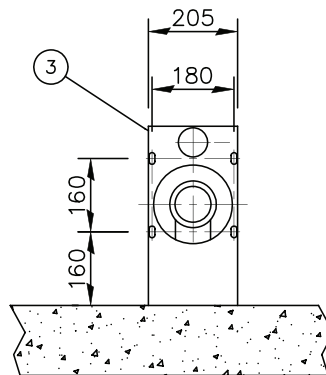
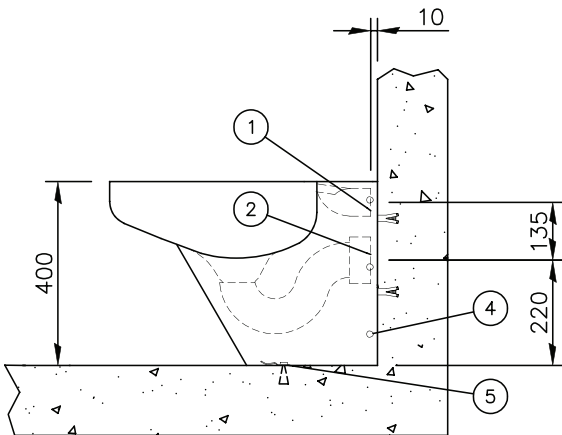


Installation



RBA8841-144

- ① 55mm ID Flush Inlet; Keyseal Provided by Others.
- ② 100mm OD Waste Outlet.
- ③ Mounting Frame with 25mm x 13mm Slotted Holes.
- ④ Vandal Resistant Fasteners for Toilet Mounting to Frame Assembly.
- ⑤ Floor Mounting 'S' Clip.



RBA8841-100 Front Fixed

RBA8841-144 Rear Fixed



ii/rba8841-100-144/0918



Model	RBA8841-100 RBA8841-144
Date	19/09/18
Doc#	ii/rba8841-100 -144/0618

Supersedes all previous

Components

- “P” Trap Stainless Steel Pan
- Security bit
- S-Clip

Pre-Installation

Installation should be in accordance with local authority and statutory requirements, and as per these installation instructions.

Pan is “wall faced” and should preferably be fixed to a masonry wall with suitable wall anchors provided by others.

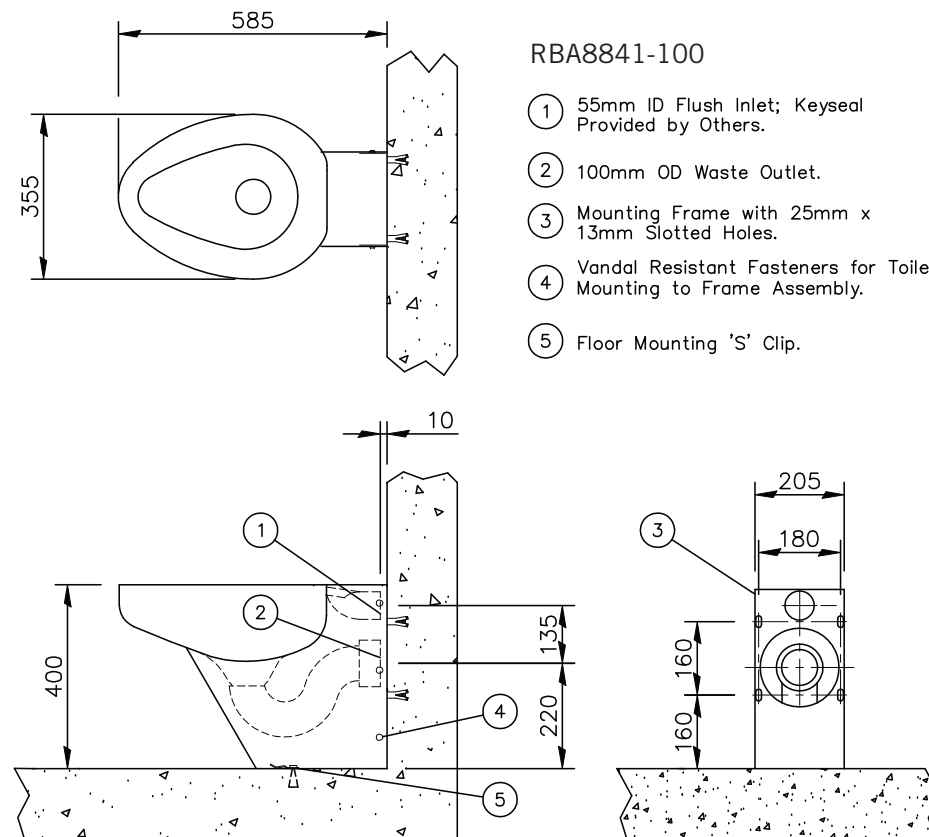
Flushing device should be

- Fowler Tasman Mk 2(or Stylus Symphony) cistern
- Caroma Invisi II (Inceiling mount recommended)

Installation

1. Installation to be in accordance with the AS/NZ3500 series of Standards plus all local and statutory requirements. For Australia, Installation shall be in accordance with the PCA [Plumbing Code of Australia] and any relevant local authority requirements.
2. If not pre-formed, make sufficient penetrations through the wall, as determined from the drawing, to allow the 100 mm waste pipe and 50 mm flush pipe to pass through.
3. Remove the mounting frame from the pan and fix it to the wall with appropriate wall anchors, and the “S” clip to the floor.
4. Fit a 100 mm pan collar to the outlet with sufficient 100 mm pipe to extend through the wall. (Alternately the waste and flush pipes may be pre-plumbed and the pan pushed onto the pipework.)
5. Similarly fit a 50 mm keeseal to the pan inlet with sufficient pipe, as provided by the cistern manufacturer, to extend through the wall.
6. Push the pan over the mounting frame, ensuring that the “S” clip on the floor is engaged, and secure to the pan to the frame with the security screws provided.
7. Make the necessary connections to the waste, and install the cistern and connect according to the manufacturers instructions.
8. Check for leaks and correct flush volumes, 6 litres full flush and 3 litres half flush.

Installation



RBA8841-100

- ① 55mm ID Flush Inlet; Keyseal Provided by Others.
- ② 100mm OD Waste Outlet.
- ③ Mounting Frame with 25mm x 13mm Slotted Holes.
- ④ Vandal Resistant Fasteners for Toilet Mounting to Frame Assembly.
- ⑤ Floor Mounting 'S' Clip.