

KOALA KARE PRODUCTS

Installation and Operation Instructions

KB208 Oval Baby Changing Station Cambiador Plegable Table à Langer Babywickeltisch



Your unit can be installed to meet ADA regulations when and where applicable. Refer to Federal Register, Volume 56, No 144 28 CFR Part 36.

You are responsible for the safe operation of this unit.

IMPORTANT. RETAIN FOR FUTURE REFERENCE. READ CAREFULLY.
IMPORTANTE. GUÁRDELO PARA FUTURAS CONSULTAS. LEER ATENTAMENTE.
IMPORTANT. À CONSERVER POUR INFORMATION. À LIRE ATTENTIVEMENT.
WICHTIG. ZUR SPÄTEREN BEZUGNAHME AUFBEWAHREN. BITTE SORGFÄLTIG DURCHLESEN.



OPERATING INSTRUCTIONS

Please Note:

To assure proper installation, it is suggested that a qualified person or carpenter install the Koala Kare Baby Changing Station. Koala Kare Products will not be responsible if the station is not installed properly.

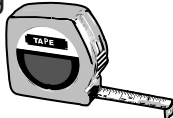



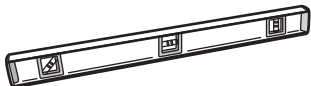





Koala Kare Baby Changing Stations have been tested to hold a substantial static load. The unit must be attached to a permanent wall that is capable of holding a substantial load. The maximum recommended total weight for this baby changing station (including baby and parcel bag) is 60 lbs. Excessive weight may cause a hazardous or unstable condition to exist.

Restraint System: To fasten the waist restraint strap, place strap around child’s midsection, and push spring tabs into buckle until both spring tabs lock in place with an audible “click”. Straps can be adjusted to make strap tighter or looser as required.


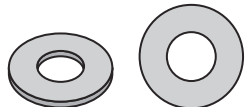
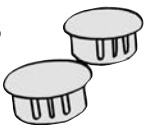
Inspection Criteria:

A properly maintained Baby Changing Station:

- Opens and closes smoothly.
- Has both ends of a functioning, non-frayed strap: buckle clicks when closed and strap is attached at both ends of unit.
- Provides a clean, convenient place for customers to attend to their children.

Measuring Tape 	TOOLS NEEDED		Stud Finder 
Gloves 	Phillips Head Screwdriver 	Level 	Pencil 
Drill 	1/8" Drill Bit (regular) 	7/32" Drill Bit (masonry) 	1/2" Drill Bit (masonry) 

HARDWARE PROVIDED

Four 1/4" x 3" Phillips Panhead Wood Screws 	Four 3/4" x 1/4" Flat Washers 	Two Screw Hole Plugs 
--	---	---

INSTALLATION INSTRUCTIONS

Oval Baby Changing Station Model Number KB208

Step 1.

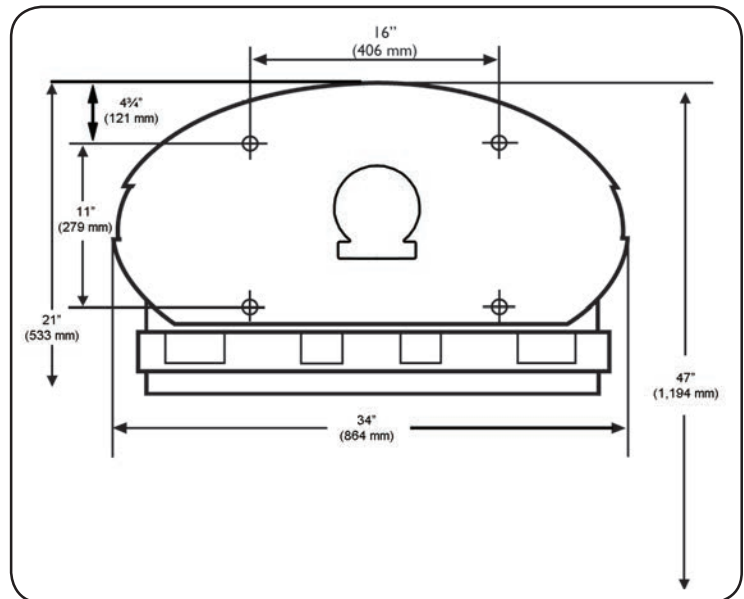
Remove the station from the shipping container and check for any freight damage. Identify the best location for installing the unit. Hold the unit in place and open the bed. Make sure you have taken the operating clearance into consideration.

Step 2.

Determine the best method of mounting based on the type of wall. You may have to purchase toggles.

Step 3.

The oval unit has four mounting holes provided in the back wall, positioned on a 16" (406 mm) stud center. If possible, locate the wood or metal studs for fastening the unit in the desired location. If the walls do not have studs on 16" center as outlined, make sure at least one side of the unit is installed into the stud. Use toggles for holes on the opposite side.



Step 4.

Find the stud where you will be attaching the left side of the unit to the wall. Measure up from the floor 42 1/4" (1,073 mm), at the center of the stud, and mark the wall. Mark remaining holes using a measuring tape to make sure the holes are precisely positioned. Hold unit in place to verify. Use a 1/8" drill bit to make pilot holes then use four 1/4" x 3" panhead wood screws with washers (supplied) to secure the unit to the studs.

If the wall surface is masonry or tile over studs, use a 7/32" masonry drill bit for the pilot hole until you hit the stud. Change bit to 1/8" regular drill bit. Use four 1/4" x 3" panhead wood screws with washers (supplied).

If the wall has wood studs that are not on 16" (406 mm) centers, has metal studs or an underlying surface of concrete block, drill with a 1/2" masonry bit. (You may have to purchase toggles before installing.) You must allow a minimum of inside wall space for toggles to turn, depending on toggles used. Insert and tighten toggles.


Step 5.


Once the unit has been secured to the wall, use the two screw hole plugs provided to cap the upper two mounting hole recesses. Position the plug over the recess and push it into place using hand pressure. Do not hammer the plug in as it will damage the plug. Once the plug is flush with the surface stop pushing and install the second one.


Step 6.

Position Koala sign (supplied) on the outside of the restroom door. Replacement parts can be purchased from your local distributor or by calling toll free 888.733.3456 or 303.539.8300.


ASTM F 2285-04(2010)


 **WARNING:** Never leave child unattended.


 **WARNING:** Avoid serious injury from falling or sliding out. Always use restraint system.

 **WARNING:** Designed for Infants Only. Age up to 3.5 years and weighing less than 50 lbs. Keep one hand on the child at all times.

Parcels or accessory items, or both, placed on the unit may cause the unit to become unstable.

 **ATTENTION :** Ne laissez jamais un enfant sans surveillance.

 **ATTENTION :** Évitez les blessures occasionnées par une chute ou une glissade. Utilisez toujours le système de retenue.


 **ATTENTION :** Conçue uniquement pour les jeunes enfants. Jusqu'à 3 ans et demi et moins de 50 lb (23 kg). Conservez une main sur l'enfant à tout moment.


Tout paquet ou accessoire placé sur la table peut créer un déséquilibre.

⚠ WARNING	
 WARNING	Never leave child unattended.
 WARNING	Avoid serious injury from falling or sliding out. Always use restraint system.
 WARNING	Designed for Infants Only. Age up to 3.5 years and weighing less than 50 lb. Keep one hand on child at all times.
Koala Kare Products, A Division of Bobrick 6982 S Quentin Street Centennial, CO 80112 Ph 888-733-3456/303-539-8300 - www.koalabear.com P/N 975	


⚠ WARNING	
 WARNING	Never leave child unattended.
 WARNING	Avoid serious injury from falling or sliding out. Always use restraint system.
 WARNING	Designed for Infants Only. Age up to 3.5 years and weighing less than 50 lb. Keep one hand on child at all times.
Koala Kare Products, A Division of Bobrick 6982 S Quentin Street Centennial, CO 80112 Ph 888-733-3456/303-539-8300 - www.koalabear.com P/N 975	


 **ADVERTENCIA:** No deje nunca al niño desatendido.

 **ADVERTENCIA:** Evite que el niño se lesione por caerse o resbalarse del cambiador Use siempre el sistema de sujeción.

 **ADVERTENCIA:** Diseñado exclusivamente para bebés. Hasta 3 años y medio de edad y con un peso inferior a 50 libras (22,5 kg aproximadamente). Mantenga siempre al niño sujeto con una mano. Colocar paquetes o accesorios, o ambas cosas, encima del cambiador puede provocar que se desestabilice.

 **WARNUNG:** Das Kind niemals unbeaufsichtigt lassen.

 **WARNUNG:** Ernsthafte Verletzungen durch Herausfallen oder Herausrutschen verhindern. Immer das Rückhaltesystem verwenden.

 **WARNUNG:** Dieses Produkt ist nur für Kleinkinder bis zu 3 1/2 Jahren und einem Gewicht von höchstens 50 lbs. (23 kg) vorgesehen. Das Kind immer mit einer Hand festhalten.

Durch Ablegen von Päckchen und Zubehör auf der Wickelstation kann diese instabil werden.

EN 12221:2008+A1:2013

WARNING: Do not leave the child unattended. All assembly fittings shall always be correctly tightened and checked regularly.

Be aware of the risk of open fire and other sources of strong heat, such as electric bar fires, gas fires, etc. in the near vicinity of the changing unit.

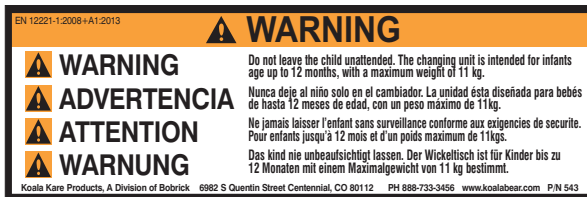
Do not leave the child unattended. The changing unit is intended for infants age up to 12 months, with a maximum weight of 11kg.

Do not use changing unit if any parts are broken or missing.

A changing pad is not required for this product.

Additional or replacement parts shall only be obtained from the manufacturer or distributor.

Unit should be cleaned once or more daily with a clean nylon brush and spray disinfectant.



ADVERTENCIA: Nunca deje al niño solo en el cambiador.

Todos los accesorios del montaje deben ajustarse perfectamente y revisarse periódicamente.

No olvide el riesgo de incendio que la presencia de fuego u otras fuentes de calor, como estufas eléctricas, de gas, etc. en las proximidades del cambiador puede suponer. Límpielo y desinfectelo una vez al día o más, según la frecuencia de uso.

Nunca deje al niño solo en el cambiofor. La unidad está diseñada para bebés de hasta 12 meses de edad, con un peso máximo de 11kg. Las piezas de repuesto o adicionales solamente deberán adquirirse al fabricante o distribuidor.

No utilice el cambiador si faltan piezas o alguna pieza está rota.

ATTENTION : Ne laissez pas l'enfant sans surveillance.

Tous les éléments d'assemblage doivent être correctement fixés et vérifiés régulièrement.

Faites attention aux risques présentés par un feu ouvert ou des sources de chaleur telles que des radiateurs électriques ou des cheminées à gaz à proximité de la table à langer.

Nettoyez et désinfectez la table une fois par jour ou plus en fonction de la fréquence d'utilisation.

Ne jamais laisser l'enfant sans surveillance conforme aux exigences de sécurité. Pour enfants jusqu'à 12 mois et d'un poids Les pièces de rechange ou supplémentaires doivent provenir du fabricant ou du distributeur uniquement.

N'utilisez pas la table à langer si l'une des pièces est endommagée ou manquante.



WARNUNG: Das Kind nie unbeaufsichtigt lassen.

Alle Montageteile müssen stets richtig angezogen und regelmäßig überprüft werden. Achtung: Bei offenem Feuer und anderen starken Hitzequellen, wie z. B. Heizsonnen, Gasofen usw., in der Nähe der Wickelstation besteht Brandgefahr.

Je nach Häufigkeit der Verwendung mindestens einmal täglich reinigen und desinfizieren.

Das kind nie unbeaufsichtigt lassen. Der Wickeltisch ist für Kinder bis zu 12 Monaten mit einem Maximalgewicht von 11 kg bestimmt.

Zusätzliche Teile oder Ersatzteile sollten nur vom Hersteller oder einem Fachhändler bezogen werden.

Die Wickelstation nicht verwenden, wenn Teile beschädigt sind oder fehlen.

