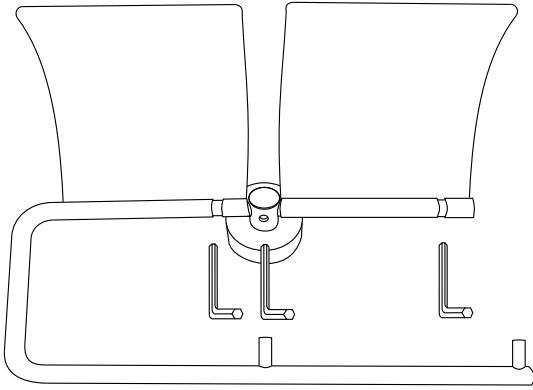
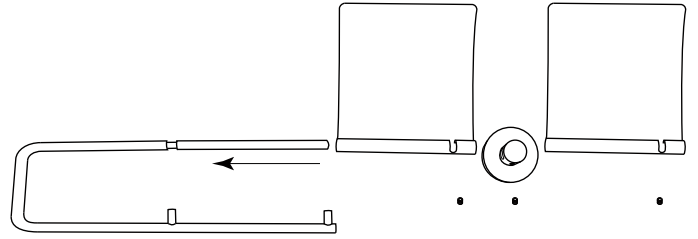


INSTRUCTIONS FOR INSTALLATION

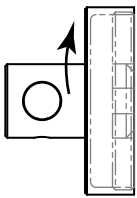
Bobrick Cubicle Collection B-546 Toilet Tissue Dispenser



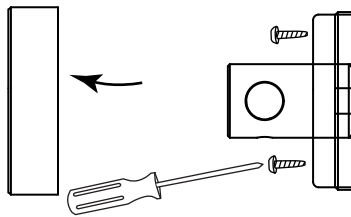
1. Loosen set screws (3)



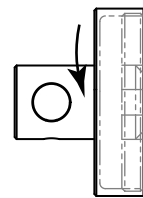
2. Remove bar



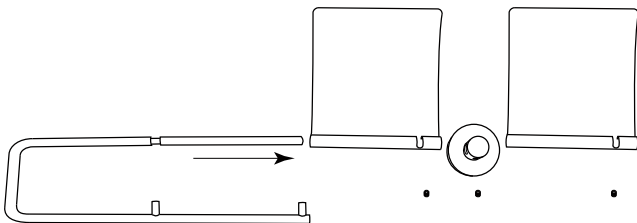
3. Unscrew escutcheon



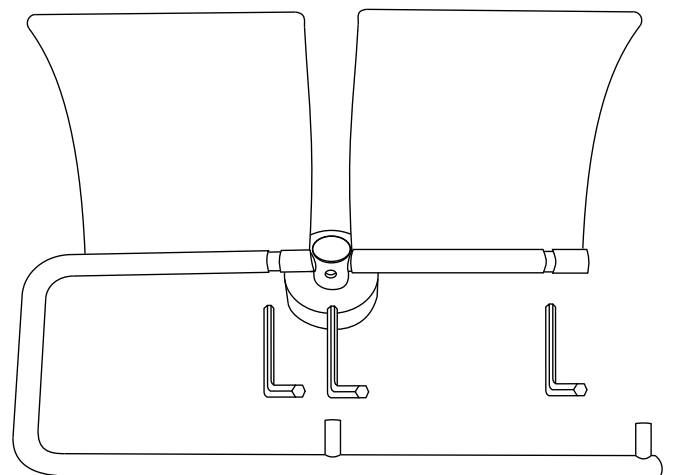
4. Insert mounting screws



5. Replace escutcheon



6. Replace bar, align set-notch



7. Replace set screws (3)

