

## Model RBA8864-100

### Materials & Features

Manufactured from stainless steel with all exposed surfaces in satin finish.

### Technical Detail

Basin and Housing:	1.3mm, type 304 Stainless Steel
Tap Hole:	35mm
Trap:	By others
Outlet Connection:	40mm BSP waste, supplied
Fixings:	By others



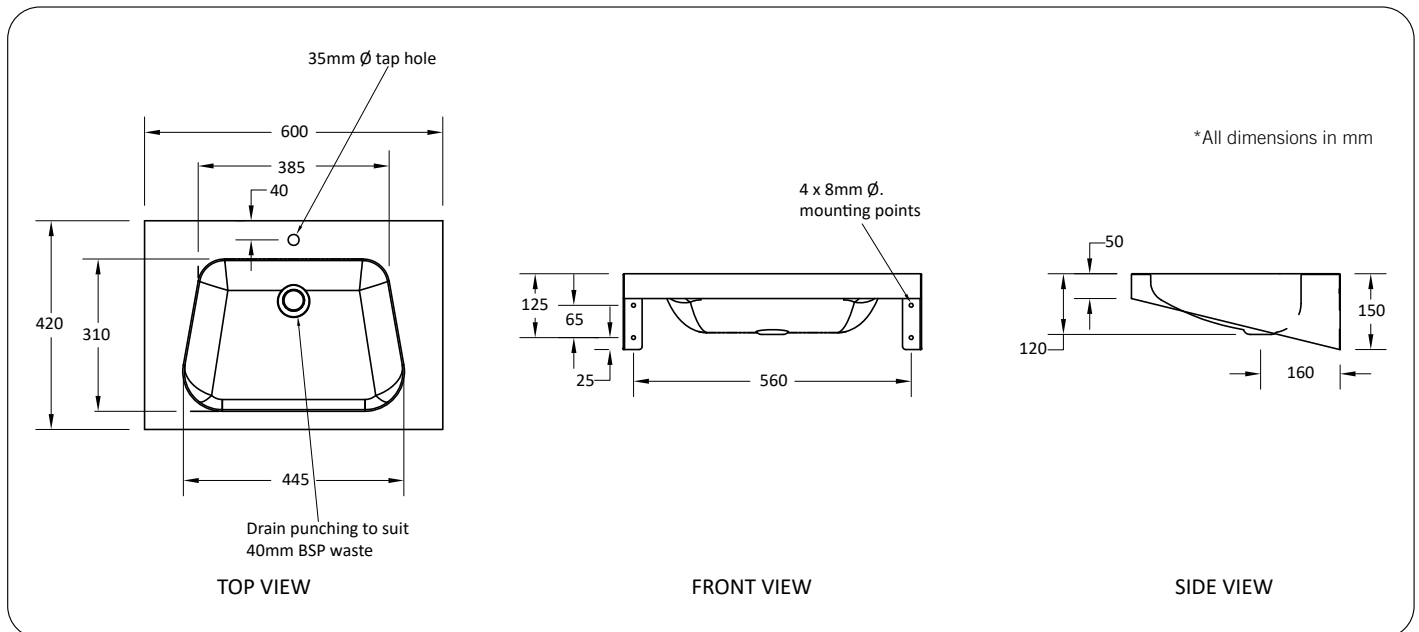
### Available Models

**RBA8864-100** Wall Mounted Basin

### Related Products

- RBA1083-607** Stainless Steel Self Closing Tap, 6 Star
- RBA8847-428** Accessible Compliant Stainless Steel Toilet Suite with Seat
- RBA8900-429** Accessible Compliant Wall Mounted Drinking Fountain

**For best results,** unit should be inspected and cleaned regularly as per the instructions in the RBA Product Warranty, Cleaning Care Guide, available on our websites.  
**Important:** Installation instructions and current rough-in details should be furnished with each fixture. Do not rough in without certified dimensions. Dimensions are subject to manufacturer's tolerance of +/-10mm.



As improvements in the design and performance of RBA products are continuous, specifications may be subject to change without notice. The illustrations and descriptions herein are applicable to production as of the date of this Technical Data Sheet. Revised 07/22 © 2022 by RBA Group TD/Model RBA8864-100/0722