

## Model RBA8841-156



### Materials & Features

External surface is satin finish. Internal bowl is matte finish for hygiene, easy cleaning and scale resistance. The integrated seat is bright polished for hygiene and comfort. Pre-drilled to suit security toilet seat. Laser-cut, flush-fitting access panels on both sides are fixed with security screws. Suitable for P-Trap installations where waste connection is through the wall. Also available in coloured EnviroGlaze® [e.g. white] finish on external surfaces upon request.

### Technical Detail

Outlet Connection:	P-Trap 100mm OD
Pan Collar:	Standard [by others]
Bowl and Trap:	1.9mm, type 304 Stainless Steel
Housing:	1.5mm, type 304 Stainless Steel
Fixings:	By others
Flush Pipe Configuration:	40mm PVC Flush Pipe + Geberit Kee Seal 119.668.00.1 [by others]

### Available Models

- RBA8841-156**      Ambulant 304 Stainless Steel Toilet - P-Trap
- RBA8841-156-316**      Ambulant 316 Stainless Steel Toilet - P-Trap

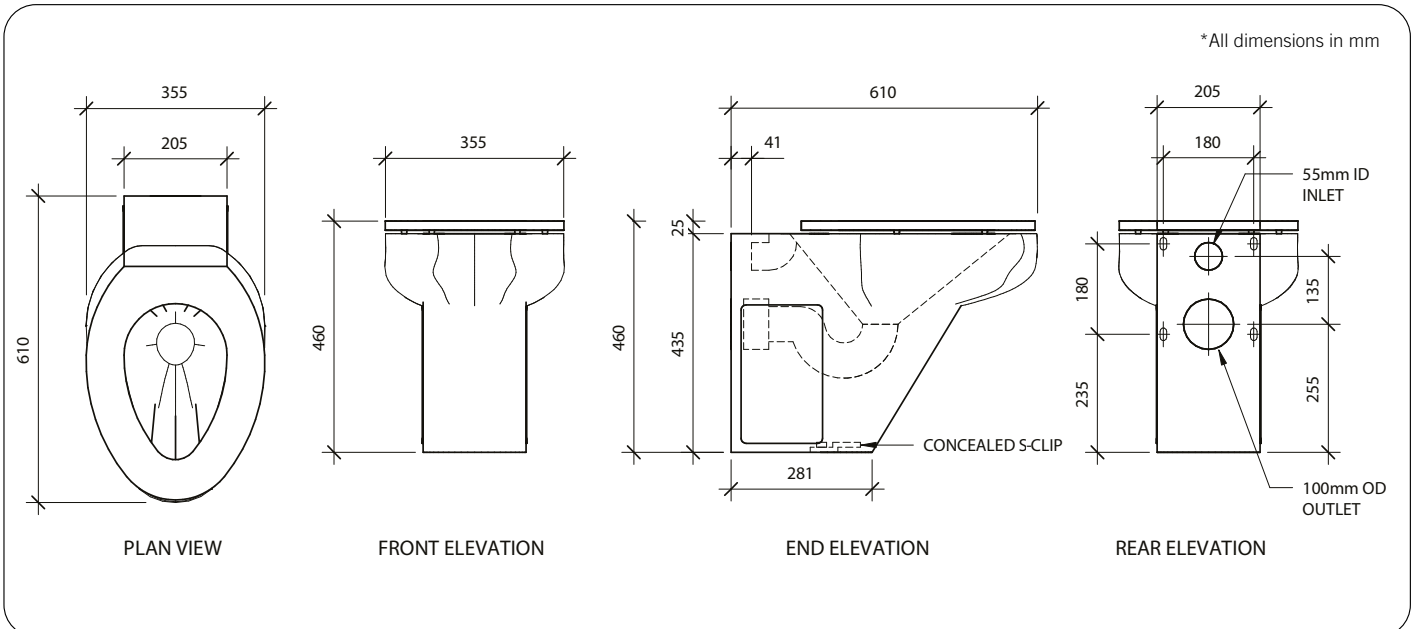
### Related Products

- RBA8186-100**      White Toilet Seat with Lid [25mm H]
- RBA4090-450**      90° Ambulant Grab Rail
- RBA8851-156**      Ambulant 304 Stainless Steel Toilet - P-Trap

### Installation

Total height of RBA8841-156 [435mm] + RBA8186-100 [25mm] equals 460mm to comply with AS1428.1 Fig.38.

**Important:** Installation instructions and current rough-in details should be furnished with each fixture. Do not rough in without certified dimensions. Dimensions are subject to manufacturer's tolerance of +/-10mm.



As improvements in the design and performance of RBA products are continuous, specifications may be subject to change without notice. The illustrations and descriptions herein are applicable to production as of the date of this Technical Data Sheet. Revised 04/24 © 2024 by RBA Group TD/Model RBA8841-156/0424