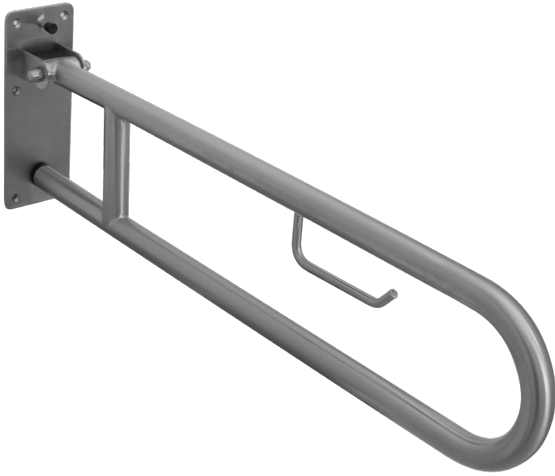


Model RBA4007-123



Materials & Features

Stainless Steel Drop Down Grab Rail can be folded up against the wall. Simple one-hand operation to allow easy access to the WC. Includes rubber bumper to stop rail from hitting the wall when upright.

Technical Detail

Rail: 32mm [Dia], 304 Satin Stainless Steel
 Bracket: 4.5mm, 304 Satin Stainless Steel
 Fixings: Included

Available Models

RBA4007-123 Drop Down Grab Rail with Toilet Roll Holder (Pictured)

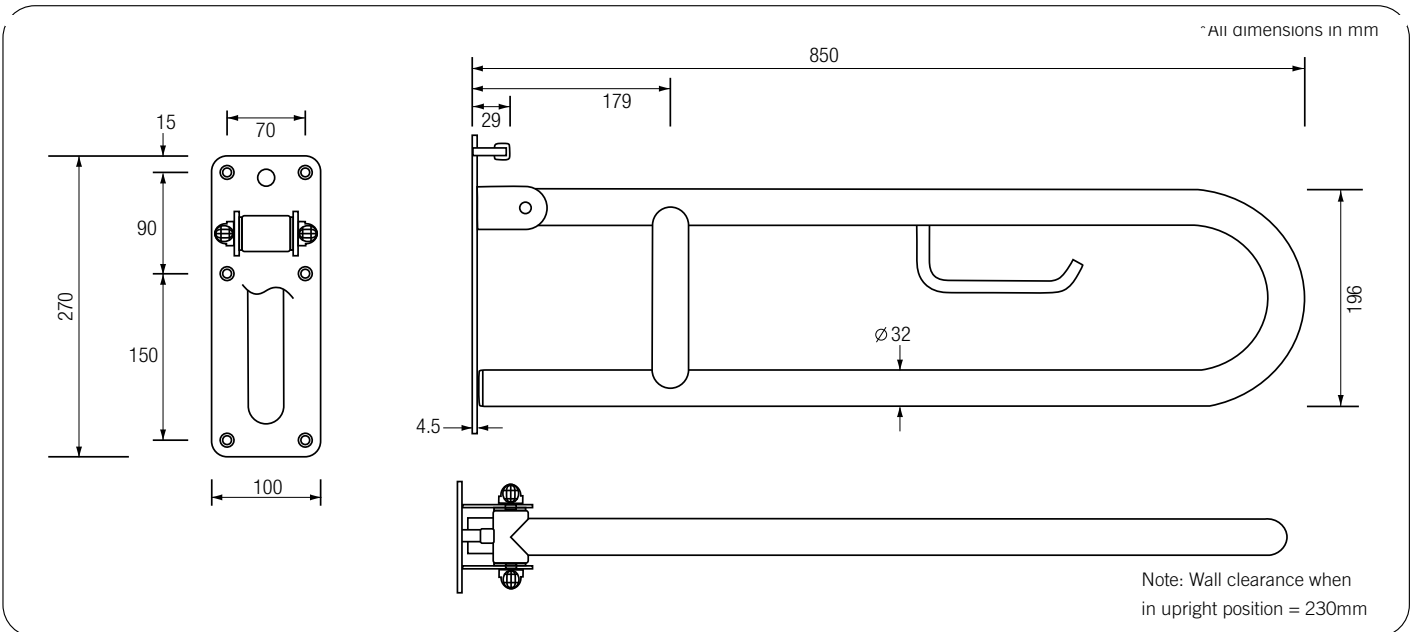
Available Models

RBA4007-122 Drop Down Grab Rail

Installation

Warning: Grab Rails are no stronger than the anchors or walls to which they are attached and, therefore, must be firmly secured in order to support the loads for which they are intended.

Important: Installation instructions and current rough-in details should be furnished with each fixture. Do not rough in without certified dimensions. Dimensions are subject to manufacturer's tolerance of +/-10mm.



Global-Mark.com.au
 Sourced/ Supplied under QMS

As improvements in the design and performance of RBA products are continuous, specifications may be subject to change without notice. The illustrations and descriptions herein are applicable to production as of the date of this Technical Data Sheet. Revised 06/22 © 2022 by RBA Group TD/Model RBA4007-12/0622