

Model RBA4007-112



Materials & Features

Suitable for Bariatric assistance. Rail can be folded up against the wall in a simple one-hand operation, to allow easy access to the WC. Auto-Hold device retains the rail in place when returned to the upright position. Includes lockable support leg with height adjustable slip resistant footing.

Technical Detail

Bar: Type-304 Stainless Steel Electro-Plated finish, 38mm Dia.
 Mounting plate: 5mm Stainless Steel
 SWL: 300kgs downwards
 160kgs lateral
 Fixings: By others

Installation

Warning: Grab Rails are no stronger than the anchors or walls to which they are attached and, therefore, must be firmly secured in order to support the loads for which they are intended.

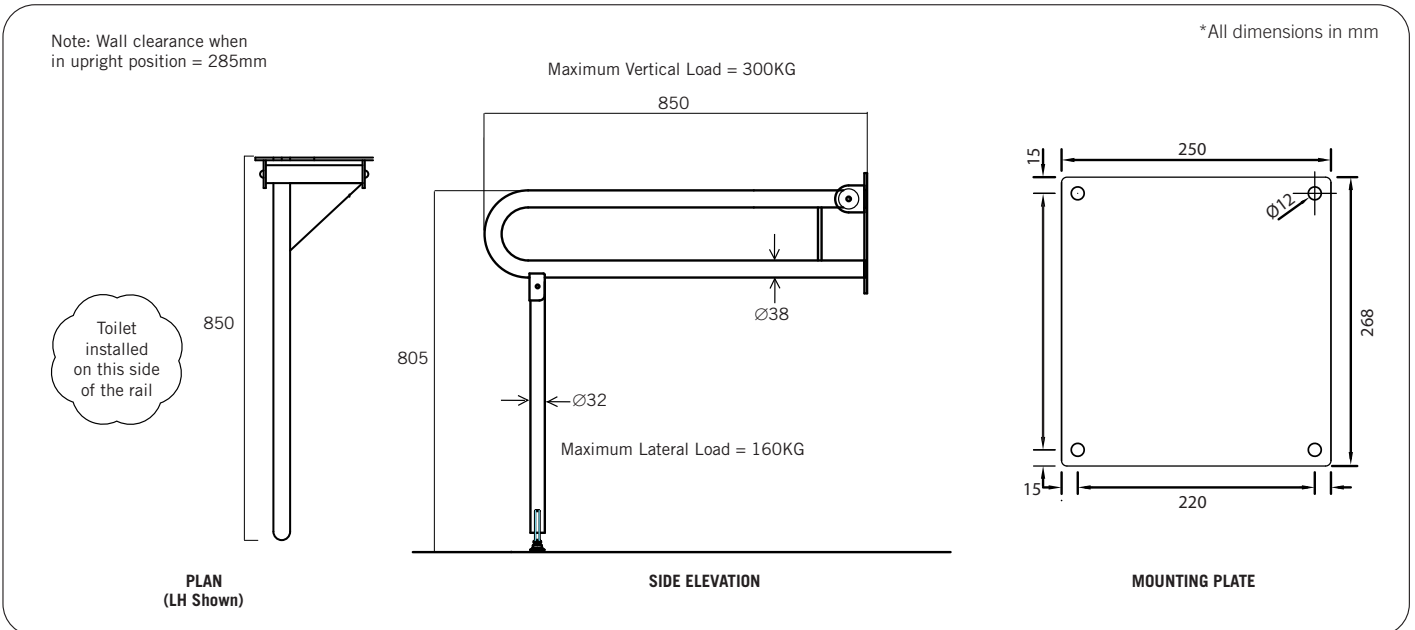
Available Models

RBA4007-112 Drop Down Rail for Bariatric, Left Hand

Related Products

- RBA4007-113** Drop Down Rail for Bariatric, including Toilet Roll Holder, Left Hand
- RBA4007-114** Drop Down Rail for Bariatric, Right Hand
- RBA4007-115** Drop Down Rail for Bariatric, including Toilet Roll Holder, Right Hand
- RBA4007-116** Drop Down Rail for Bariatric, including Nurse Call Button (Coms by Others), Left Hand
- RBA4007-117** Drop Down Rail for Bariatric, including Nurse Call Button (Coms by Others), Right Hand

Important: Installation instructions and current rough-in details should be furnished with each fixture. Do not rough in without certified dimensions. Dimensions are subject to manufacturer's tolerance of +/-10mm.



As improvements in the design and performance of RBA products are continuous, specifications may be subject to change without notice. The illustrations and descriptions herein are applicable to production as of the date of this Technical Data Sheet. Revised 04/21 © 2021 by RBA Group TD/Model RBA4007-112/0421