

Model RBA2760-002 & RBA2760-001



Materials & Features

Basin manufactured from stainless steel with all exposed surfaces in satin finish. Anti-microbial flexible bubbler with self-closing push button and non-squirt features. Stainless steel bubbler options available on request. Valve includes flow adjuster and strainer. Integral perforated drain for hygiene & ease of cleaning. Smooth radiused design eliminates sharp corners. Fully concealed pipework and fixings.

Technical Detail

Inlet Connection:	G½B
Outlet Connection:	40mm BSP waste
Water Pressure:	200 – 500 kPa
Basin & Housing:	1.2mm, type 304 Stainless Steel
Force to activate:	≤ 22N

RBA2760-002 is shown

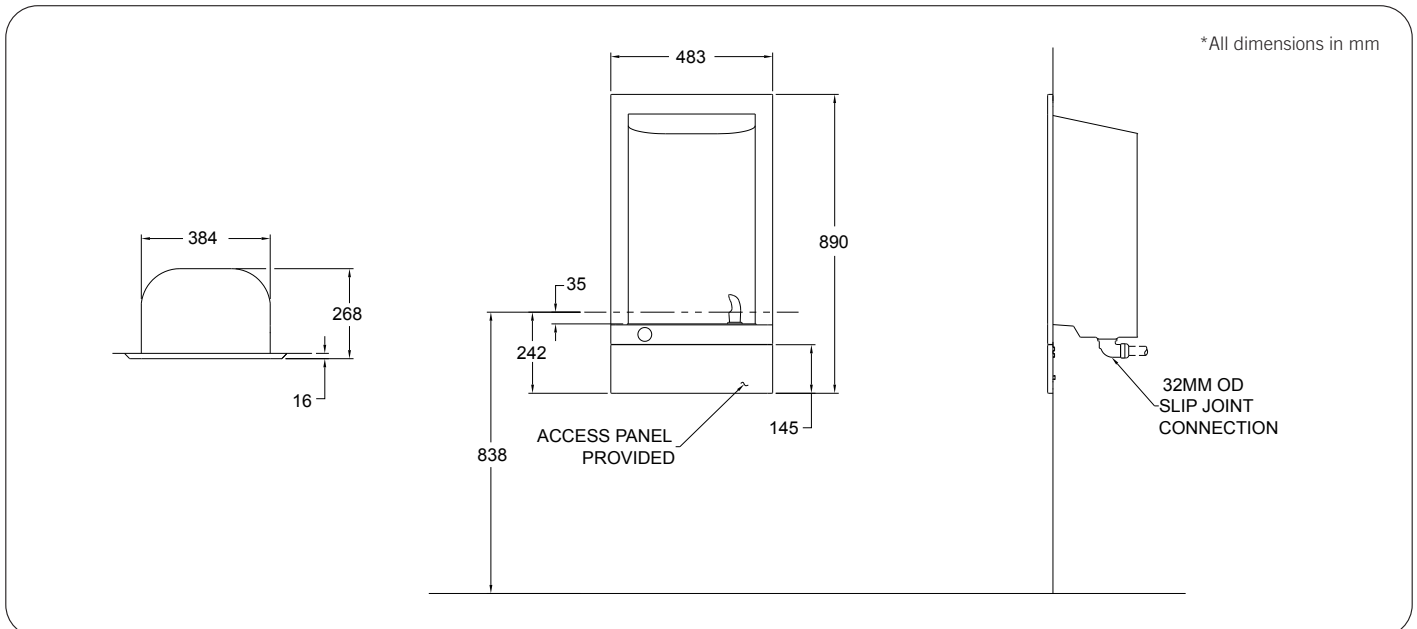
Available Models

- RBA2760-002** Recessed Drinking Fountain
- RBA2760-001** Recessed Drinking Fountain with glass filler

Related Products

- RBA2760-032** Recessed Water Cooler
- RBA2730-032** 'Compact' Water Cooler, granite powder coated, 30L/hr
- RBA8900-429** Accessible Compliant Drinking Fountain

Important: Installation instructions and current rough-in details should be furnished with each fixture. Do not rough in without certified dimensions. Dimensions are subject to manufacturer's tolerance of +/-10mm.



As improvements in the design and performance of RBA products are continuous, specifications may be subject to change without notice. The illustrations and descriptions herein are applicable to production as of the date of this Technical Data Sheet. Revised 04/21 © 2021 by RBA Group TD/Model RBA2760-001/0421