

Models RBA2727-232 RBA2727-233



* RBA2727-233 Shown.

Materials & Features

Basin manufactured from stainless steel with all exposed surfaces in satin finish. Anti-microbial flexible bubbler with self-closing push button and non-squirt features. Stainless steel bubbler options available on request. Valve includes flow adjuster and strainer. Integral perforated drain for hygiene & ease of cleaning. Smooth radiused design eliminates sharp corners. Semi concealed pipework and fixings.

Technical Detail

Inlet Connection:	1/2" BSP
Outlet Connection:	40mm BSP waste
Water Pressure:	200 – 500 kPa
Basin & Housing:	1.6mm, type 304 Stainless Steel
Force to activate:	≤ 22N (0 N sensor activated model)
Refrigerant:	R-134a
Power:	220VAC, 50Hz, single phase
Capacity:	30L/hr drinking water at 10°C (incoming 27°C, ambient 32°C)

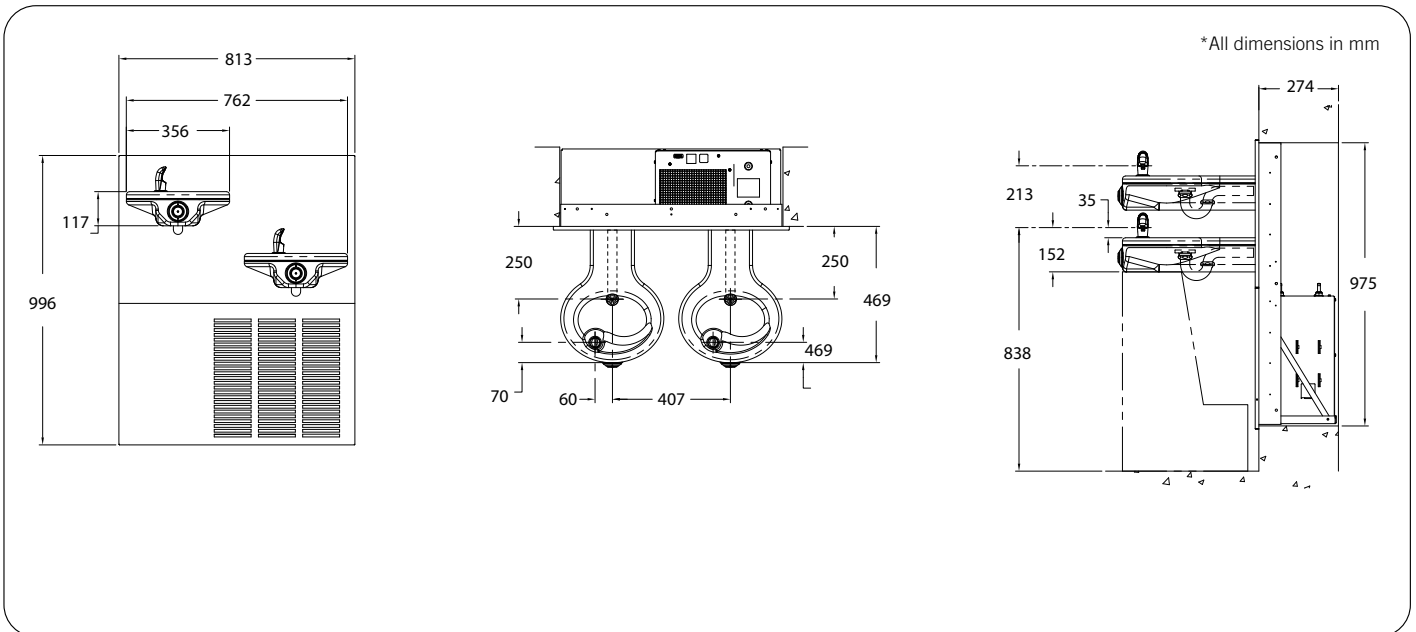
Available Models

- RBA2727-232** 'Enterprise' Dual Water Cooler | 30L/hr | Flexi Bubbler
- RBA2727-233** 'Enterprise' Dual Water Cooler | 30L/hr | Stainless Bubbler
- RBA2725-232** 'Enterprise' Dual Water Cooler | Sensor Activated

Related Products

- RBA2727-032** 'Enterprise' Water Cooler | 30L/hr
- RBA8900-429** Accessible Wall Mounted Drinking Fountain
- RBA2730-032** 'Compact' Wall Mounted Drinking Fountain

Important: Installation instructions and current rough-in details should be furnished with each fixture. Do not rough in without certified dimensions. Dimensions are subject to manufacturer's tolerance of +/-10mm.



As improvements in the design and performance of RBA products are continuous, specifications may be subject to change without notice. The illustrations and descriptions herein are applicable to production as of the date of this Technical Data Sheet. Revised 04/24 © 2021 by RBA Group TD/Model RBA2727-232-RBA2731-233/0424