

Models RBA2727-032 RBA2727-033



* RBA2727-033 Shown.

Materials & Features

Basin manufactured from stainless steel with all exposed surfaces in satin finish. Anti-microbial flexi-bubbler and stainless steel bubbler options available with self-closing push button with non-squirt features. Valve includes flow adjuster and strainer. Integral perforated drain for hygiene & ease of cleaning. Smooth radiused design eliminates sharp corners. Semi concealed pipework and fixings.

Technical Detail

Inlet Connection:	1/2" BSP
Outlet Connection:	40mm BSP waste
Water Pressure:	200 – 500 kPa
Basin & Housing:	1.2mm, type 304 Stainless Steel
Force to activate:	≤ 22N (0 N sensor activated model)
Refrigerant:	R-134a
Power:	220VAC, 50Hz, single phase
Capacity:	30L/hr drinking water at 10°C (incoming 27°C, ambient 32°C)

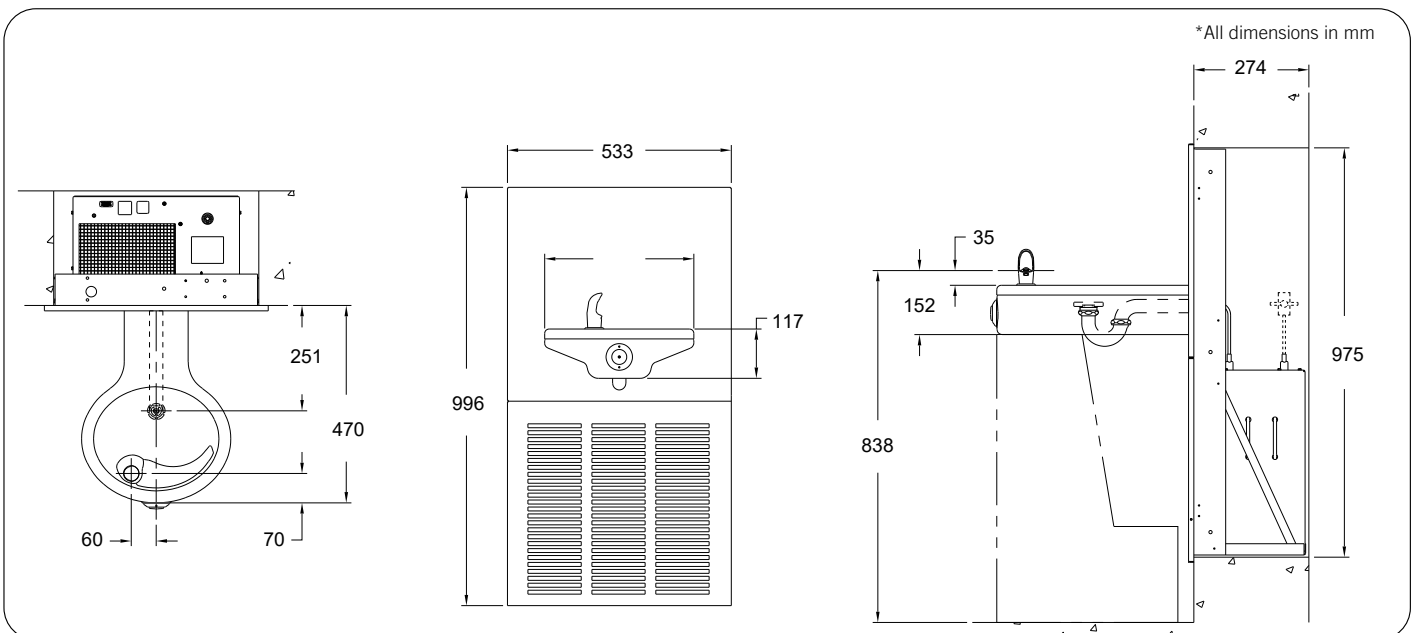
Available Models

- RBA2727-032** 'Enterprise' Water Cooler | 30L/hr | Flexi Bubbler
- RBA2727-033** 'Enterprise' Water Cooler | 30L/hr | Stainless Bubbler
- RBA2725-032** 'Enterprise' Water Cooler | Sensor Operated | Flexi Bubbler

Related Products

- RBA2727-232** 'Enterprise' Dual Water Cooler | 30L/hr
- RBA8900-429** Accessible Wall Mounted Drinking Fountain
- RBA2730-032** 'Compact' Wall Mounted Drinking Fountain

Important: Installation instructions and current rough-in details should be furnished with each fixture. Do not rough in without certified dimensions. Dimensions are subject to manufacturer's tolerance of +/-10mm.



*All dimensions in mm



As improvements in the design and performance of RBA products are continuous, specifications may be subject to change without notice. The illustrations and descriptions herein are applicable to production as of the date of this Technical Data Sheet. Revised 04/24 © 2024 by RBA Group TD/Model RBA2727-032/0424