

Model RBA1622-102



Materials & Features

Manufactured from heavy duty brass with all exposed surfaces in bright chrome. ënda is a suite of attractive commercial grade accessories with radiused corners and edges to increase comfort and minimise catch.

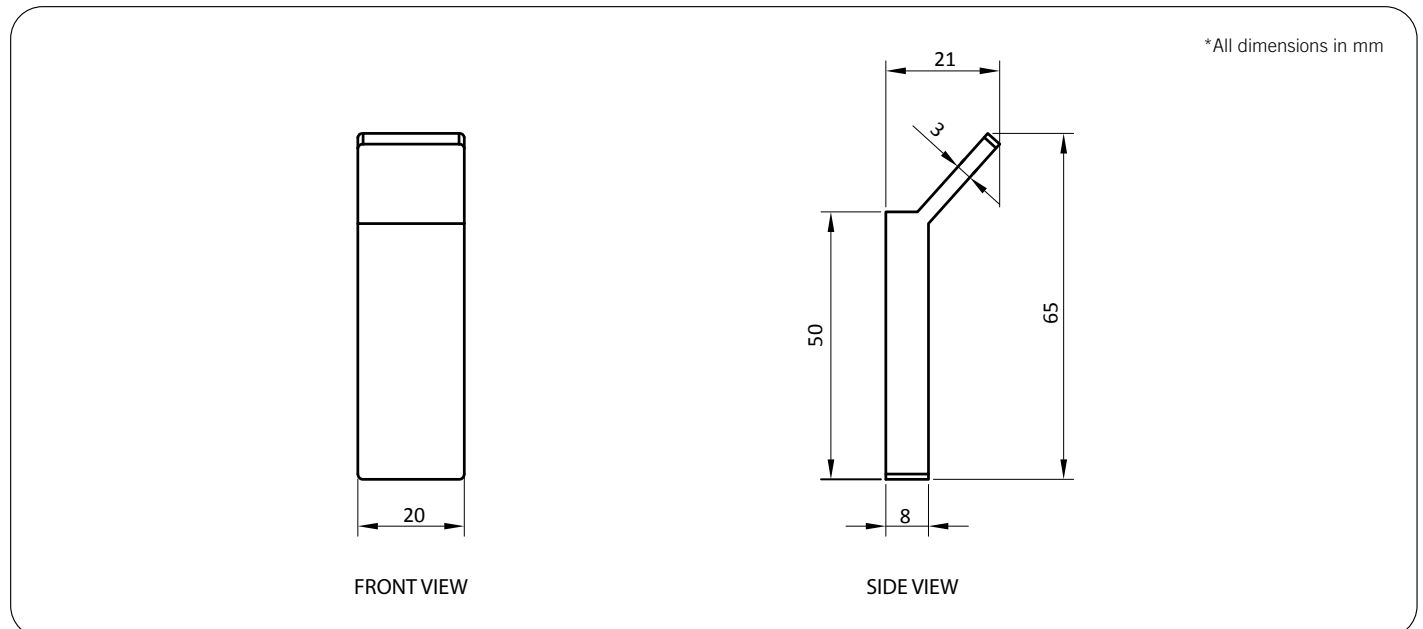
Technical Detail

Material: Heavy Duty Brass
 Finish: Bright Chrome
 Bracket: Heavy Duty Brass Lug
 Fixings: Included

Available Model
RBA1622-102

ënda Robe Hook #1

Important: Installation instructions and current rough-in details should be furnished with each fixture. Do not rough in without certified dimensions. Dimensions are subject to manufacturer's tolerance of +/-10mm.





ënda Robe Hook #1

20mm[W] x 65mm[H] x
21mm[D]

RBA1622-102



ënda Robe Hook #3

20mm[W] x 45mm[H] x
35mm[D]

RBA1622-104



ënda Toilet Roll Holder #1

140mm[W] x 30mm[H] x
85mm[D]

RBA1622-107



ënda Toilet Roll Holder #2

130mm[W] x 81mm[H] x
74mm[D]

RBA1622-105



ënda Soap Dish

110mm[W] x 38mm[H] x
110mm[D]

RBA1622-101



ënda Acrylic Shelf to AS1428.1

395mm [W] x 29mm[H] x
147mm[D]

RBA1622-106



ënda Single Towel Rail

600mm[W] x 30mm[H] x
70mm[D]

RBA1622-108



ënda Double Towel Rail

600mm[W] x 30mm[H] x
105mm[D]

RBA1622-109