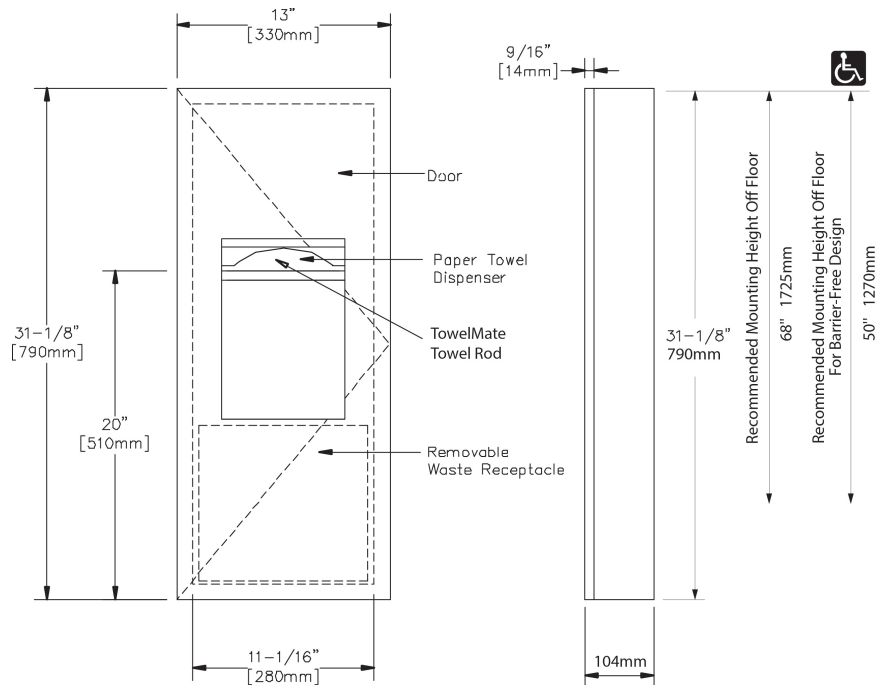
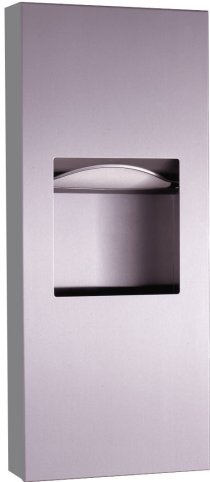




TrimLineSeries™ SURFACE MOUNTED PAPER TOWEL DISPENSER AND WASTE RECEPTACLE

B-369039



MATERIALS:

Cabinet — 18-8, Type-304, heavy-gauge stainless steel. All-welded construction.

Skirt — 18-8S, type-304, heavy-gauge stainless steel with satin finish.

Door — 18-8, Type-304, 18-gauge (1.2mm) stainless steel. 9/16" (14mm) 90° return edges for maximum rigidity. Secured to cabinet with a concealed, full-length stainless steel piano-hinge. Equipped with a stainless steel cable door-swing limiter and friction catch.

Paper Towel Dispenser — 18-8, Type-304, 22-gauge (0.8mm) stainless steel. Capacity: 300 C-fold or 400 multifold paper towels. Unit equipped with TowelMate consisting of a 90° return towel guide angle inside cabinet to prevent paper towels from falling forward out when door is opened for servicing

TowelMate® Towel Rod Assembly — Consisting of a round Nylon Rod and (2) stainless steel Rod Screws for attachment, is field replaceable. Stainless steel Stop Screws (2) lock TowelMate Rod assembly in place. To retrofit TowelMate into existing installed units manufactured prior to Feb. 2021, order TowelMate Accessory Bobrick Model No. 369-130.

Waste Container — Removable, leakproof, rigid molded plastic. Capacity: 1.6-gal. (6.1-L).

OPERATION:

Paper towel dispenser accommodates C-fold and multifold paper towels without adjustment or use of adapters. Waste receptacle is serviced by opening door and removing waste container. Door conceals flange from view. Cable door-swing limiter prevents damage to washroom accessories and walls.

INSTALLATION:

Provide framed rough wall opening 330 x 790mm. Allow clearance for construction features that may protrude into rough wall opening from opposite wall. Coordinate with mechanical engineer to avoid pipes, vents, and conduits. If unit projects above top of wainscot, provide aluminum channel or other filler to eliminate gap between flange and finish face of wall. Mount cabinet and secure unit with #8 x 1-1/4" sheet-metal screws (not furnished).

SPECIFICATION:

Surface mounted paper towel dispenser and waste receptacle shall be Type-304 stainless steel with all-welded construction. Exposed surfaces shall have satin finish. Unit equipped with TowelMate consisting of a 90° return towel guide angle inside cabinet to prevent paper towels from falling forward out when door is opened for servicing and a Nylon Rod across the center of the towel tray to dispense paper towels one at a time. Door shall be 18 gauge (1.2mm); have 9/16" (14mm) 90° return edges; be secured to cabinet with a concealed, full-length stainless steel piano-hinge; and equipped with a stainless steel cable door-swing limiter and friction catch. Door conceals flange from view. Paper towel dispenser shall be capable of dispensing 300 C-fold or 400 multifold paper towels without adjustment or use of adapters. Waste receptacle shall be furnished with a removable, leakproof, rigid molded plastic waste-container with a capacity of 1.6-gal. (6.1-L).

Recessed Paper Towel Dispenser And Waste Receptacle shall be Model B-36903 of Bobrick Washroom Equipment, Inc., Clifton Park, New York; Jackson, Tennessee; Los Angeles, California; Bobrick Washroom Equipment Company, Scarborough, Ontario; Bobrick Washroom Equipment Pty. Ltd., Australia; and Bobrick Washroom Equipment Limited, United Kingdom.