

MODEL

DRINKING FOUNTAIN ENCLOSED TRAP

RBA8901-102

Wall Mounted Drinking Fountain



As improvements in the design and performance of RBA products are continuous, specifications may be subject to change without notice. The illustrations and descriptions herein are applicable to production as of the date of this Installation Instructions Sheet. Revised 07/22 © 2022 by RBA Group II/Model RBA8901-102/0722

Components

- Stainless Steel Drinking Fountain
- S-Clip
- Bubbler Assembly

Components Supplied by others

- Wall anchors
- 40mm trap

Hydraulic Requirements

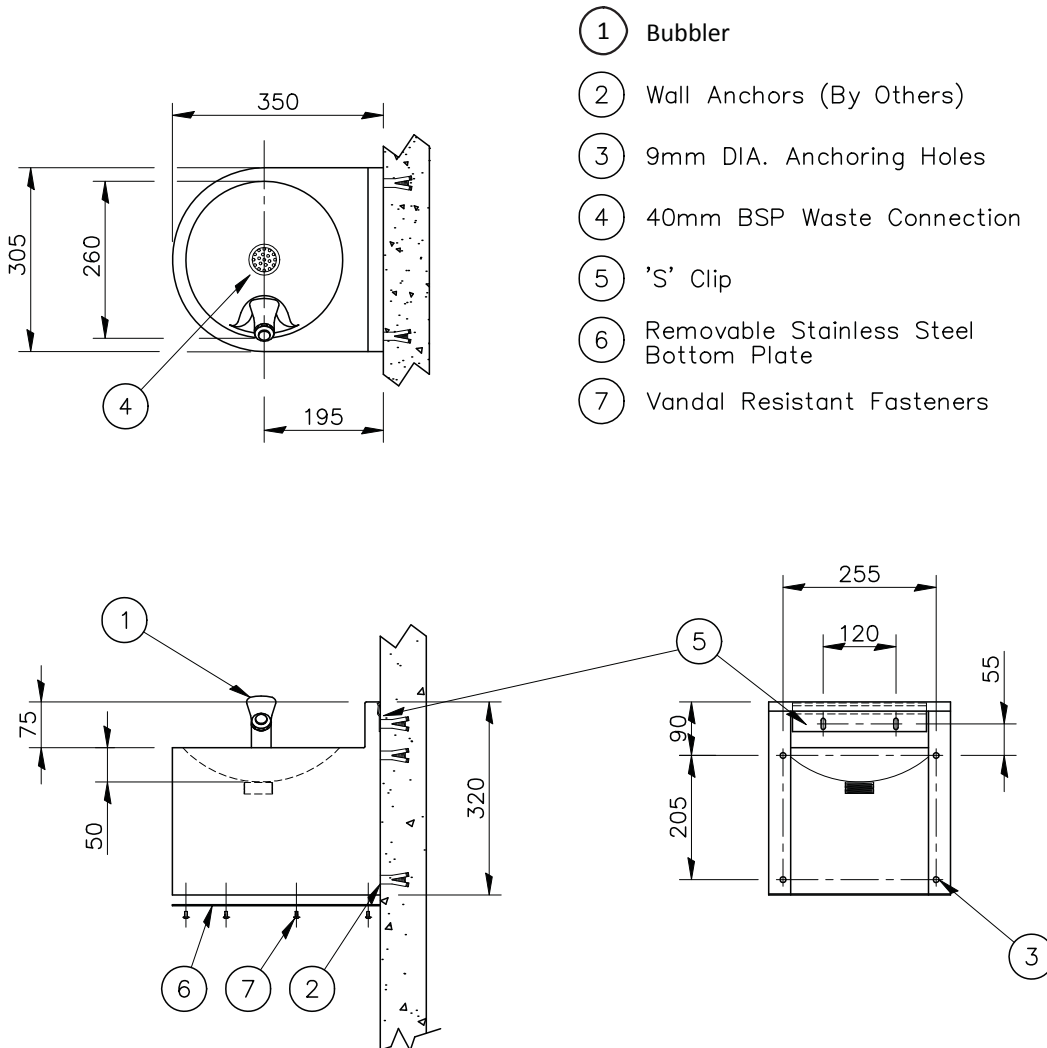
Pressure:	Min: 200kPa Max: 500kPa
Inlet Connection:	G½B inlet connection
Outlet Connection:	40mm BSP Waste connection
Water Temperature:	4 - 30°C

Pre-Installation

Installation should be in accordance with AS/NZS 3500.1 & AS/NZS 3500.2, local authority and statutory requirements, and as per these installation instructions. The drinking fountain is “wall mounted” and should preferably be fixed to a masonry wall with suitable wall anchors provided by others.

Installation

1. Check rough-in drawing for mounting and details [rim typically 695-700mm off the FFL].
2. Remove access panel with supplied security bit.
3. Place the unit in the required location and mark up fixing locations.
4. Fix S-clip first, place unit and then fix unit to wall using appropriate anchors and bolts supplied by others.
5. Mount bubbler assembly.
6. Flush water lines to remove any solids from the pipe lines before making required supply and drainage connections.
7. Turn on water and test for leaks before re-attaching access panel.



- ① Bubbler
- ② Wall Anchors (By Others)
- ③ 9mm DIA. Anchoring Holes
- ④ 40mm BSP Waste Connection
- ⑤ 'S' Clip
- ⑥ Removable Stainless Steel Bottom Plate
- ⑦ Vandal Resistant Fasteners

RBA8901-102 Wall Mounted Drinking Fountain

Unit is a wall mounted drinking fountain fabricated of 1.6mm thick, type 304 stainless steel with exposed surfaces polished to a satin finish. Unit includes removable stainless steel bottom plate with vandal resistant fasteners, s-clip mounting bracket and bubbler. Waste trap and wall anchors by others.

Troubleshooting

Problem	Probable Cause	Solution
No flow or low volume	Water turned off. Inlet strainer blocked.	Turn on. Remove and clean.
Water flows continuously	Cartridge blocked with dirt or cartridge damaged	Remove and clean. Replace the cartridge*
Leak under knob	Loose screws or cartridge damaged	Tighten brass screw under white flow adjustment screw. Replace the cartridge*
Short or long flow stream	Low or high pressure	Rectify supply pressure as per hydraulic requirements
Short or long flow stream	Cartridge adjustment required	Remove button, adjust white screw in cartridge clockwise to reduce, or counter clockwise to increase.

Spare Parts

RBA Code No.	Description
RBA8900-999-002	Replacement cartridge

Note: This product should be installed, by suitably qualified persons, in a fit for purpose application, to suitable materials, using suitable fixings and comply with any relevant codes. It should be inspected periodically for signs of wear and tear that may affect performance or safety.

Dimensions are subject to manufacturer's tolerance of +/-10mm. Rough-in should be completed with each fixture.

Important: Installation Instructions are subject to change without notice.

Please visit **our websites** for latest revision.