

MODEL

RBA8867-100

BASIN WALL MOUNTED

Benefit Basin Wall Mounted



As improvements in the design and performance of RBA products are continuous, specifications may be subject to change without notice. The illustrations and descriptions herein are applicable to production as of the date of this Installation Instructions Sheet. Revised 12/21 © 2021 by RBA Group II/Model RBA8867-100/1221

Description

Wall mounted vandal resistant basin, fabricated from 1.2mm type 304 stainless steel. All exposed surfaces polished to a satin finish, and corners ground to a rounded surface. Basin is supplied with integral fixing brackets, access panel, single 35mm diam tap hole and 55mm hole to accept 40mm waste outlet.

Components Supplied

- Basin complete with integral brackets
- 40mm Waste Outlet
- Torx 25 driver

Components Supplied by Others

- Tapware [Tapware supplied with RBA8867-186]
- Wall Anchors & fixings
- 40mm Low Level 'P' trap

Pre-Installation

This product should be installed, by suitably qualified persons, in a fit for purpose application, to suitable materials, using suitable fixings and comply with any relevant codes. It should be inspected periodically for signs of wear and tear that may affect performance or safety.

Installation

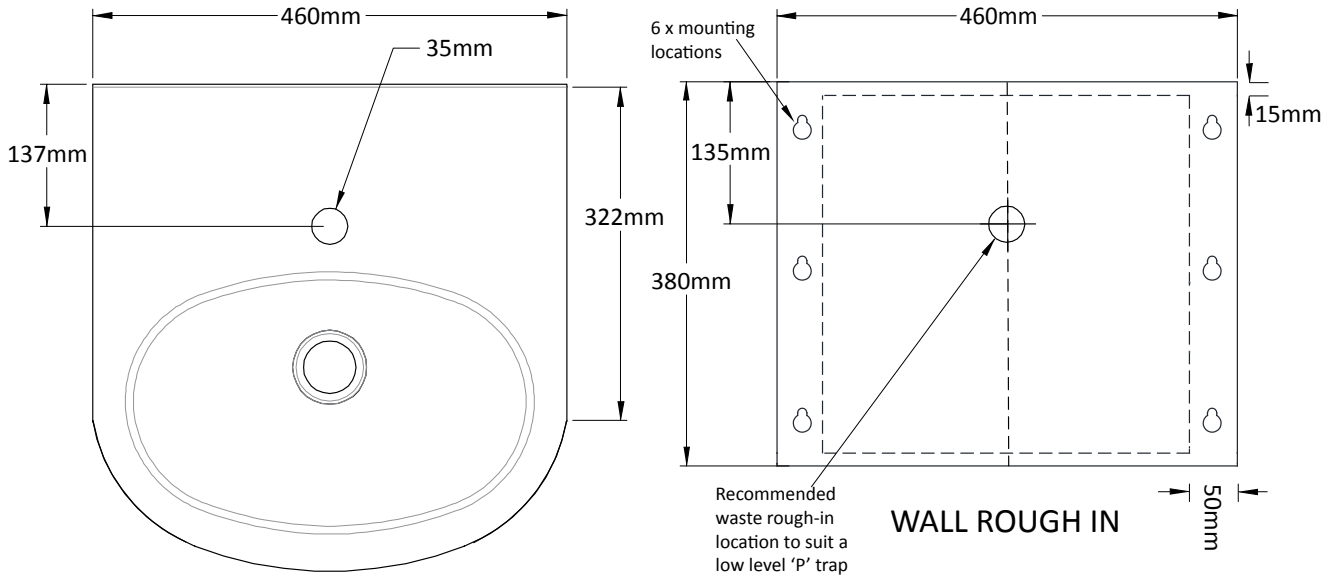
Basin is vandal resistant and should be mounted on a suitably constructed wall to support the unit, using suitable wall anchors provided by others. Ensure that the basin is mounted level, and at the correct height.

Typically the basin should be mounted with the rim at 870mm above FFL, when not installed in an accessible area, or at a height suitable for the application.

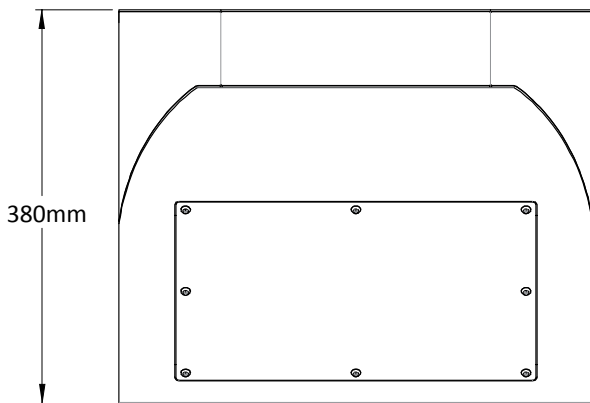
If mounted in an accessible area, reference should be made to AS1428.1, with regard to location, mounting height, and tapware.

Notes: For RBA8867-186 Benefit Basin with Compliant Tapware, please refer to RBA1083-607 tapware installation instructions.

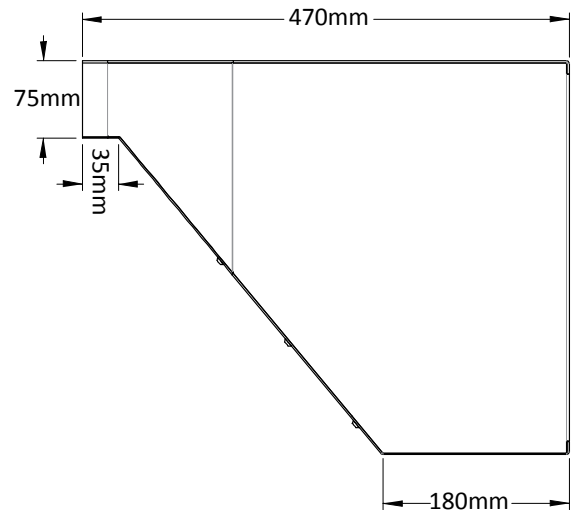
Dimensions & Rough In



TOP VIEW



FRONT VIEW



SIDE VIEW

Note: This product should be installed, by suitably qualified persons, in a fit for purpose application, to suitable materials, using suitable fixings and comply with any relevant codes. It should be inspected periodically for signs of wear and tear that may affect performance or safety.

Dimensions are subject to manufacturer's tolerance of +/-10mm. Rough-in should be completed with each fixture.

Important: Installation Instructions are subject to change without notice. Please visit **our websites** for latest revision.

