

MODEL **WALL MOUNTED BASIN**

RBA8864-100 Wall Mounted Basin



As improvements in the design and performance of RBA products are continuous, specifications may be subject to change without notice. The illustrations and descriptions herein are applicable to production as of the date of this Installation Instructions Sheet. Revised 07/22 © 2022 by RBA Group II/Model RBA 8864-100/0722

Components Supplied

- Basin complete with fixing brackets
- 40mm Waste Outlet

Components Supplied By Others:

- Tapware
- Wall anchors and fixings
- Trap

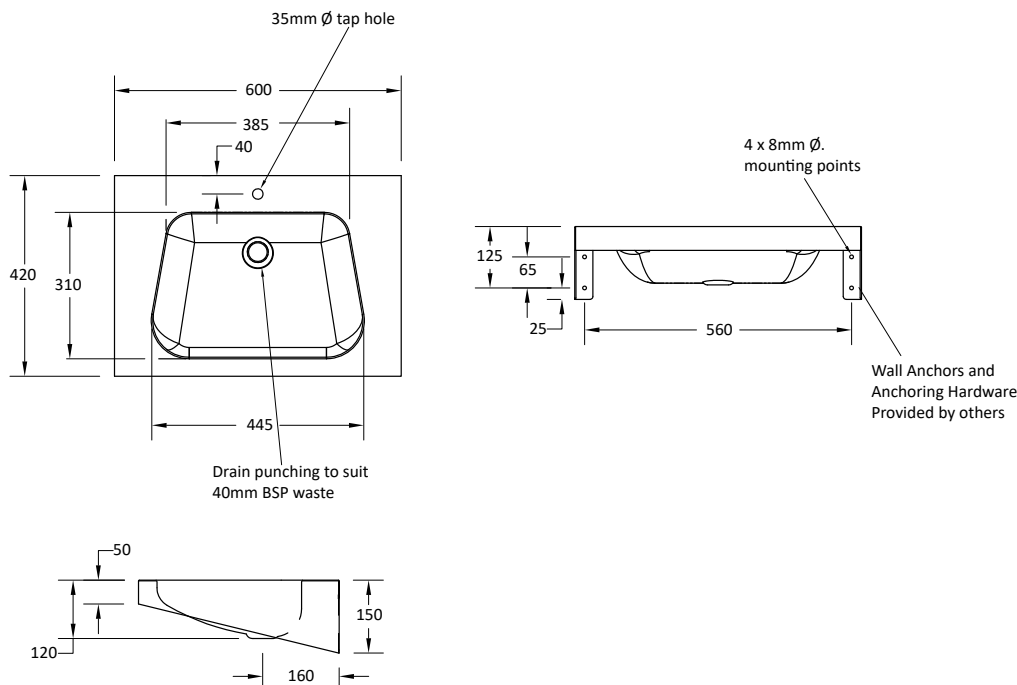
Description

Wall mounted vandal resistant basin, fabricated from 1.3mm type 304 stainless steel. All exposed surfaces polished to a satin finish, and corners ground to a rounded surface.

Basin is supplied with in built fixing brackets, single 35mm Ø tap hole and 55mm Ø hole to accept 40mm waste outlet and tap supplied by others.

Installation:

1. Basin is vandal resistant and should be mounted on a suitable wall to support the unit, using the brackets provided and suitable wall anchors provided by others. Ensure that the basin is mounted level, and at the correct height.
2. For accessible/disabled installations the basin should be mounted with the rim at 864mm above FFL. For non-accessible/ disabled installations, or at a height suitable for the application.
3. reference should be made to AS1428.1, with regard to location, height, and tapware.



Note: This product should be installed, by suitably qualified persons, in a fit for purpose application, to suitable materials, using suitable fixings and comply with any relevant codes. It should be inspected periodically for signs of wear and tear that may affect performance or safety.

Dimensions are subject to manufacturer's tolerance of +/-10mm. Rough-in should be completed with each fixture.

Important: Installation Instructions are subject to change without notice.

Please visit **our websites** for latest revision.