

## MODEL STAINLESS STEEL WC ACCESSIBLE

RBA8851-428

Front Or Rear Mount



As improvements in the design and performance of RBA products are continuous, specifications may be subject to change without notice. The illustrations and descriptions herein are applicable to production as of the date of this Installation Instructions Sheet. Revised 04/22 © 2022 by RBA Group II/Model RBA8851-428/0422

## Components Supplied:

- “P” Trap Stainless Steel Pan
- M12 fixing rods with nuts & washers
- “S” Clip
- “S” Trap converter
- Security bit
- Plastic Seat [no lid]

## Components Supplied by others:

- 40mm PVC Flush Pipe + Geberit Kee Seal 119.668.00.1

## Pre-Installation

Installation should be in accordance with local authority and statutory requirements, and as per these installation instructions.

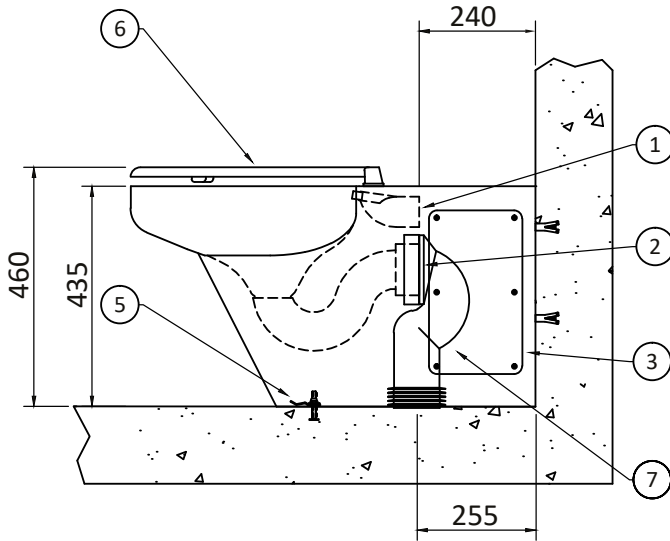
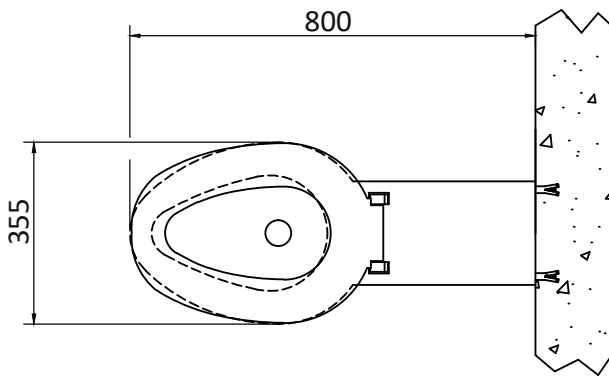
Pan is “wall faced” and should preferably be fixed to a masonry wall with suitable wall anchors provided by others. Supplied with “S” trap converter to allow either “S” or “P” configuration.

Flushing device should be –

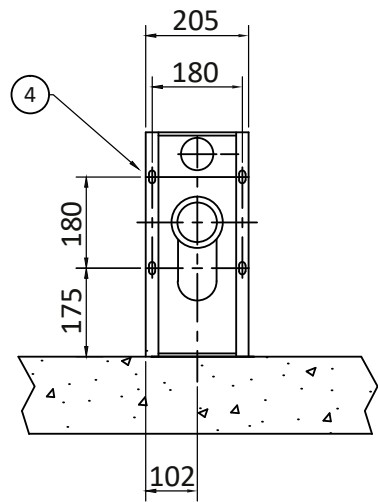
- Fowler Tasman Mk 2 [or Stylus Symphony] cistern
- Caroma Invisi II [Inceiling mount recommended]

## Installation

1. If not pre-formed, make sufficient penetrations through the wall, as determined from the drawing, to allow the 100 mm waste pipe, 50 mm flush pipe, and, if necessary, M12 fixing rods to pass through. If front fixed, suitable wall anchors supplied by others.
2. Fix the “S” clip to the floor in a location determined from the drawing.
3. Fit a 100 mm pan collar to the outlet with sufficient 100 mm pipe to extend through the wall. [Alternately the waste and flush pipes may be pre-Plumbed and the pan pushed onto the pipework.] If “S” trap configuration is required, location of floor penetration should be determined from the drawing.
4. Similarly fit a 50 mm keeseal to the pan inlet with sufficient pipe, as provided by the cistern manufacture, to extend through the wall.
5. Push the pan into position, ensuring that the “S” clip on the floor is engaged, and secure the pan to the wall.
6. Make the necessary connections to the waste, and install the cistern and connect according to the manufacturers instructions.
7. Check for leaks and correct flush volumes, 6 litres full flush and 3 litres half flush.
8. Fit the seat to pre-drilled holes and replace the access panels.



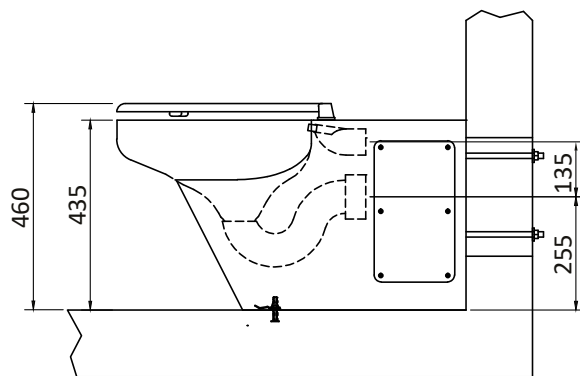
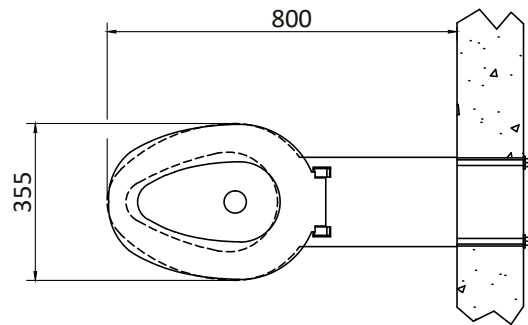
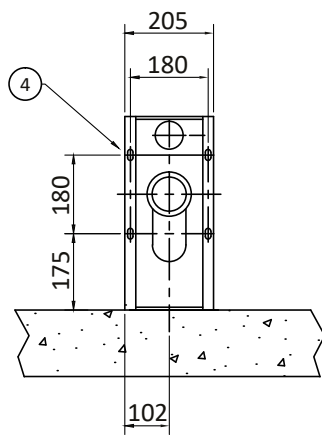
- ① 55mm ID Flush Inlet; Keyseal Provided by Others.
- ② 100mm OD Waste Outlet.
- ③ Access Panels - Both Sides of Toilet Housing.
- ④ 4 x 12mm Fixing Points
- ⑤ Concealed S-Clip Floor Anchor
- ⑥ Hinged Toilet Seat
- ⑦ S-Trap Converter



**RBA8851-428 Front Fixed**

## Dimensions & Rough In

- ① 55mm ID Flush Inlet; Keyseal Provided by Others.
- ② 100mm OD Waste Outlet.
- ③ Access Panels - Both Sides of Toilet Housing.
- ④ 4 x 12mm Fixing Points
- ⑤ Concealed S-Clip Floor Anchor
- ⑥ Hinged Toilet Seat
- ⑦ S-Trap Converter



### RBA8851-428 Rear Fixed

**Note:** This product should be installed, by suitably qualified persons, in a fit for purpose application, to suitable materials, using suitable fixings and comply with any relevant codes. It should be inspected periodically for signs of wear and tear that may affect performance or safety.

Dimensions are subject to manufacturer's tolerance of +/-10mm. Rough-in should be completed with each fixture.

**Important:** Installation Instructions are subject to change without notice.

Please visit **our websites** for latest revision.