

MODELS

RBA4110-999-SERIES

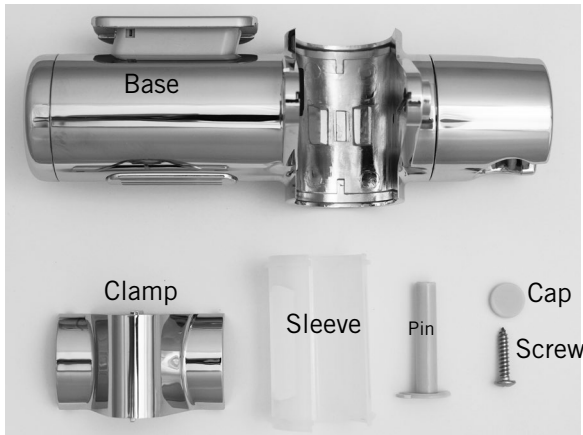
- RBA4110-999-011** ënda Shower Rail Handset Slider | Chrome
- RBA4110-999-013** ënda Shower Rail Handset Slider | Satin
- RBA4110-999-014** ënda Shower Rail Handset Slider | Matte Black, LH
- RBA4110-999-015** ënda Shower Rail Handset Slider | Matte Black, RH



RBA4110-999-011 model is shown.



As improvements in the design and performance of RBA products are continuous, specifications may be subject to change without notice. The illustrations and descriptions herein are applicable to production as of the date of this Installation Instructions Sheet. Revised 01/22 © 2022 by RBA Group II/Model RBA4110-999-series/0122



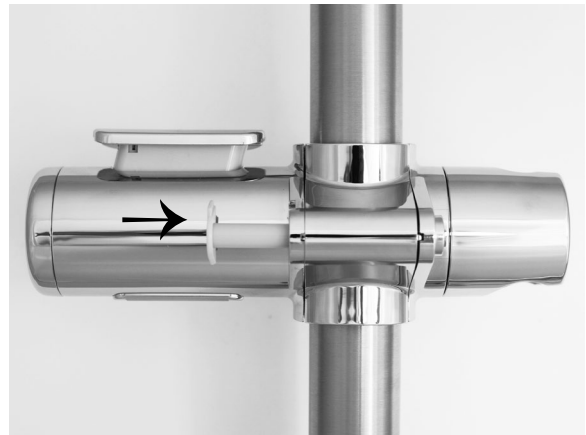
1. Check parts



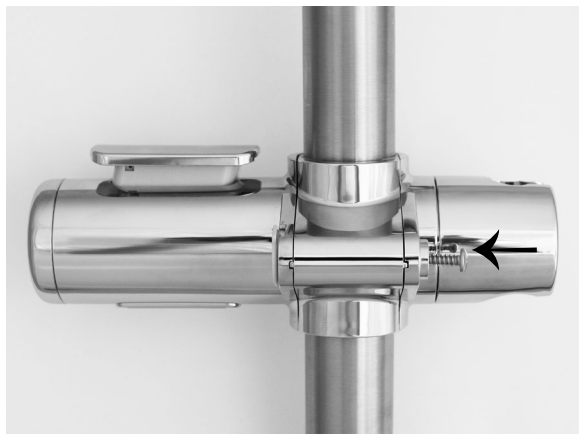
2. Slide sleeve & base onto rail



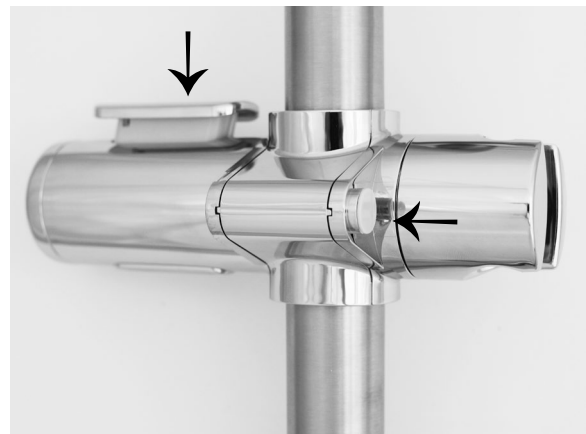
3. Slide clamp into place



4. Insert pin



5. Insert screw



6. Insert cap over screw

7. Push down on button to move slider