

## MODELS

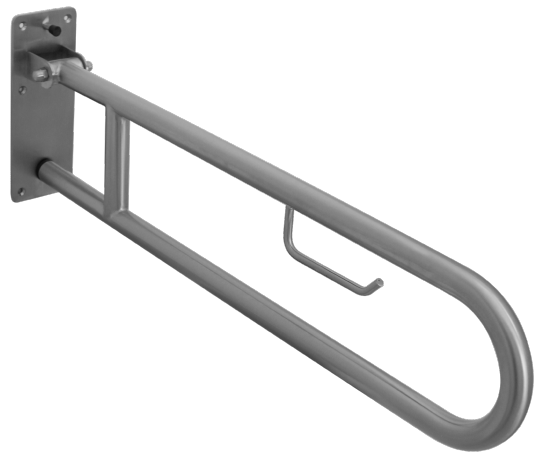
## DROP DOWN RAILS

**RBA4007-122**

Drop Down Grab Rail

**RBA4007-123**

Drop Down Grab Rail with Toilet Roll Holder



As improvements in the design and performance of RBA products are continuous, specifications may be subject to change without notice. The illustrations and descriptions herein are applicable to production as of the date of this Installation Instructions Sheet. Revised 06/22 © 2022 by RBA Group II/Model RBA4007-122/123/0622

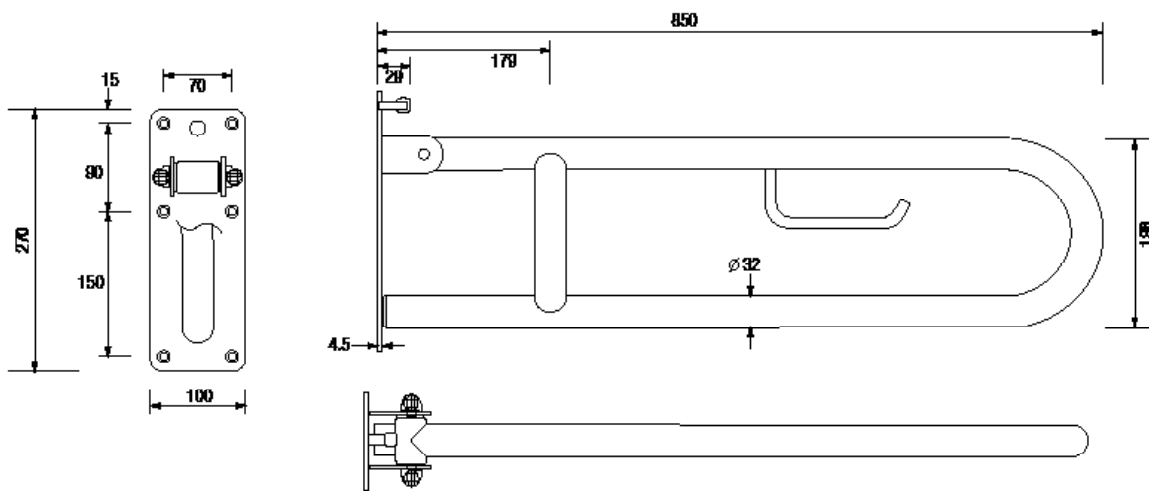
## Description

Drop down grab rail, fabricated from 32mm [Dia] type 304 stainless steel. All exposed surfaces polished to a satin finish, and corners ground to a rounded surfaces

## Components Supplied

- Drop down grab rail
- 6 x Wall plugs
- 6 x Screws

## Dimensions & Rough In



## Pre-Installation

1. Measure site to ensure correct size and location. Where required, ensure unit is installed to meet local building codes and specifier's instructions.
2. Ensure wall construction in fixing locations are able to support the unit, and the loads it will be subjected too.
3. This unit should be installed by suitably qualified persons, in a fit for purpose application, with suitable materials.

## Installation

1. Place unit on wall in location as required and mark mounting location for each fixture.
2. Secure unit to wall at all 6 mounting points using provided fixings.
3. Check to make sure the rail sits horizontal in the down position and that the mounting flange is flat against the wall.
4. Check to see if rail moves freely from horizontal to vertical position, and stays in the vertical position. Apply a small amount of force to release from vertical position and slowly lower back to horizontal position.

## Operation & Maintenance

The rail can be lowered to the horizontal position by applying a small force to the rail to lower it. The rail can sit in the horizontal position to provide assistance to the user. The rail can then be folded up back into the vertical position when not in use. Unit should be inspected regularly to ensure correct function of the drop down arm mechanism, no deformation of the structure and general wear and tear to prevent any issues that may affect performance or safety. Hinge-bolt may be tightened to ensure rail stays in the upright position when required.

**Note:** This product should be installed, by suitably qualified persons, in a fit for purpose application, to suitable materials, using suitable fixings and comply with any relevant codes. It should be inspected periodically for signs of wear and tear that may affect performance or safety.

Dimensions are subject to manufacturer's tolerance of +/-10mm. Rough-in should be completed with each fixture.

**Important:** Installation Instructions are subject to change without notice.

Please visit **our websites** for latest revision.