

MODELS

RBA1083 SERIES

RBA1083-600	6 Star [5.0Lpm] Stainless Steel Self Closing Push Tap - Polished
RBA1083-607	6 Star [5.0Lpm] Stainless Steel Self Closing Push Tap - Satin
RBA1083-650	6 Star [1.7Lpm] Stainless Steel Self Closing Push Tap - Polished
RBA1083-657	6 Star [1.7Lpm] Stainless Steel Self Closing Push Tap - Satin



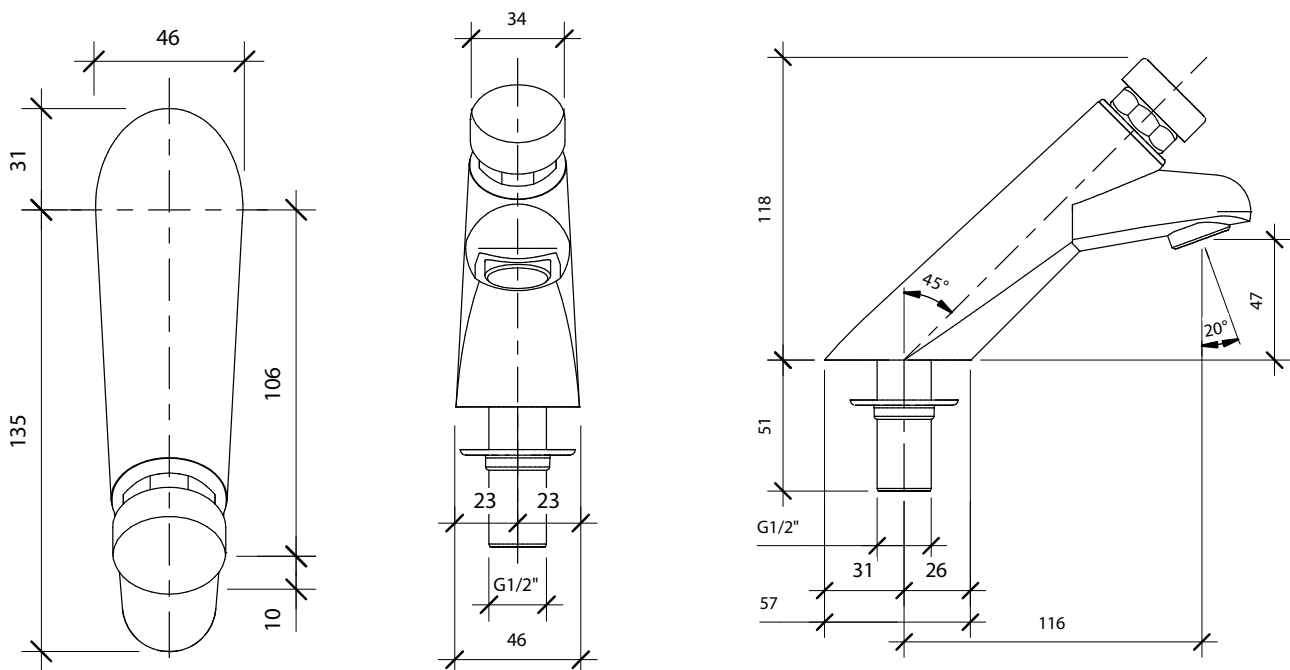
As improvements in the design and performance of RBA products are continuous, specifications may be subject to change without notice. The illustrations and descriptions herein are applicable to production as of the date of this Installation Instructions Sheet. Revised 10/21 © 2021 by RBA Group II/Model RBA1083-Series/1021

Technical Data

Inlet: 1/2" BSP [G1/2"]
 Operating pressure: 200 – 500 kPa
 Flow Time: 7 seconds nominal* [not adjustable]
 Maximum Temp: 40°C
 Flow Rate: 1.7L per minute, 5.0L per minute
 Warranty: 2 years

Dimensions

* Variances may occur due to site conditions



Description

Self closing pillar cock is designed for vandal prone areas, cast from 300 series stainless steel, with either polished or satin finish. Single connection, valve will deliver cold or pre mixed water, single temperature only.

RBA Code No.	Description
RBA1083-650	Bright Polished Stainless Steel, 6 Star WELS, 1.7Lpm
RBA1083-657	Satin Stainless Steel, 6 Star WELS, 1.7Lpm
RBA1083-600	Bright Polished Stainless Steel, 6 Star WELS, 5.0Lpm
RBA1083-607	Satin Stainless Steel, 6 Star WELS, 5.0Lpm

Installation

1. Installation must be carried out in accordance with local authority requirements.
2. Flush the line thoroughly, and remove all dirt and grit from the line before connecting the valve
3. Install the tap in the basin, tightening with basin spanner or suitable tool.
4. Connection may be made with either flexible S/S braided hose, or copper tube and compression fittings.
5. Before turning on the water remove the aerator and flush the tap.
6. Replace the aerator and check for leaks.
7. Fit appropriate coloured indicator to the handle.

Troubleshooting

Problem	Probable Cause	Solution
No flow or low volume	Water turned off Water outlet blocked	Turn on Remove and clean*
Water flows continuously or Short/ long flow time	Cartridge blocked with dirt Cartridge damaged	Remove and clean* Replace the cartridge*
Leak under knob	Cartridge damaged	Replace the cartridge*

*To remove the aerator and cartridge, use the Spanner Key [fig. 3] [Not supplied with the pillar cock]

Spare Parts

Figure 2

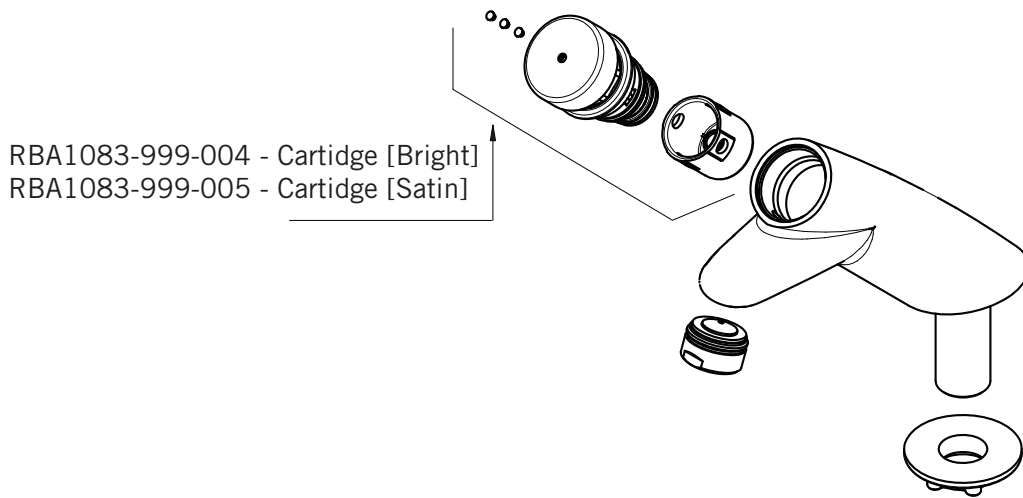
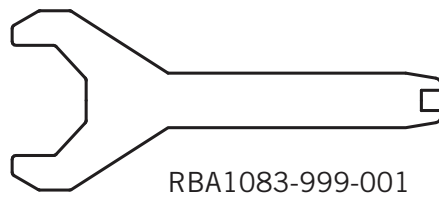


Figure 3



RBA Code No.	Description
RBA1083-999-001	Spanner Key
RBA1083-999-004	7 second nominal Cartridge with Coloured Plugs [Bright]
RBA1083-999-005	7 second nominal Cartridge with Coloured Plugs [Satin]
RBA1083-999-010	45mm Heavy Duty Brass Locknut

Note: This product should be installed, by suitably qualified persons, in a fit for purpose application, to suitable materials, using suitable fixings and comply with any relevant codes. It should be inspected periodically for signs of wear and tear that may affect performance or safety.

Dimensions are subject to manufacturer's tolerance of +/-10mm. Rough-in should be completed with each fixture.

Important: Installation Instructions are subject to change without notice.

Please visit **our websites** for latest revision.