

MODELS

RBA1055-SERIES

RBA1055-510

Shower Valve - Short Run InWall

RBA1055-530

Shower Valve - Long Run InWall



RBA1055-510



RBA1055-530



As improvements in the design and performance of RBA products are continuous, specifications may be subject to change without notice. The illustrations and descriptions herein are applicable to production as of the date of this Installation Instructions Sheet. Revised 09/21 © 2021 by RBA Group II/Model RBA1055-series/0921

Technical Data

Inlet/Outlet	3/4" BSP (G3/4") Female
Operating pressure	200 – 500 kPa
Flow Time	Long-run Tap - 30 seconds Short-run Tap - 10 seconds)
Maximum Temp.	55°C
Warranty	2 Years

Dimensions

RBA1055-510 - Short-run Tap Valve
RBA1055-530 - Long-run Tap Valve

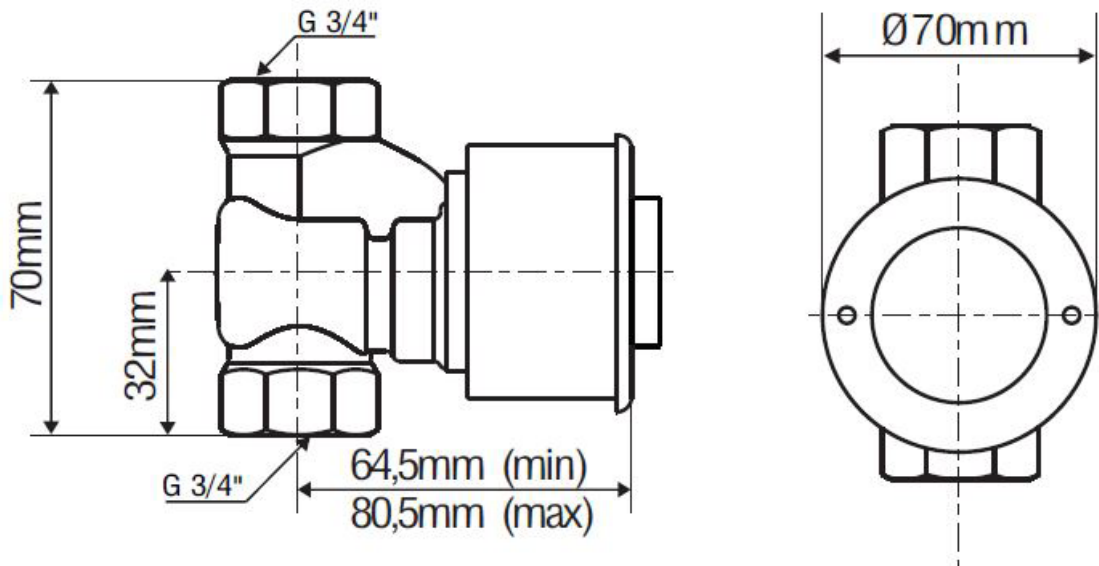


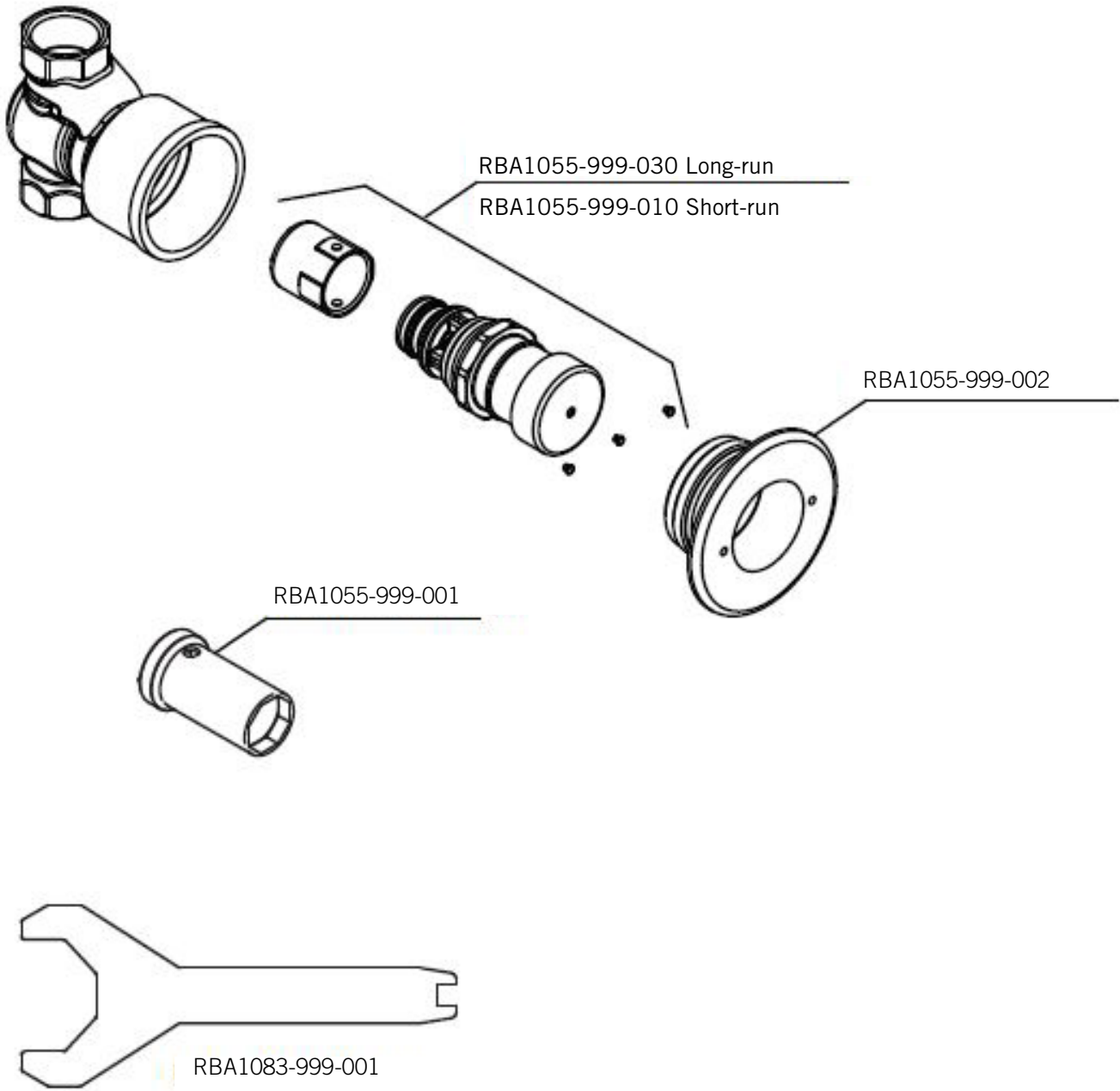
Figure 1

Description

Self closing valves designed for public areas, available in bright chrome finish casted from dezincification resistant brassalloy. Single connection to water supply line, to either cold or mixed water.

RBA1055-510	Short-run Tap Valve	10 Seconds nominal
RBA1055-530	Long-run Tap Valve	30 Seconds nominal

Spare Parts



RBA Code No.	Description
RBA1055-999-030	Long-run Cartridge with Coloured Plugs (30 Seconds)
RBA1055-999-010	Short-run Cartridge with Coloured Plugs (10 Seconds)
RBA1055-999-002	Escutcheon
RBA1055-999-001	Special key
RBA1083-999-001	Spanner key

Installation Below Outlet

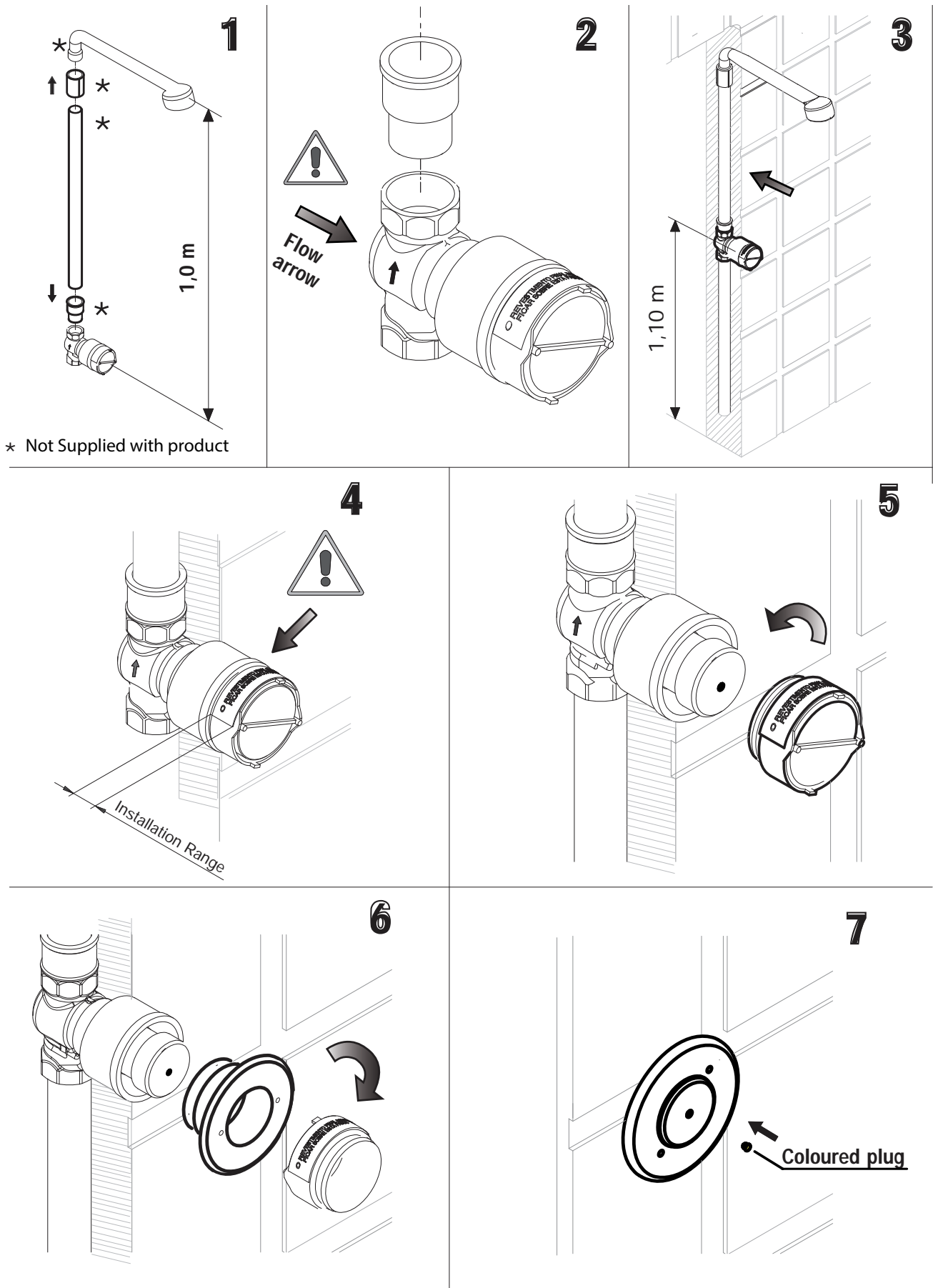


Figure 2

Installation - Above Outlet

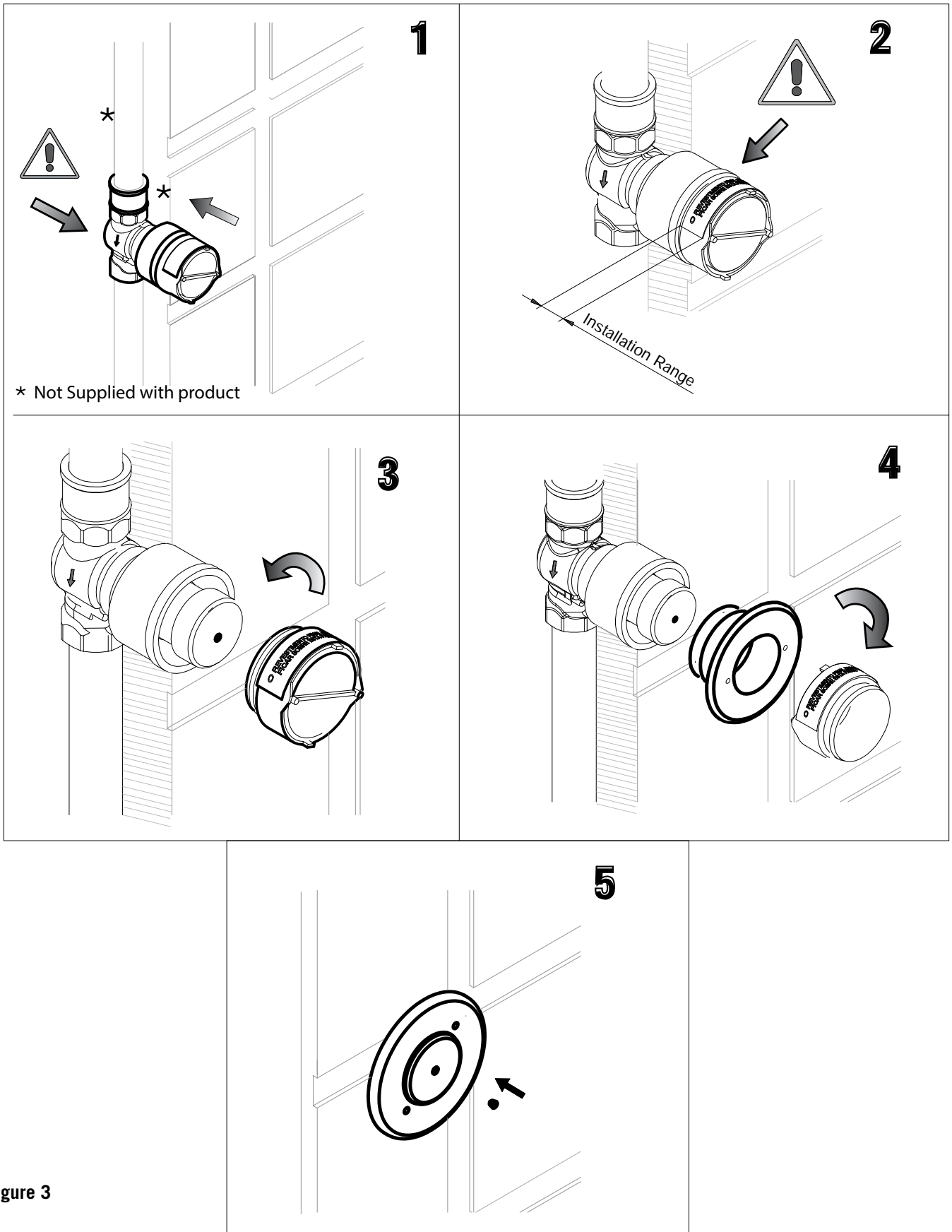
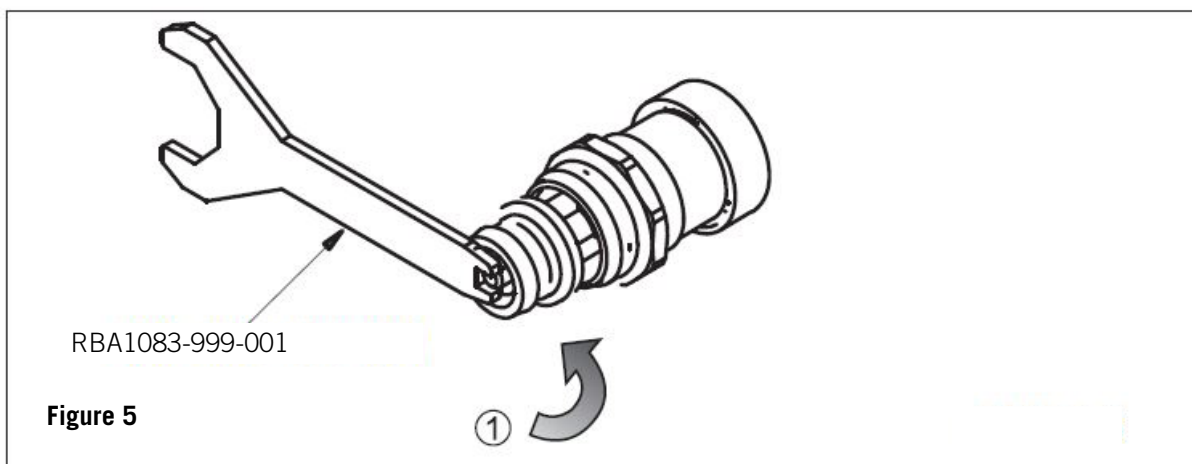
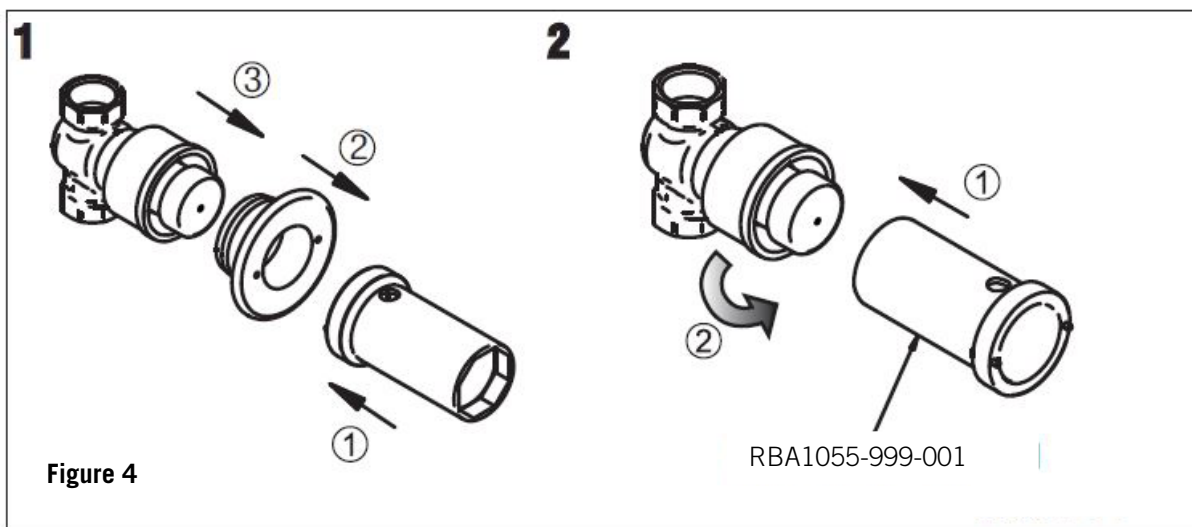


Figure 3

Troubleshooting

Problem	Probable Cause	Solution
No flow or low volume	Water turned off Water outlet blocked	Turn on Remove the blockage
Water flows continuously or Short/ long flow time	Cartridge blocked with dirt Cartridge damaged Valve direction incorrect	Remove and clean* Replace the cartridge*
Leak under knob	Cartridge damaged	Replace the cartridge*

Maintenance Keys



Note: This product should be installed, by suitably qualified persons, in a fit for purpose application, to suitable materials, using suitable fixings and comply with any relevant codes. It should be inspected periodically for signs of wear and tear that may affect performance or safety.

Dimensions are subject to manufacturer's tolerance of +/-10mm. Rough-in should be completed with each fixture.

Important: Installation Instructions are subject to change without notice.

Please visit **Our websites** for latest revision.

