

MODEL RBA1053-SERIES

RBA1053-600
RBA1053-688

Rio Wall Mount Self Closing Tap 6 star
 Rio Wall Mount Self Closing Tap with Isolation Valve 6 star

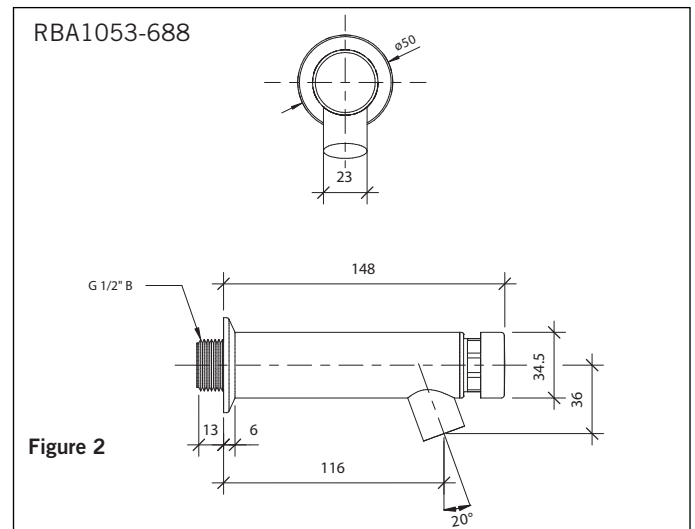
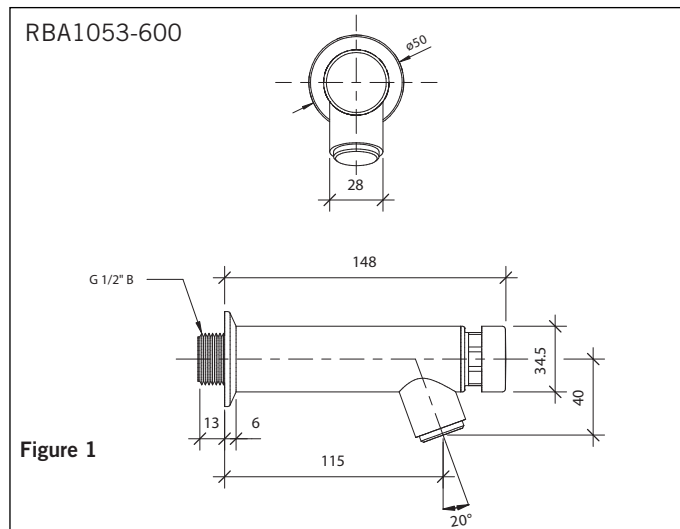


As improvements in the design and performance of RBA products are continuous, specifications may be subject to change without notice. The illustrations and descriptions herein are applicable to production as of the date of this Installation Instructions Sheet. Revised 08/21 © 2021 by RBA Group II/Model RBA1053-600 / RBA1053-688/0821

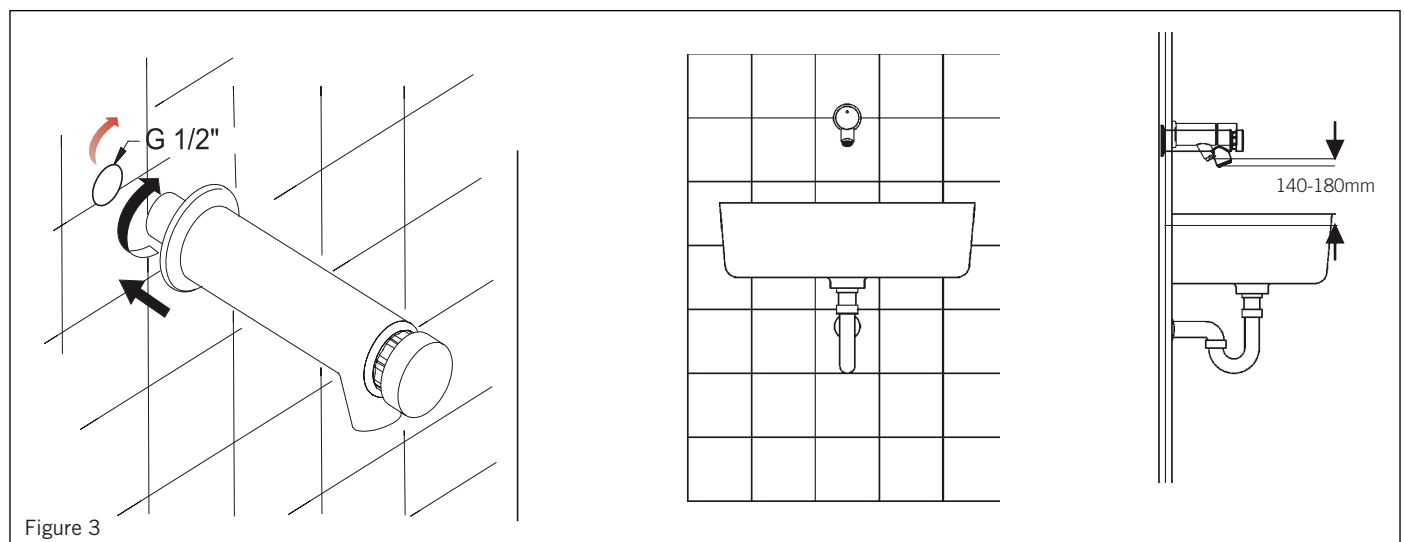
Technical Data

Inlet	Male 1/2" BSP [G1/2"B]
Operating pressure	200 – 500 kPa
Flow Time	7 seconds nominal
Maximum Temp.	55°C
Flow Rate	RBA1053-600 4.5L per minute RBA1053-688 5.5L per minute
Warranty	2 Years

Dimensions



Typical Installation



Description

Self closing pillar tap designed for public areas, available in bright chrome finish cast from dezincification resistant brass alloy. Single connection to water supply line, to either cold or mixed water.

Installation

1. Installation to be in accordance with the AS/NZ3500 series of Standards plus all local and statutory requirements. For Australia, installation shall be in accordance with the PCA [Plumbing Code of Australia] and any relevant local authority requirements.
2. Flush the line thoroughly, and remove all dirt and grit from the line before connecting the tap
3. Install as per Figure 3 in: "Typical Installation".
4. Before turning on the water remove the aerator and flush the tap.
5. Replace the aerator and check for leaks.
6. Fit appropriate coloured temperature indicator to the handle.

Isolation Valve RBA1053-688

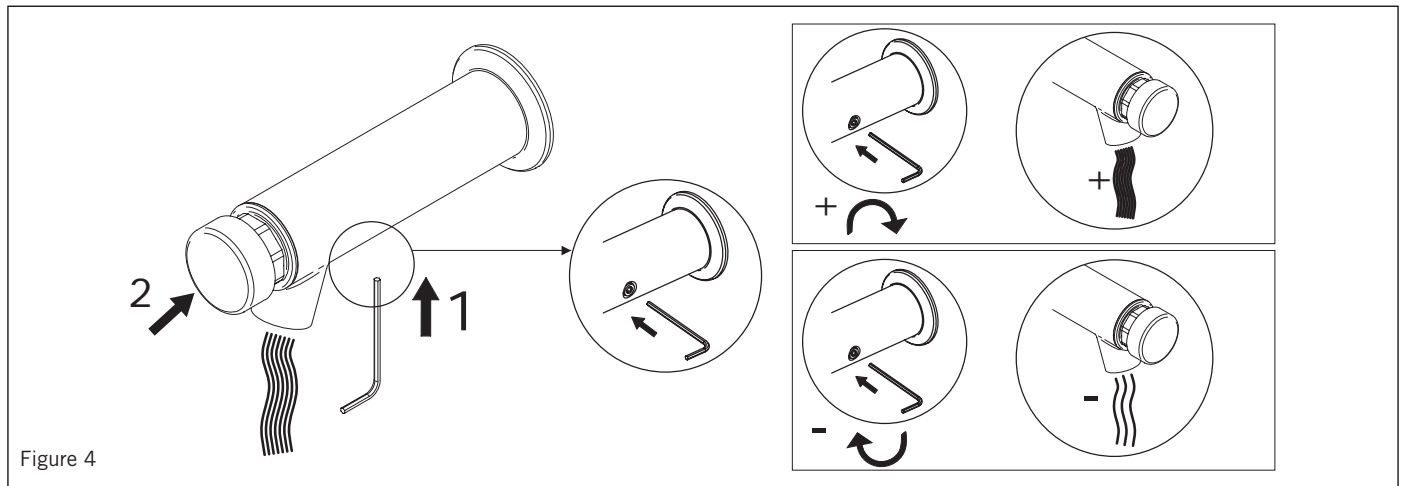


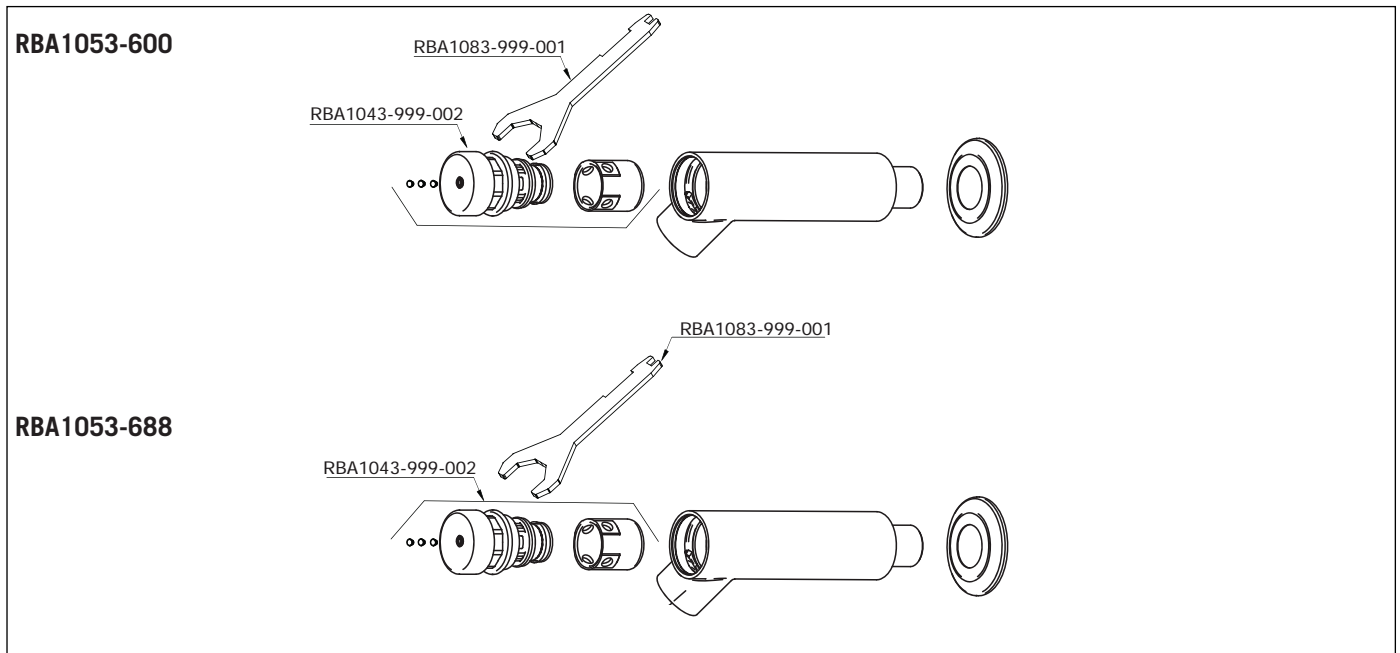
Figure 4

Troubleshooting

Problem	Probable Cause	Solution
No or low volume	Water turned off	Turn on
	Aerator blocked	Remove and clean*
Water flows continuously or short/long flow time	Cartridge blocked with dirt	Remove and clean*
	Cartridge damaged	Replace the cartridge*
Leak under knob	Cartridge damaged	Replace the cartridge*

*To Remove the aerator and cartridge, see "Spare Parts" to choose appropriate tool. [Not supplied with product]

Spare Parts



RBA Code No.	Description
RBA1043-999-002	Cartridge with Coloured Plug
RBA1053-999-001	Vandal resistant flange, chrome
RBA1053-999-002	65mm chrome extension kit
RBA1053-999-003	1/2" BSP Adaptor, Female
RBA1083-999-001	Spanner key

Note: This product should be installed, by suitably qualified persons, in a fit for purpose application, to suitable materials, using suitable fixings and comply with any relevant codes. It should be inspected periodically for signs of wear and tear that may affect performance or safety.

Dimensions are subject to manufacturer's tolerance of +/-10mm. Rough-in should be completed with each fixture. Important: Installation Instructions are subject to change without notice.

Please visit www.rba.com.au for latest revision.