

Model RBA8900-999-006



Materials & Features

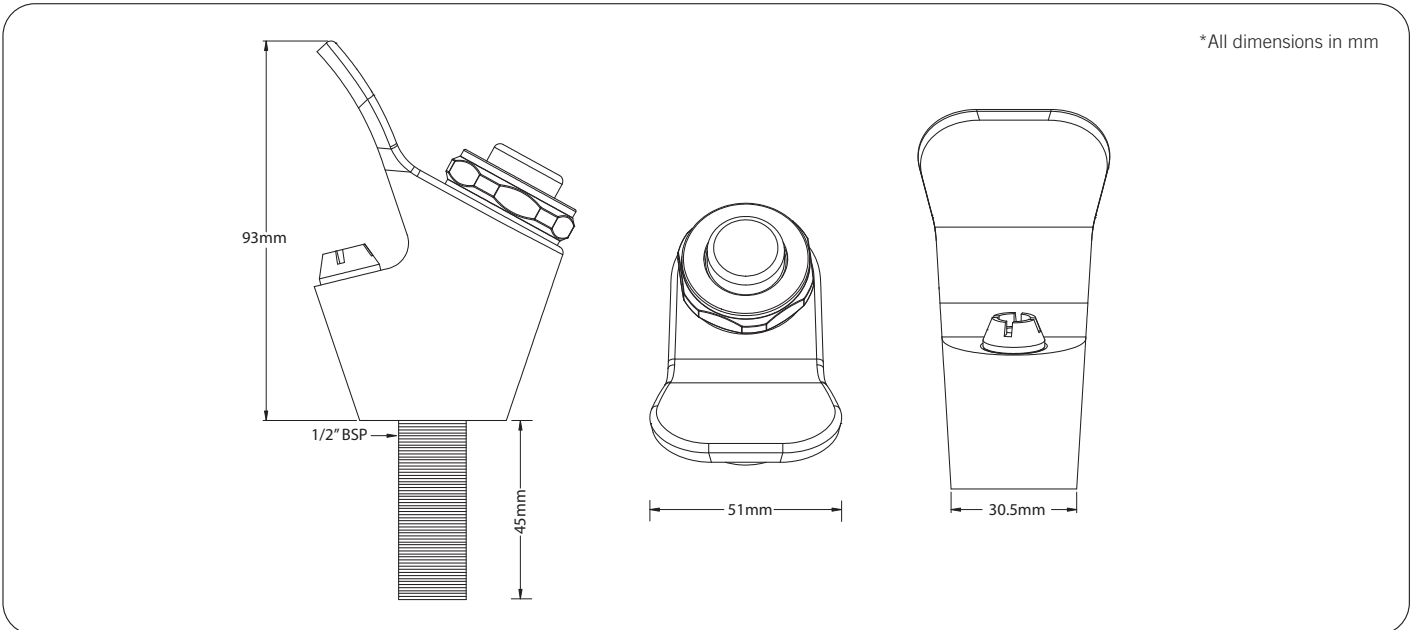
Manufactured from stainless steel with all exposed surfaces in bright finish. Shielded bubbler with self-closing push button strainer and non-squirt features. Smooth radiused design eliminates sharp corners.

Technical Detail

Inlet Connection:	G $\frac{1}{2}$ B
Water Pressure:	200 – 500 kPa
Water Temperature:	4 - 30°C

Available Model
RBA8900-999-006 Replacement Bubbler

Important: Installation instructions and current rough-in details should be furnished with each fixture. Do not rough in without certified dimensions. Dimensions are subject to manufacturer's tolerance of +/-10mm.



As improvements in the design and performance of RBA products are continuous, specifications may be subject to change without notice. The illustrations and descriptions herein are applicable to production as of the date of this Technical Data Sheet. Revised 06/21 © 2021 by RBA Group TD/Model RBA8900-999-006/0621