

Model RBA4605-069



*Potential Installation for RH Shown

Materials & Features

Set consists of a Raffaello Chrome T-Rail complete with lever mixer, slider, handset 2.0 hose, wall connection (includes backflow prevention). Grab rail is accessible compliant when installed in accordance with AS1428.1-2009 (Amdt. 2010) and local building codes. Rails are ambidextrous and vertical rail can be positioned left, right or centre.

Technical Detail

Rail:	32mm [Dia], 304 Stainless Steel Chrome Plated
Hose:	2.0M,
Handset:	6 LPM, 4 Star WELS
Slider:	32mm, Chrome
Inlet Connection:	DN 15mm (1/2") BSP Includes backflow prevention
Water Pressure:	150-500 kpa
Water Temperature:	50°C Maximum
SWL:	200Kg (independently tested- contact RBA Group for test documentation).

Available Models

RBA4605-069

Raffaello Shower T-Rail Set Incl, 4 Star WELS Handset, Slider & Mixer | Chrome

Related Products

RBA4604-069

Raffaello Shower T-Rail Set Incl, 4 Star WELS Handset & Slider | Chrome

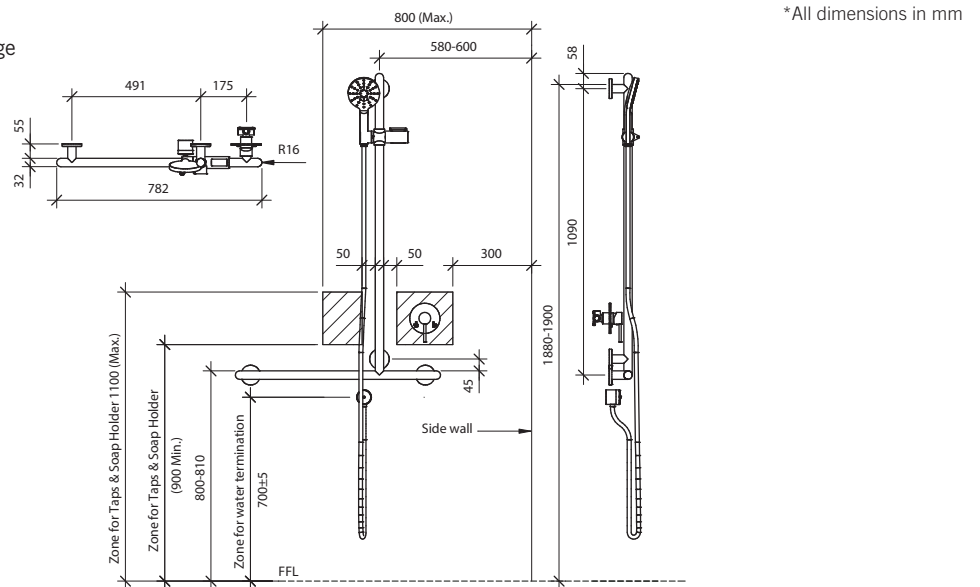
Installation

Warning: Grab rails are no stronger than the anchors or walls to which they are attached and must be firmly secured in order to support the loads for which they are intended. Refer local codes and Installation Instructions for location of fixing points, method of attachment, etc.

Important: Installation instructions and current rough-in details should be furnished with each fixture. Do not rough in without certified dimensions. Dimensions are subject to manufacturer's tolerance of +/-10mm.

Potential Installation - Right Hand

For Left Hand installation see following page



As improvements in the design and performance of RBA products are continuous, specifications may be subject to change without notice. The illustrations and descriptions herein are applicable to production as of the date of this Technical Data Sheet. Revised 06/21 © 2021 by RBA Group TD/Model RBA4605-069/0621

Model RBA4605-069

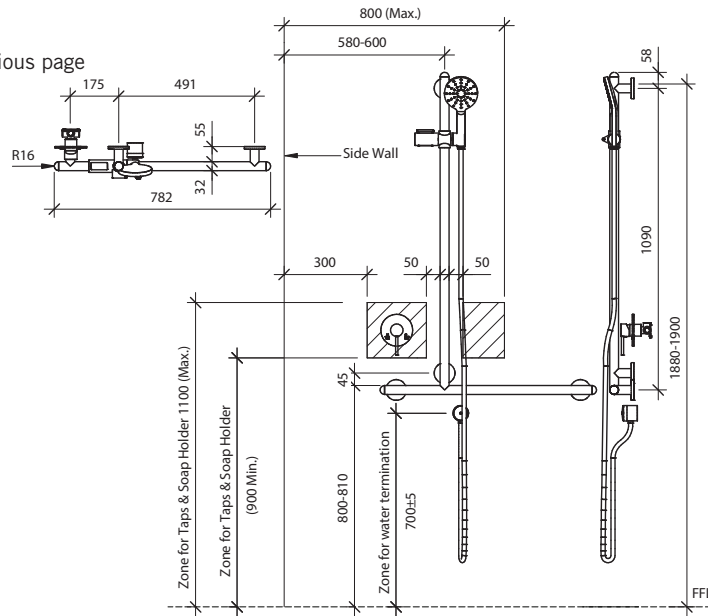


*Potential Installation for LH Shown

Important: Installation instructions and current rough-in details should be furnished with each fixture. Do not rough in without certified dimensions. Dimensions are subject to manufacturer's tolerance of +/-10mm.

Potential Installation - Left Hand

For Right Hand installation see previous page



*All dimensions in mm



As improvements in the design and performance of RBA products are continuous, specifications may be subject to change without notice. The illustrations and descriptions herein are applicable to production as of the date of this Technical Data Sheet. Revised 06/21 © 2021 by RBA Group TD/Model RBA4605-069/0621