

## Model RBA4601-018

### Materials & Features

Stainless Steel 90° angled grab rail meets all requirements of the ambulant section of AS1428.1-2009 (amdt 1, 2010) when installed correctly. The snap flange cover conceals the fixings.

### Technical Detail

Rail: 32mm [Dia], 304 Satin Stainless Steel  
 Fixings: Included  
 Finish: Matte Black Anti-Bacterial  
 White Anti-Bacterial  
 Chrome Plated Stainless  
 SWL: 150kg



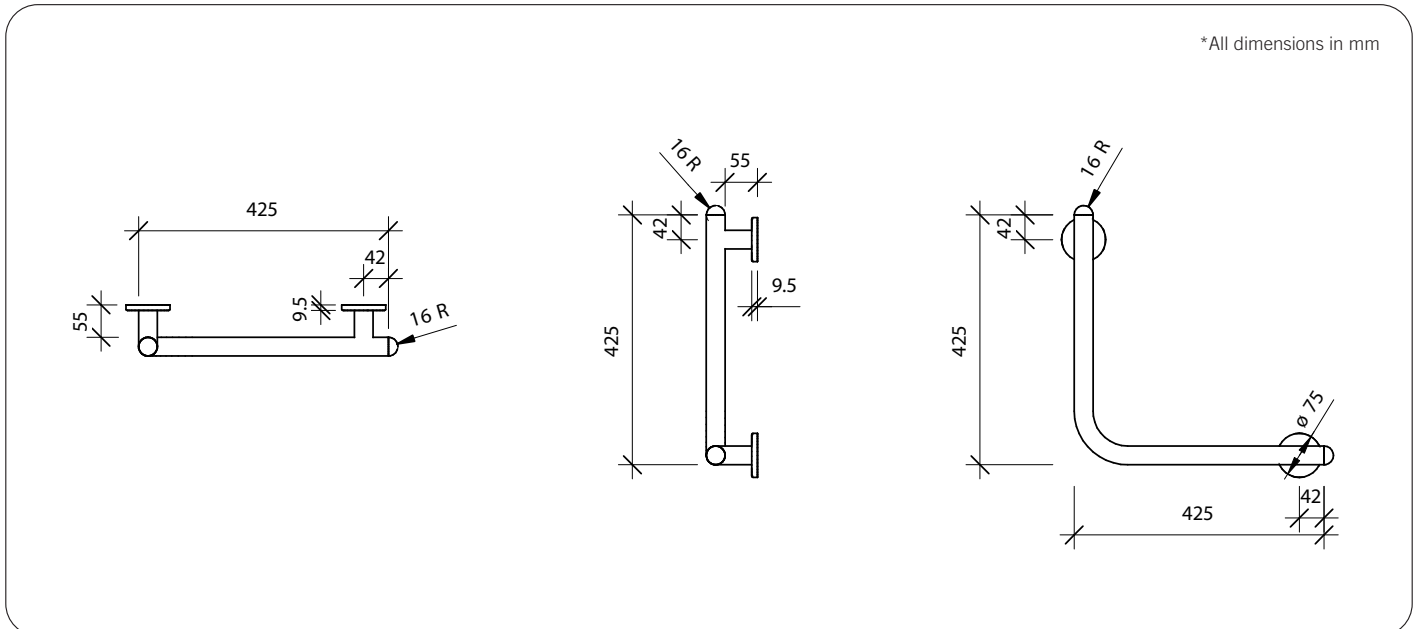
### Available Models

- RBA4601-018** Raffaello 90° Grab Rail | Matte Black [pictured]
- RBA4601-011** Raffaello 90° Grab Rail | White
- RBA4601-019** Raffaello 90° Grab Rail | Chrome Plated Stainless

### Installation

Warning: Grab rails are no stronger than the anchors or walls to which they are attached and must be firmly secured in order to support the loads for which they are intended. Refer local codes and Installation Instructions for location of fixing points, method of attachment, etc.

**Important:** Installation instructions and current rough-in details should be furnished with each fixture. Do not rough in without certified dimensions. Dimensions are subject to manufacturer's tolerance of +/-10mm.



Global-Mark.com.au®  
 Sourced/ Supplied under OMS

As improvements in the design and performance of RBA products are continuous, specifications may be subject to change without notice. The illustrations and descriptions herein are applicable to production as of the date of this Technical Data Sheet. Revised 06/21 © 2021 by RBA Group TD/Model RBA4601-018/0621