

## Model RBA4150-102



### Materials & Features

Matte Black stainless steel & white polyurethane backrest meets the requirements of AS1428.1-2009 and can withstand an applied force of 1100N in any direction when installed correctly. Backrest is site adjustable upon installation to ensure accurate location. The bracket cover conceals the fixings.

### Technical Detail

Rail: 32mm [Dia], 304 Stainless Steel, Matte Black  
 Backrest: White polyurethane, 40mm thick  
 Fixings: By others

### Available Model

**RBA4150-102** Accessible Compliant Backrest, with Matte Black rails

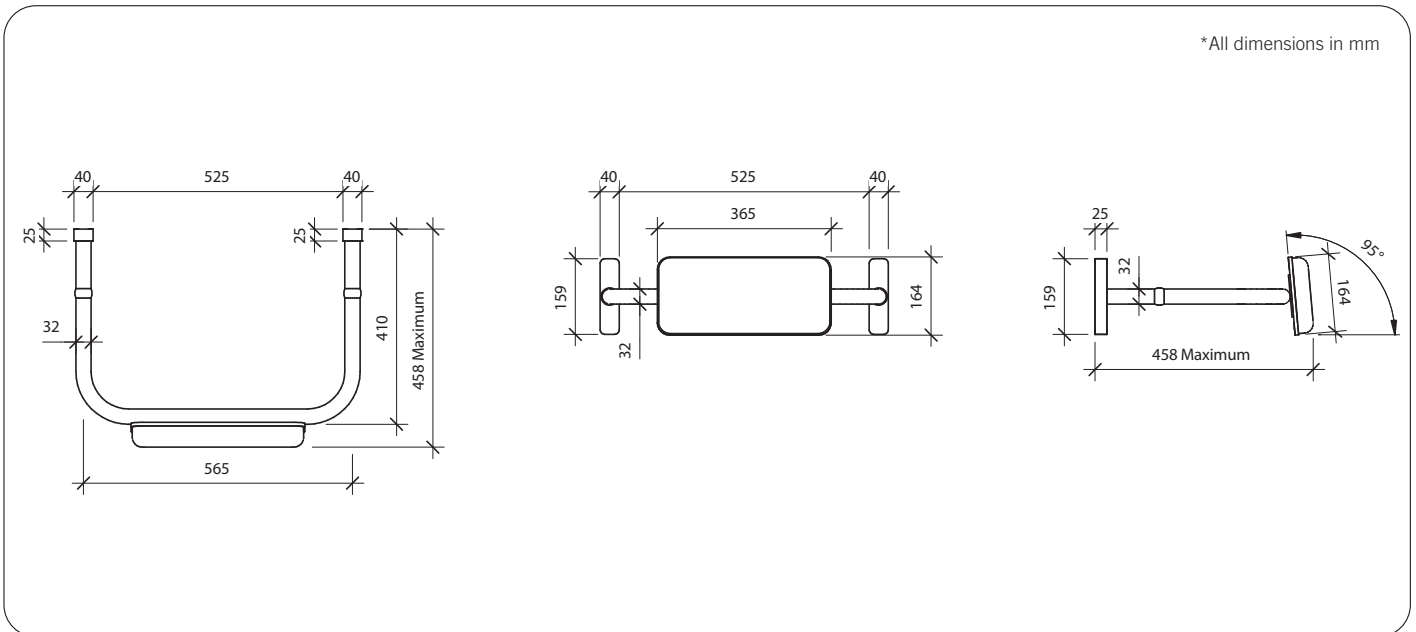
### Related Products

- RBA4150-101** Accessible Compliant Backrest, #304 SSS Rails
- RBA4601-178** 90° LH Accessible Grab Rail | Matte Black
- RBA4600-018** Raffaello Straight Rail | Matte Black | 366MM

### Installation

Warning: Grab rails are no stronger than the anchors or walls to which they are attached and must be firmly secured in order to support the loads for which they are intended. Refer to local codes and Installation Instructions for location of fixing points, method of attachment, etc.

**Important:** Installation instructions and current rough-in details should be furnished with each fixture. Do not rough in without certified dimensions. Dimensions are subject to manufacturer's tolerance of +/-10mm.



As improvements in the design and performance of RBA products are continuous, specifications may be subject to change without notice. The illustrations and descriptions herein are applicable to production as of the date of this Technical Data Sheet. Revised 04/21 © 2021 by RBA Group TD/Model RBA4150-102/0421